

SECTION 3 - MOULDING CATALOG

WHITE BROTHERS MILL - NEW PROFILES CATALOG

MOULDING PROFILES USED IN THE SAN FRANCISCO BAY AREA



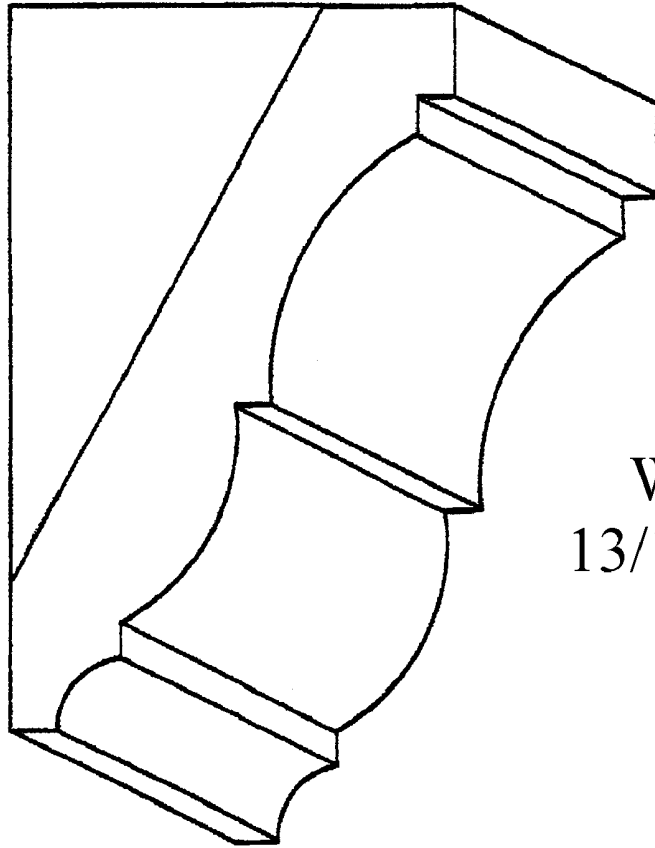
WHITE BROTHERS MILL

MANUFACTURER OF MOULDINGS & MILLWORK
SERVING THE BAY AREA SINCE 1872

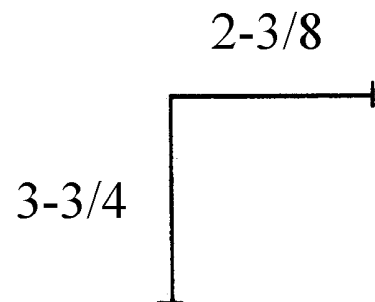
2022 CATALOG

WWW.WHITEBROTHERSMILL.COM

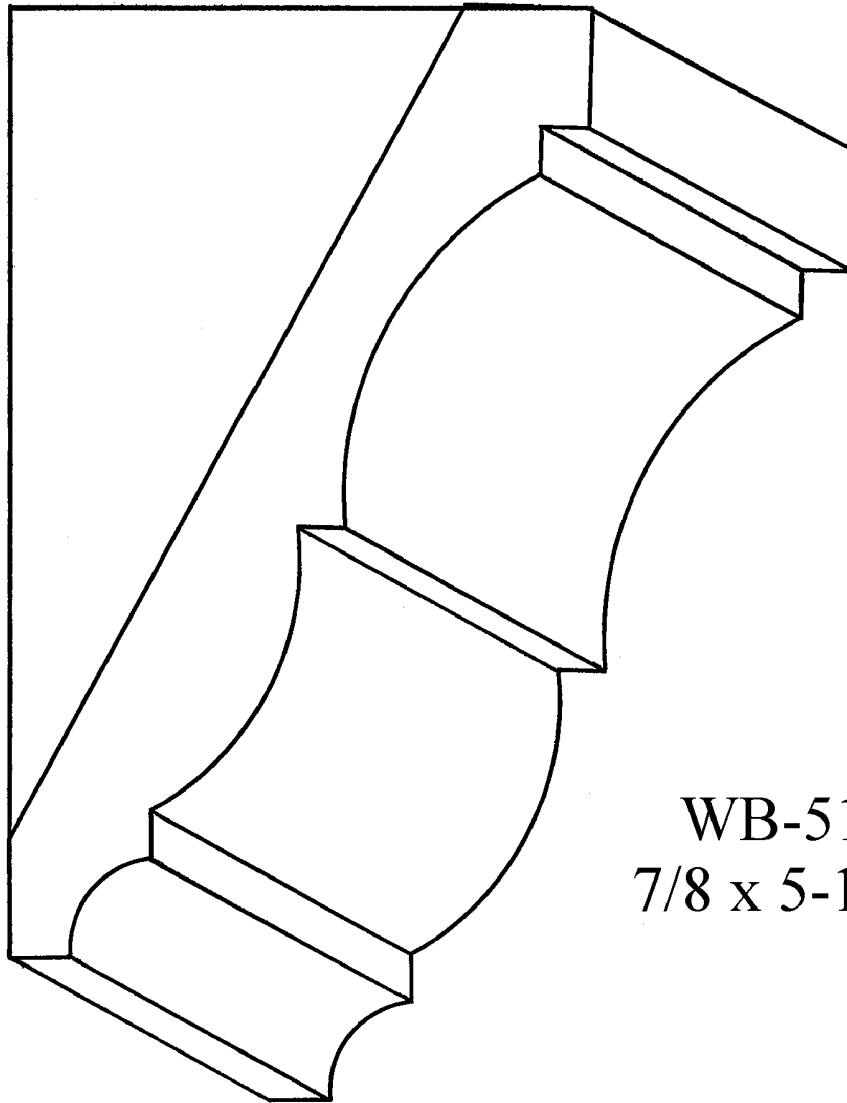
CEILING DETAIL



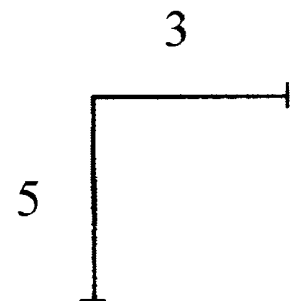
WB-5101
13/16 x 4-7/16



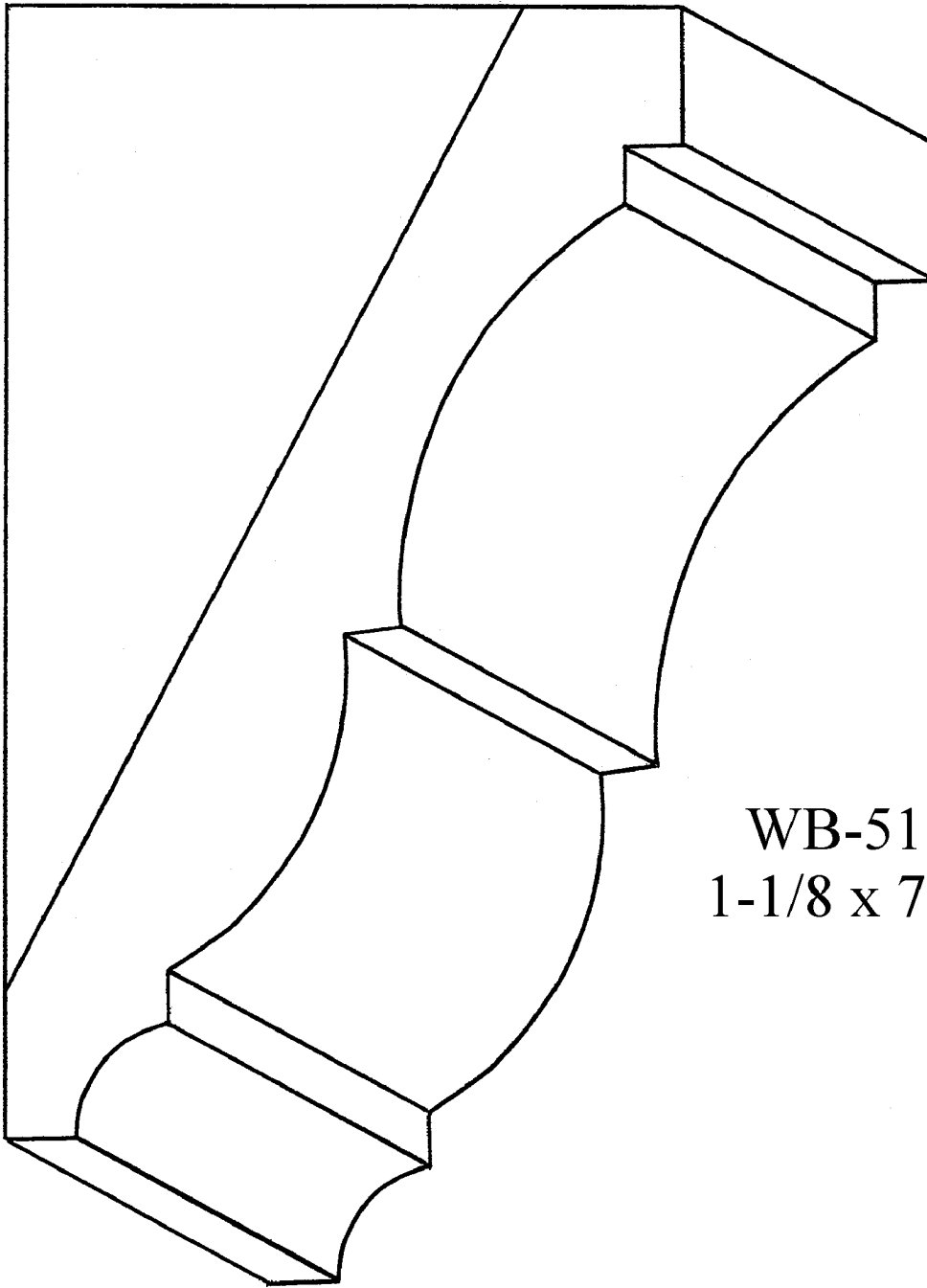
CEILING DETAIL



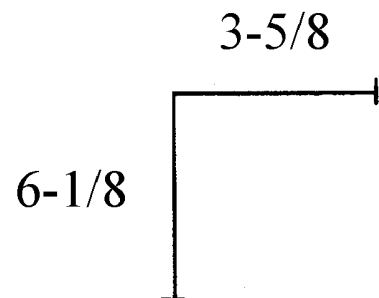
WB-5102
7/8 x 5-13/16



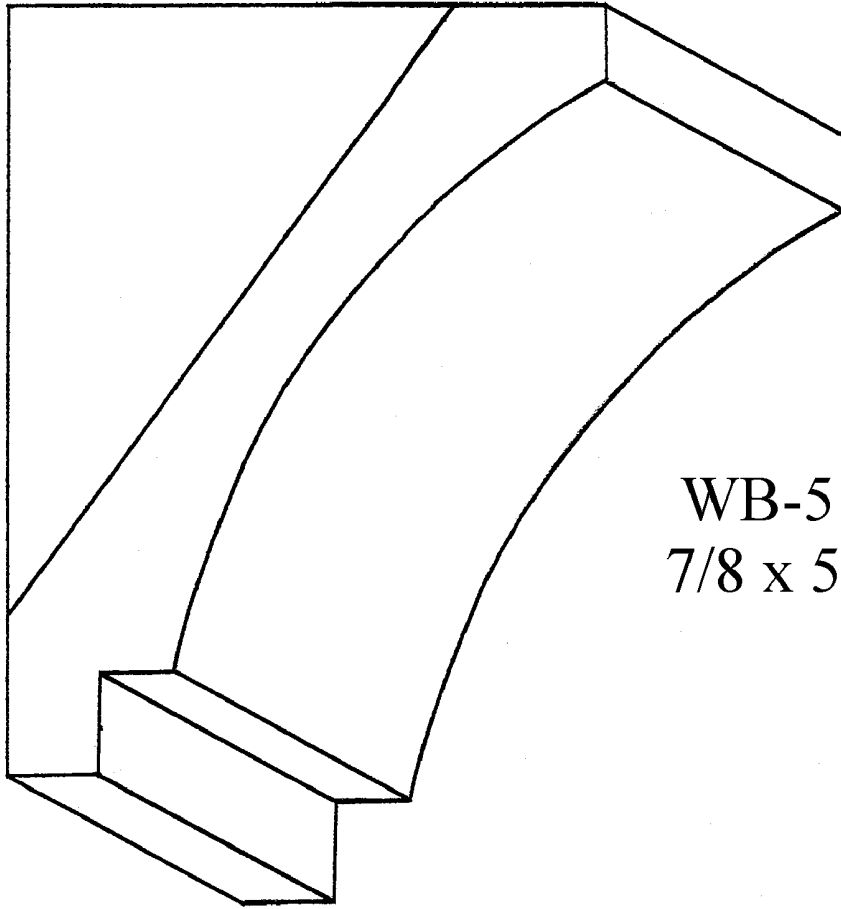
CEILING DETAIL



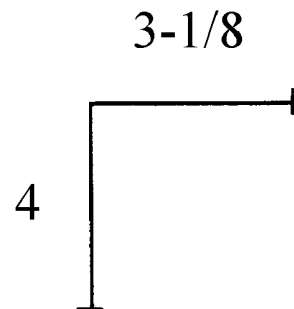
WB-5103
1-1/8 x 7-1/4



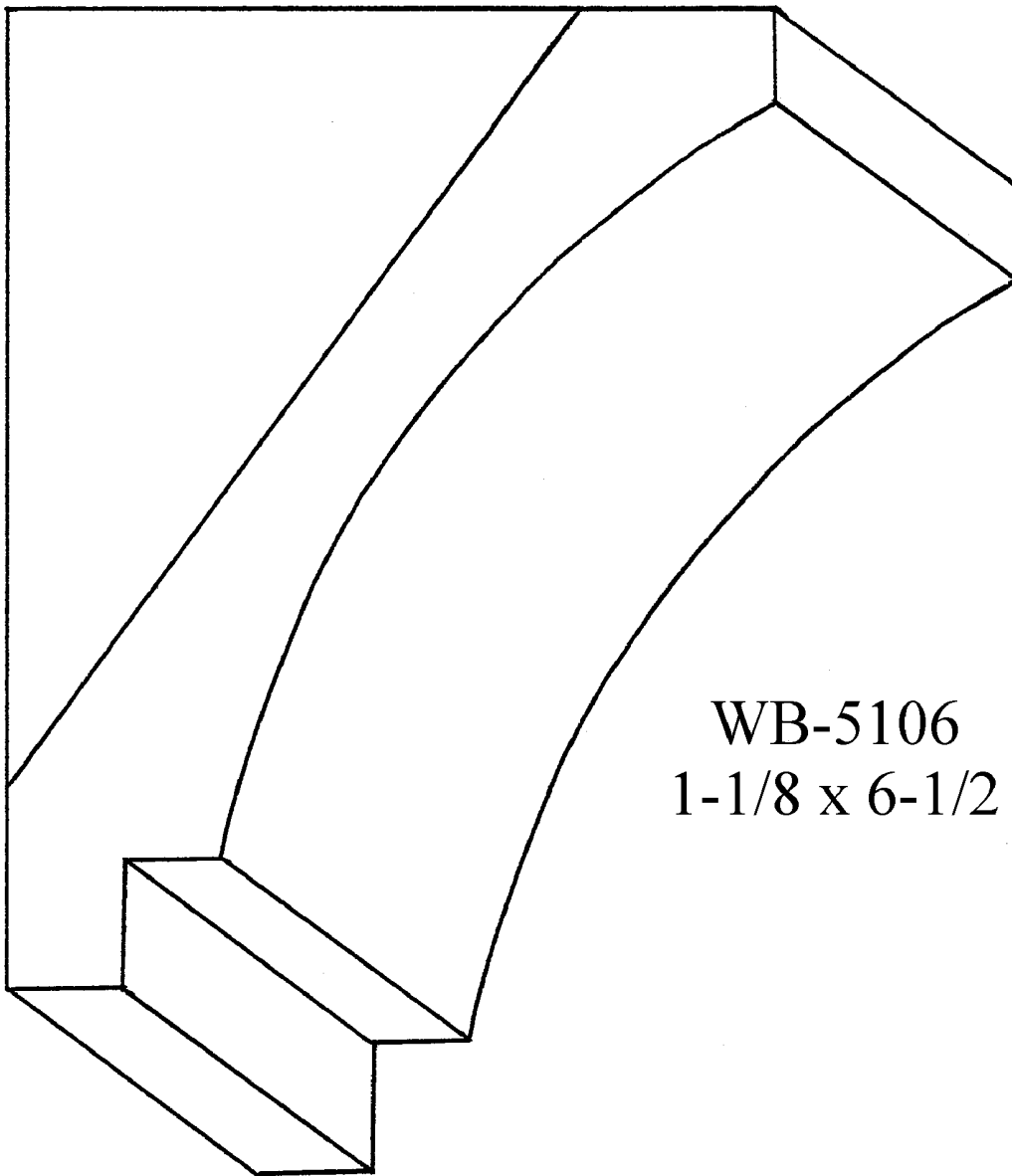
CEILING DETAIL



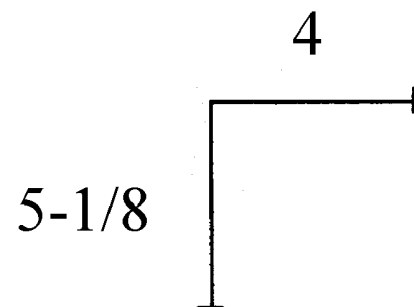
WB-5105
7/8 x 5-1/8



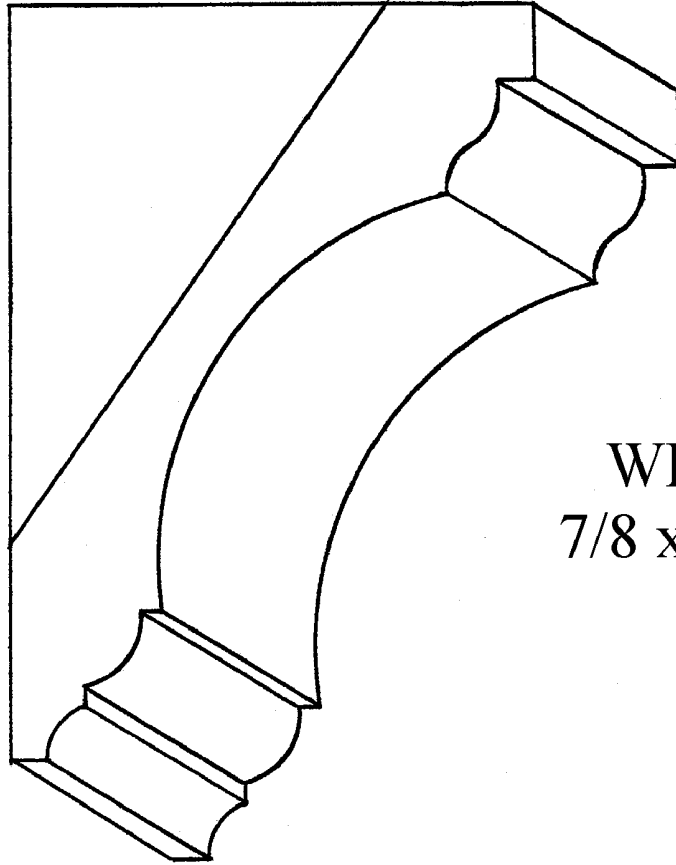
CEILING DETAIL



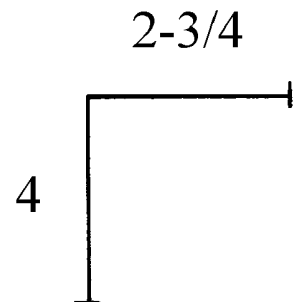
WB-5106
1-1/8 x 6-1/2



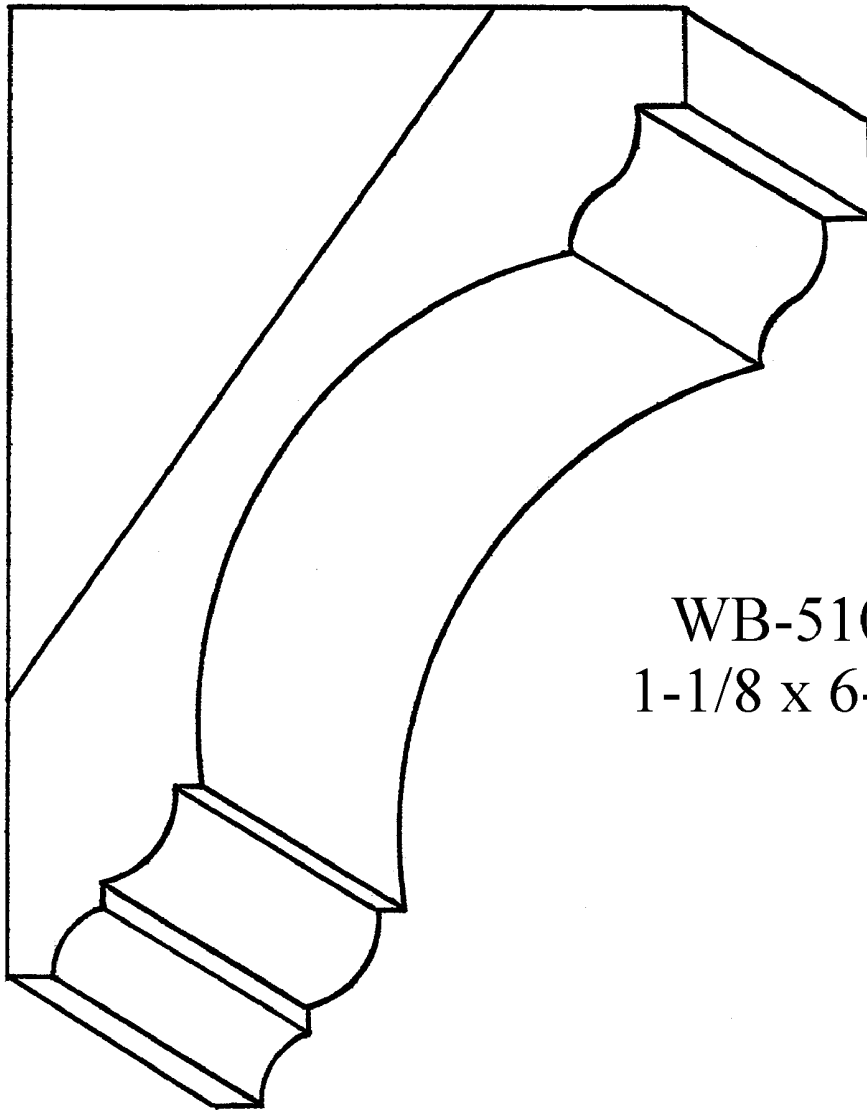
CEILING DETAIL



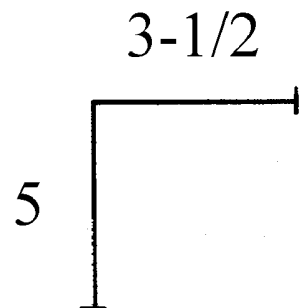
WB-5107
7/8 x 4-13/16



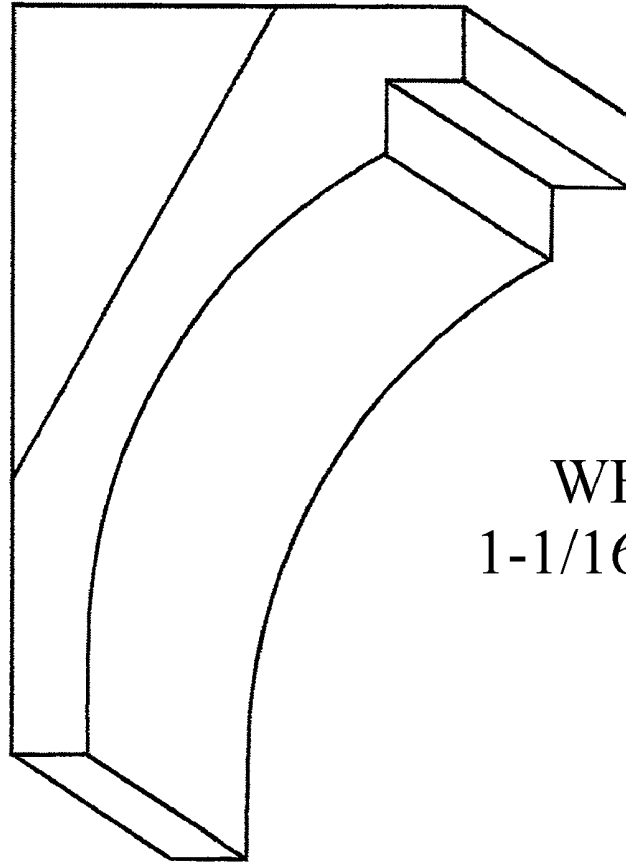
CEILING DETAIL



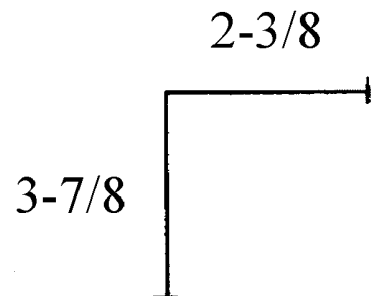
WB-5108
1-1/8 x 6-1/8



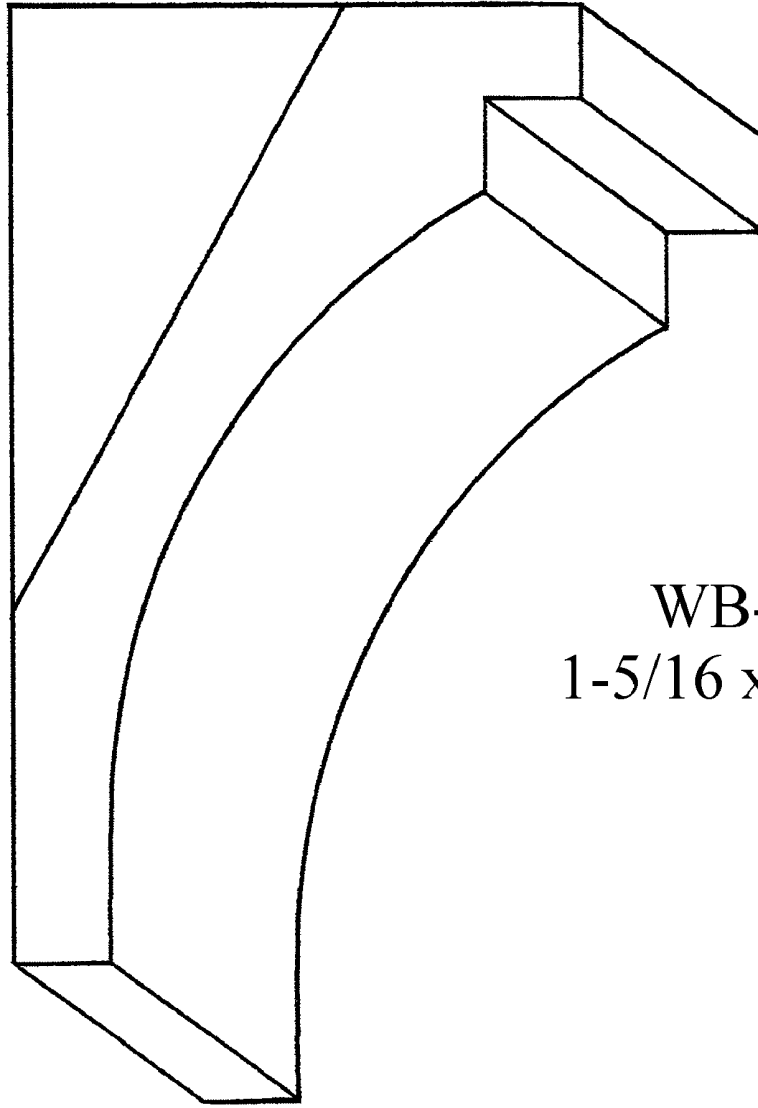
CEILING DETAIL



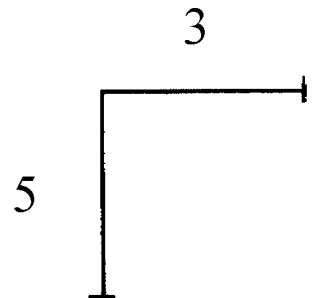
WB-5110
1-1/16 x 4-9/16



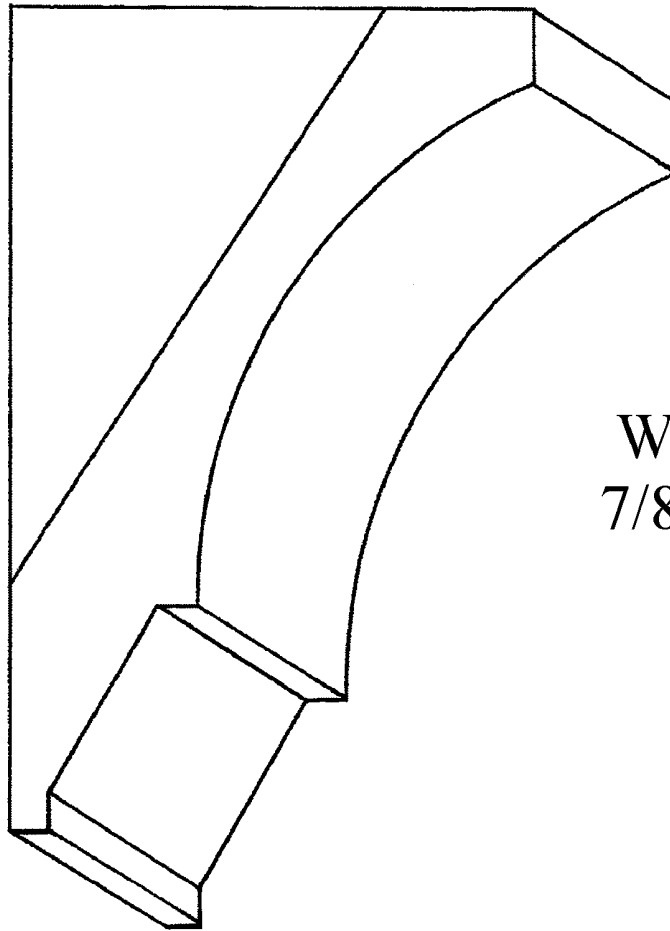
CEILING DETAIL



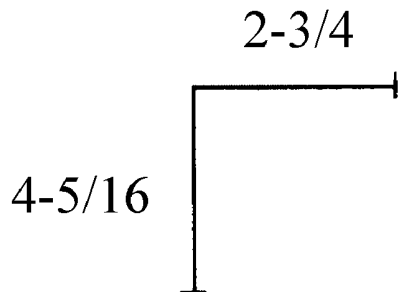
WB-5111
1-5/16 x 5-13/16



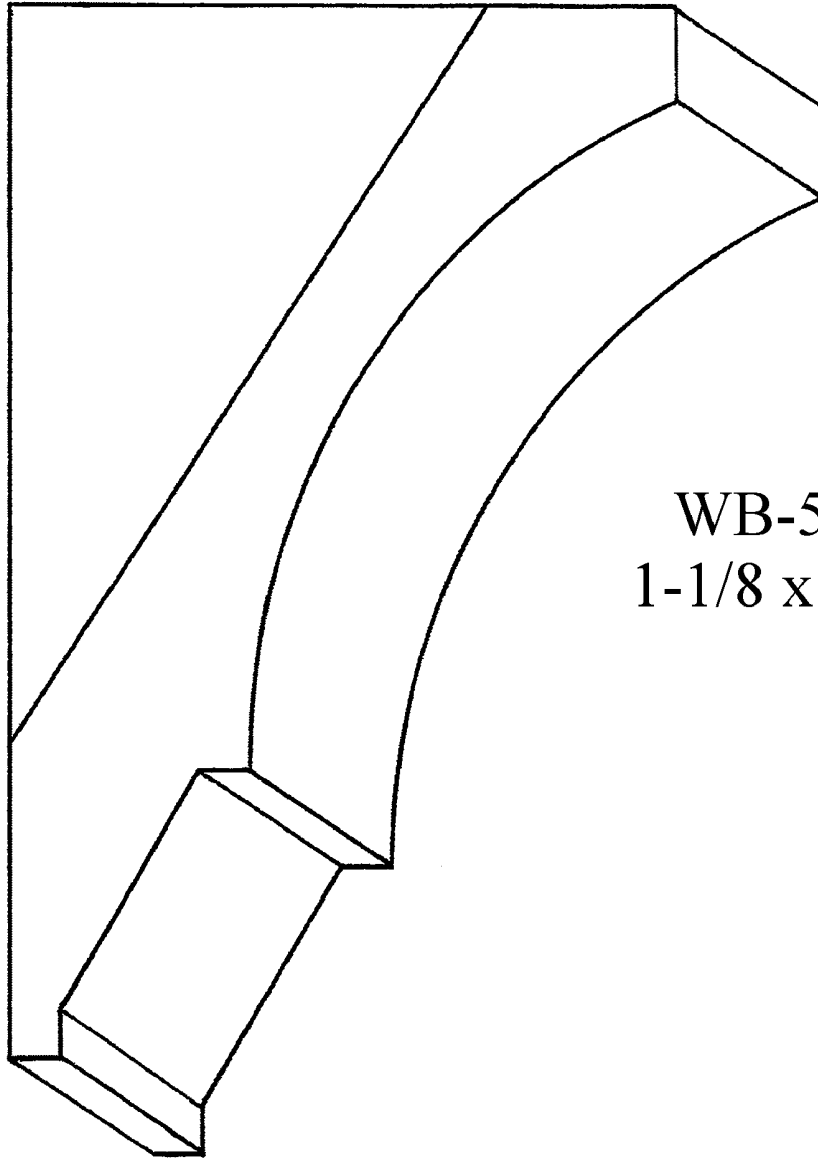
CEILING DETAIL



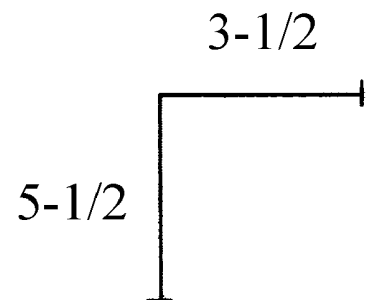
WB-5112
7/8 x 5-1/8



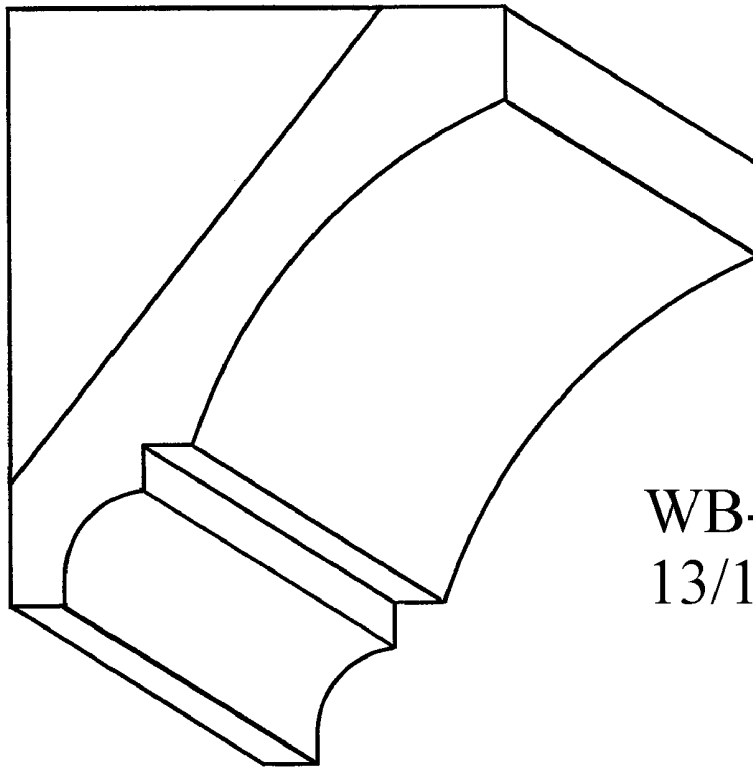
CEILING DETAIL



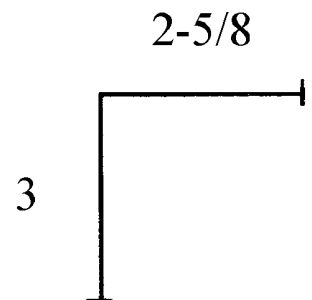
WB-5113
1-1/8 x 6-1/2



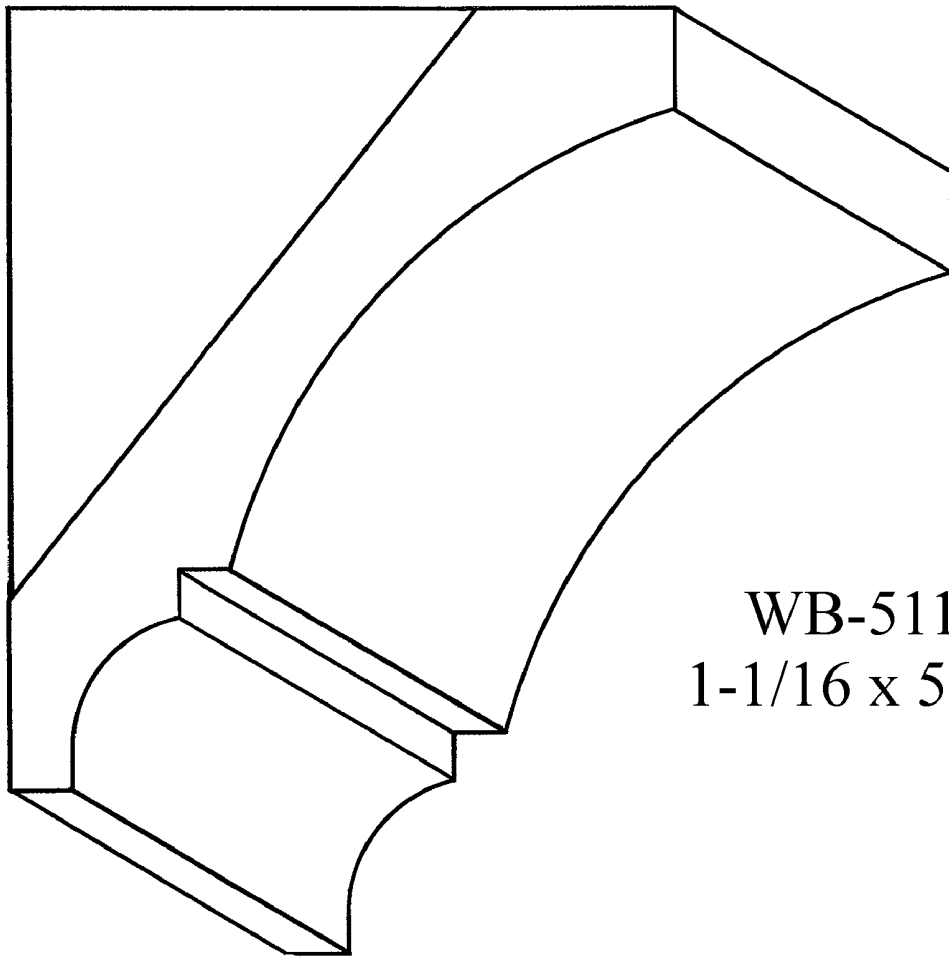
CEILING DETAIL



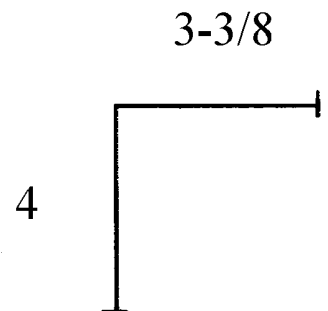
WB-5114
13/16 x 4



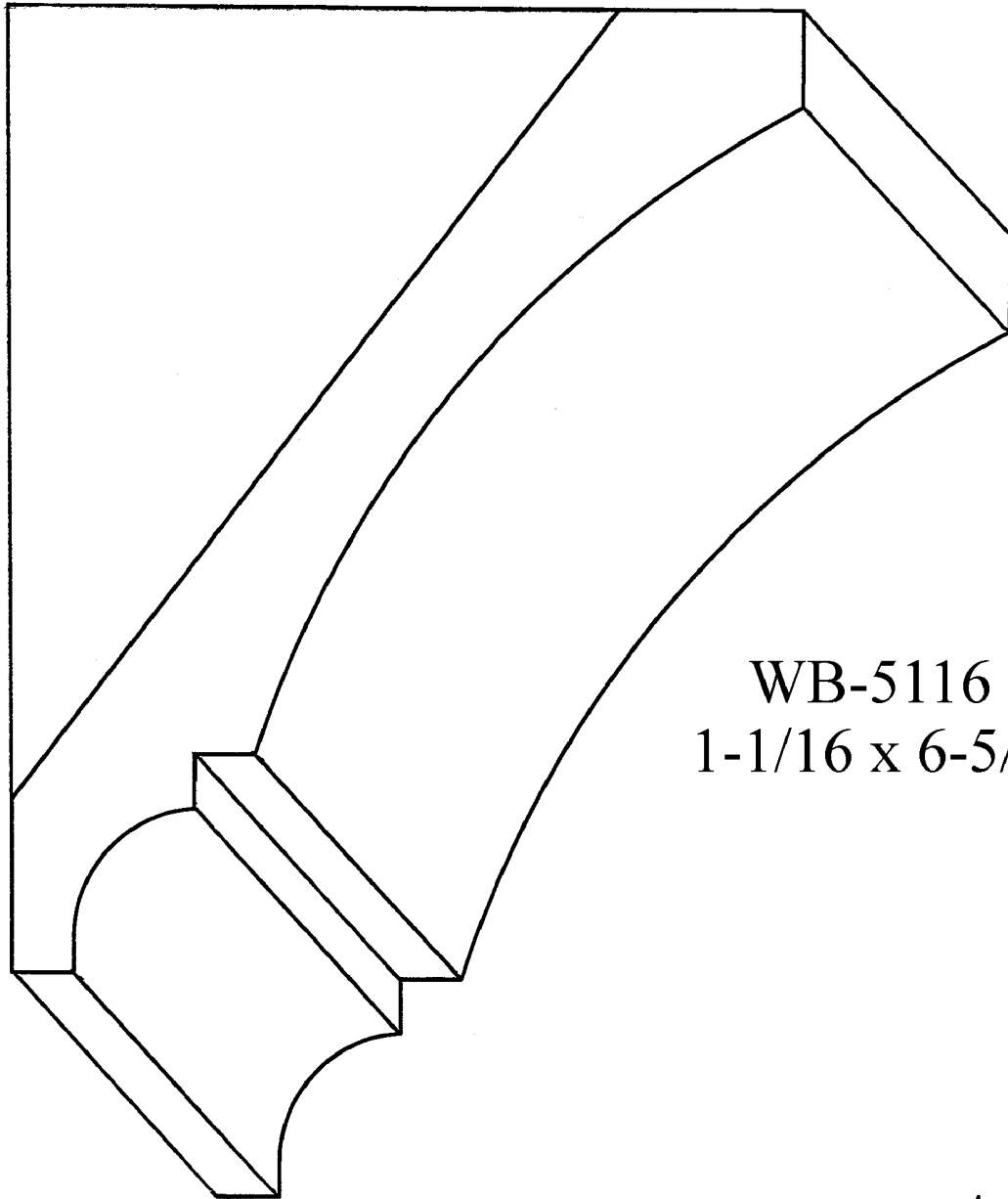
CEILING DETAIL



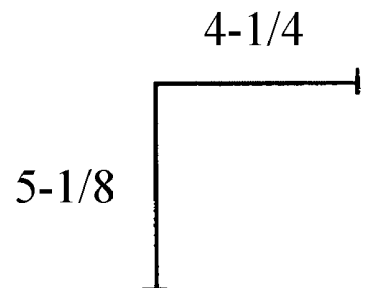
WB-5115
1-1/16 x 5-1/4



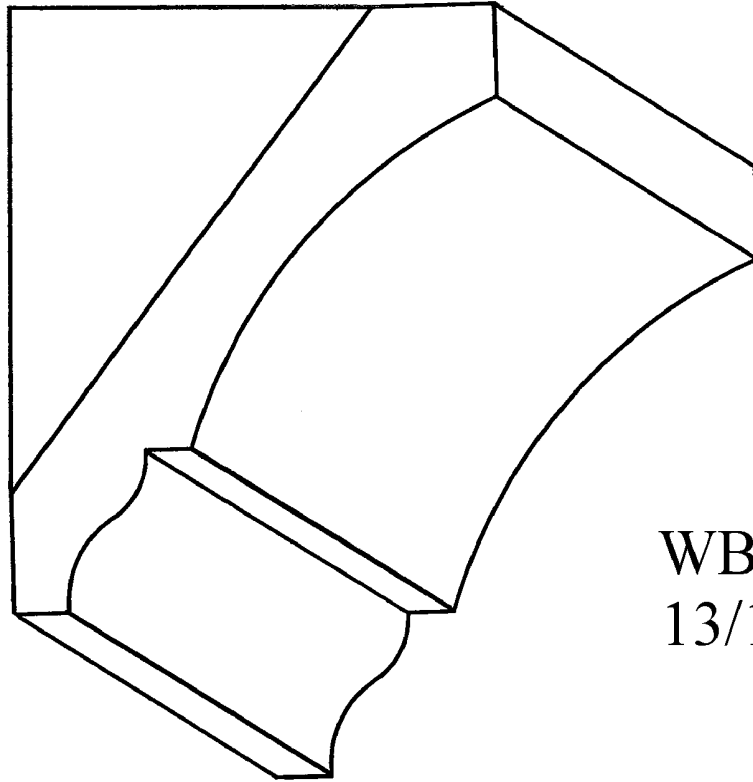
CEILING DETAIL



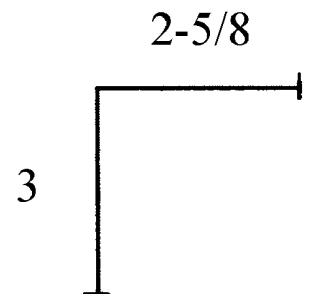
WB-5116
1-1/16 x 6-5/8



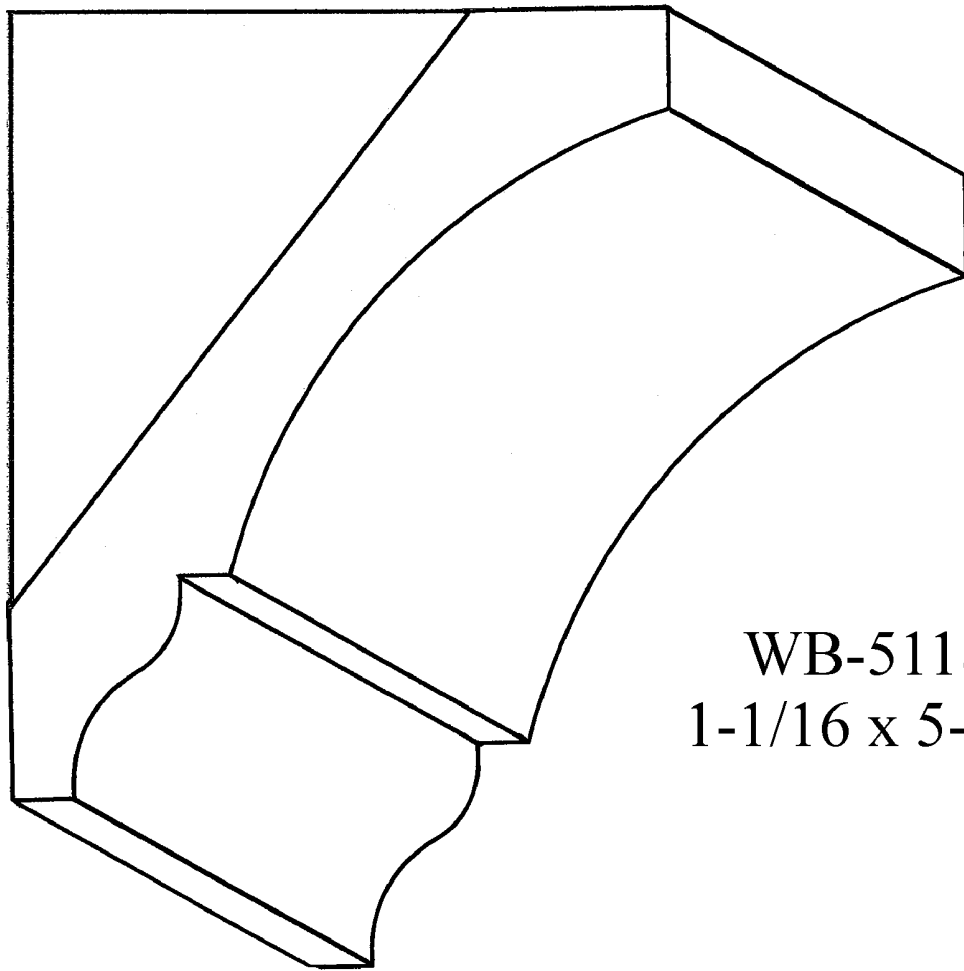
CEILING DETAIL



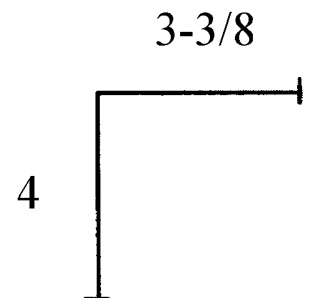
WB-5117
13/16 x 4



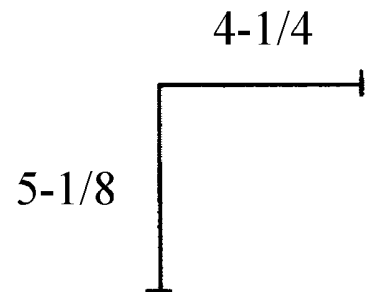
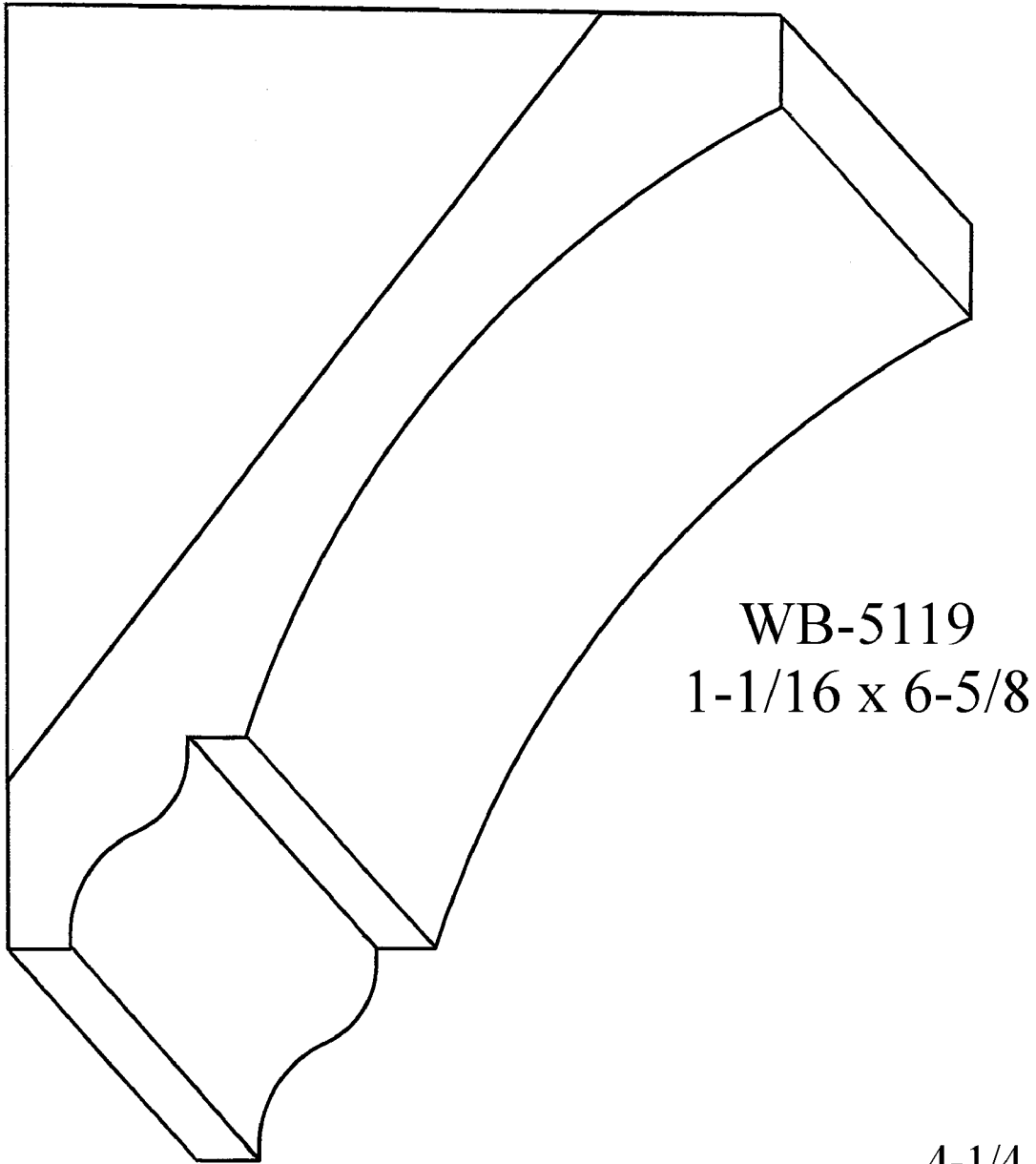
CEILING DETAIL



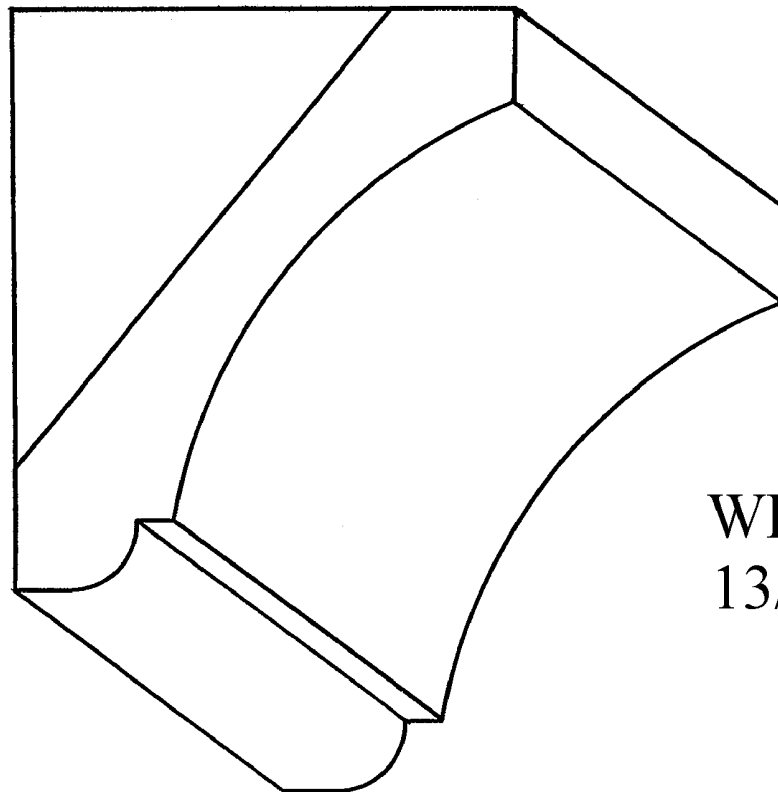
WB-5118
1-1/16 x 5-1/4



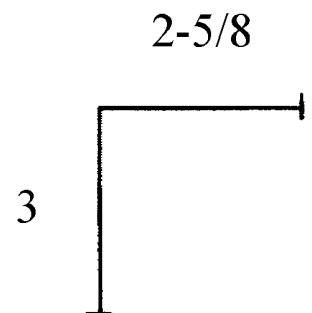
CEILING DETAIL



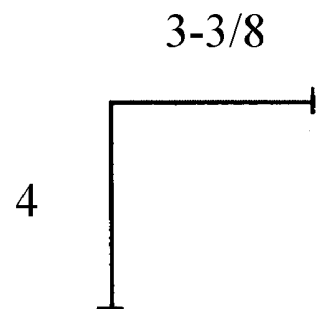
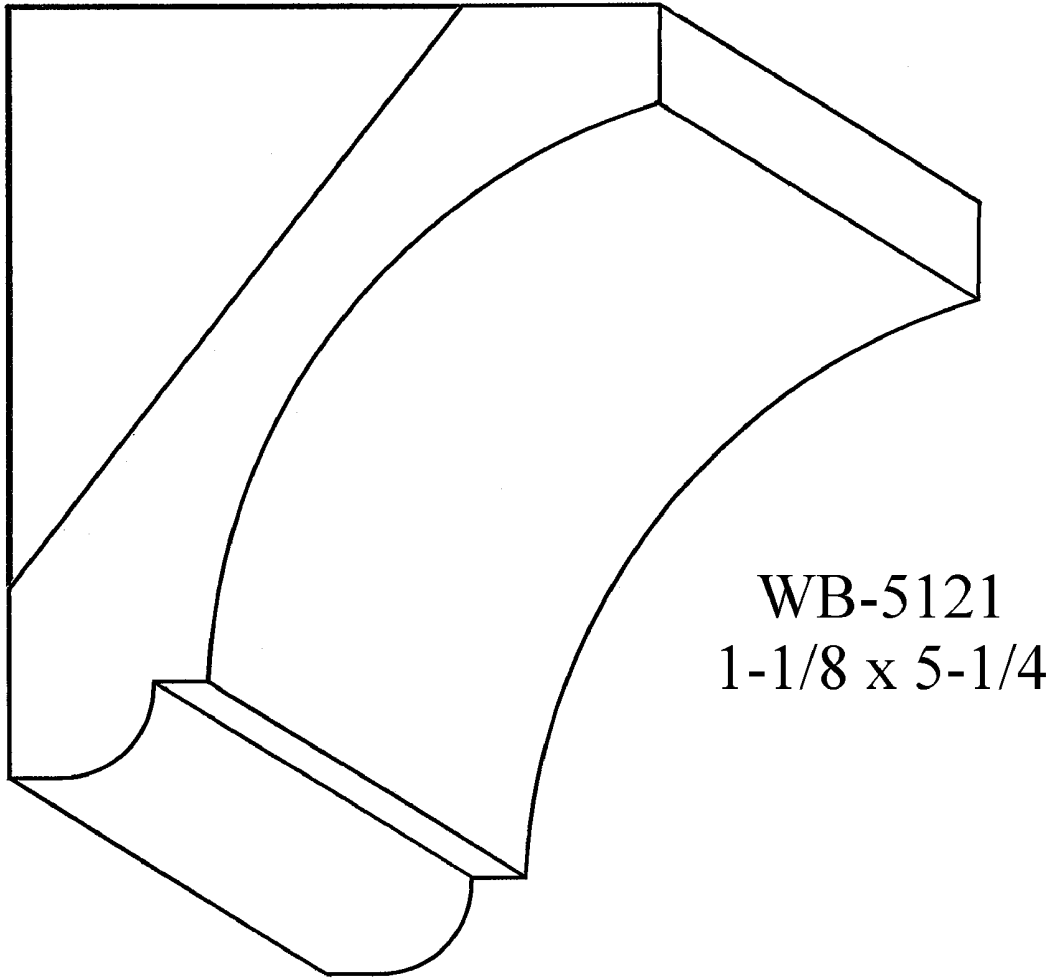
CEILING DETAIL



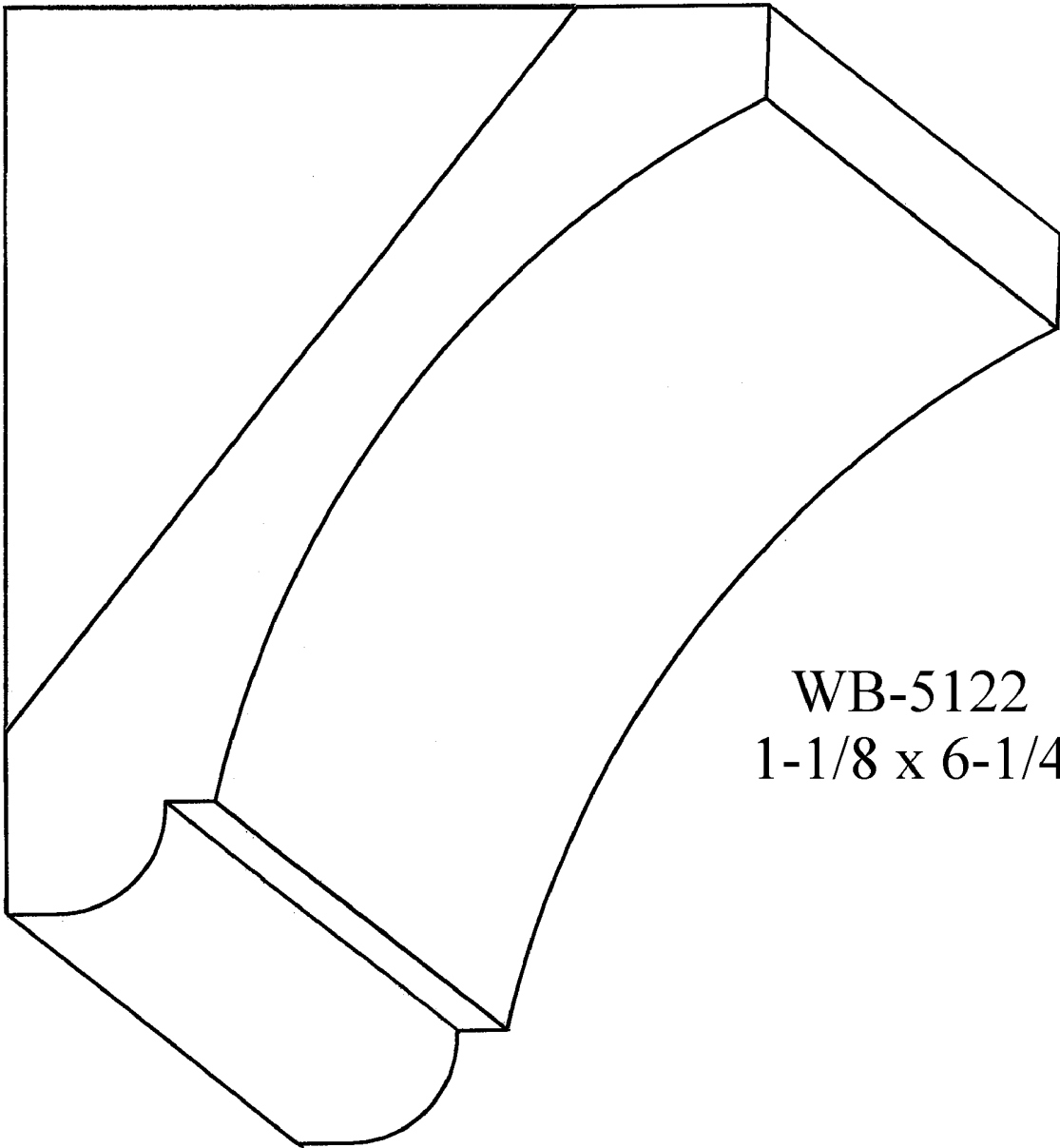
WB-5120
13/16 x 4



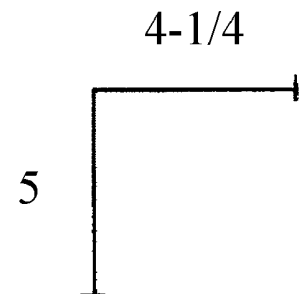
CEILING DETAIL



CEILING DETAIL

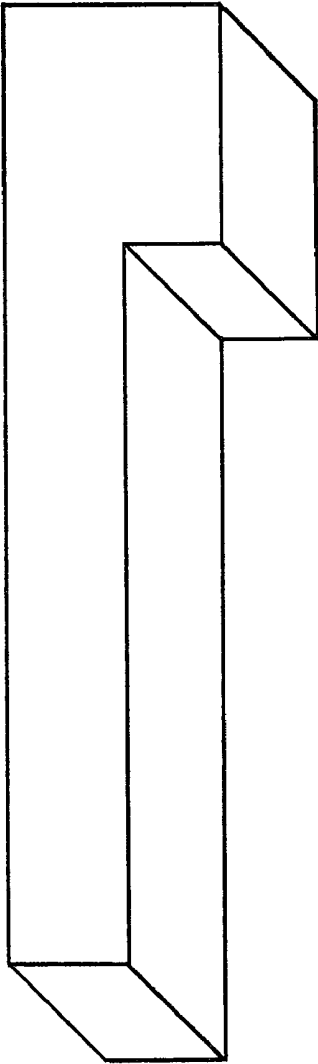


WB-5122
1-1/8 x 6-1/4

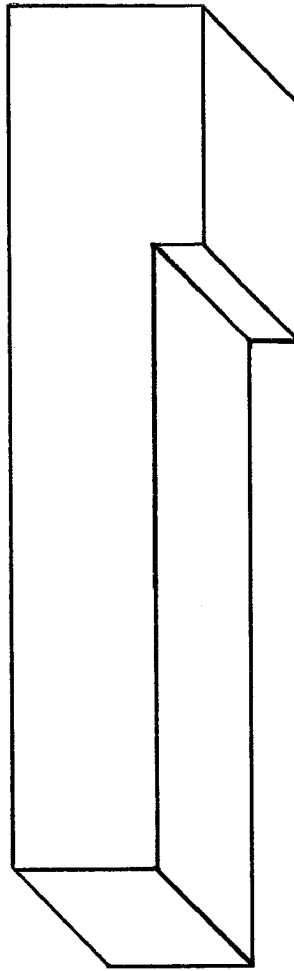


RABBET CEILING PROFILES

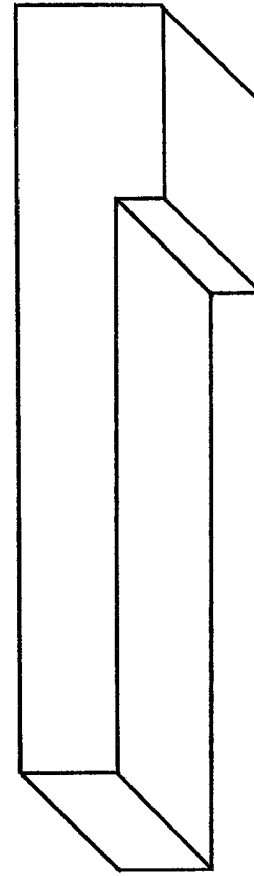
1-1/8 Thick
1/2 Rabbet



1 Thick
1/4 Rabbet



3/4 Thick
1/4 Rabbet



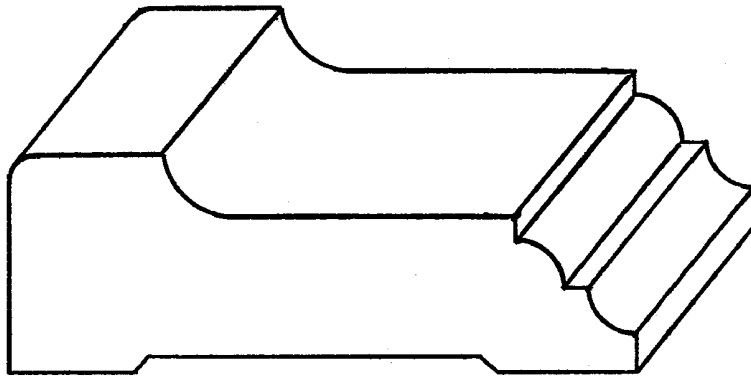
WB-5160 Rabbet Ceiling Profile

When ordering a Rabbet Ceiling Profile, please specify the following

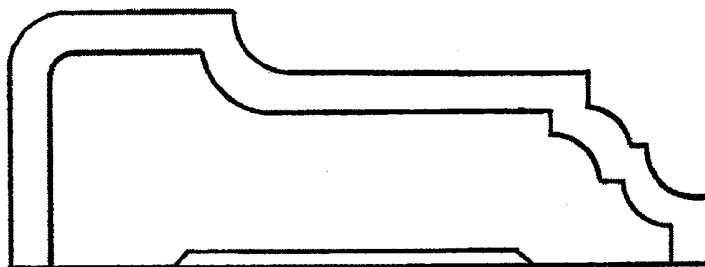
Thickness - Height - Size of Rabbet

Example: 1-1/8" thick - 5" high - 1/2" x 3-3/4" Rabbet

CASING & PLINTH PROFILES

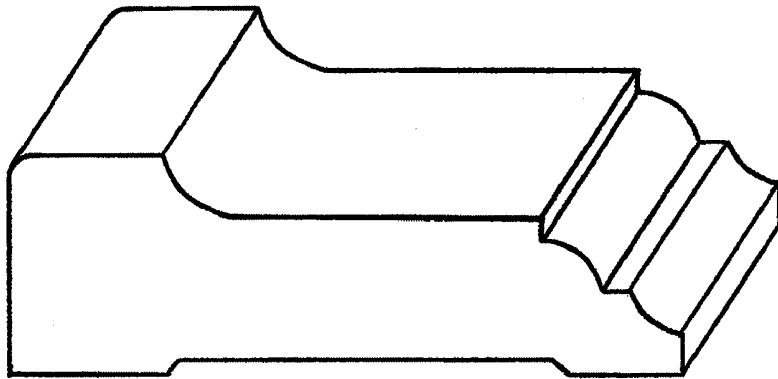


WB-5201
1-1/8 x 3-1/4

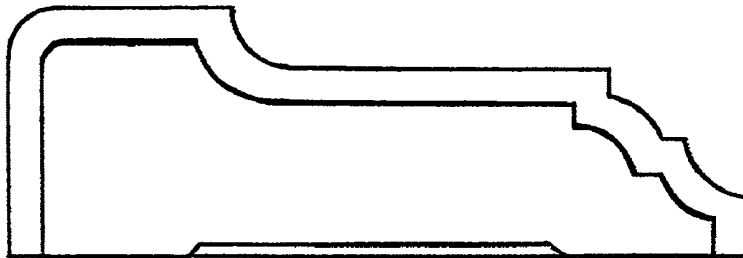


WB-5801
1-5/16 x 3-5/8

CASING & PLINTH PROFILES

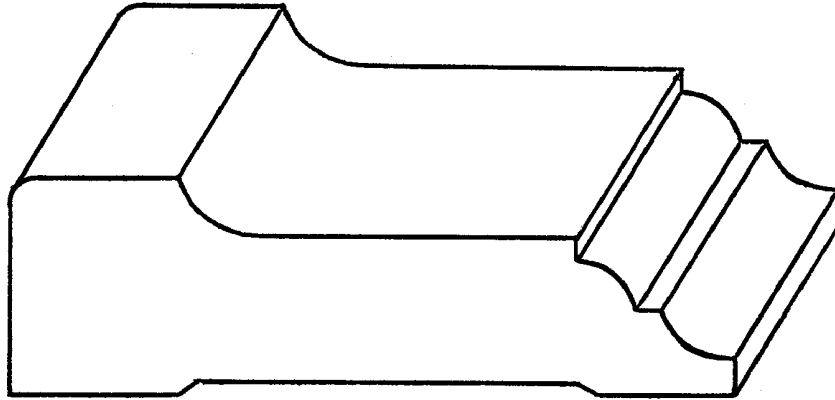


WB-5202
1-1/8 x 3-1/2

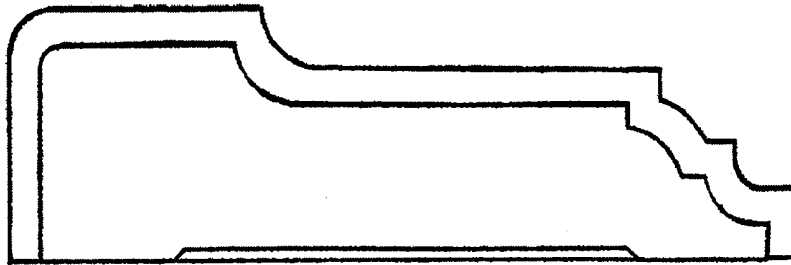


WB-5802
1-5/16 x 3-7/8

CASING & PLINTH PROFILES

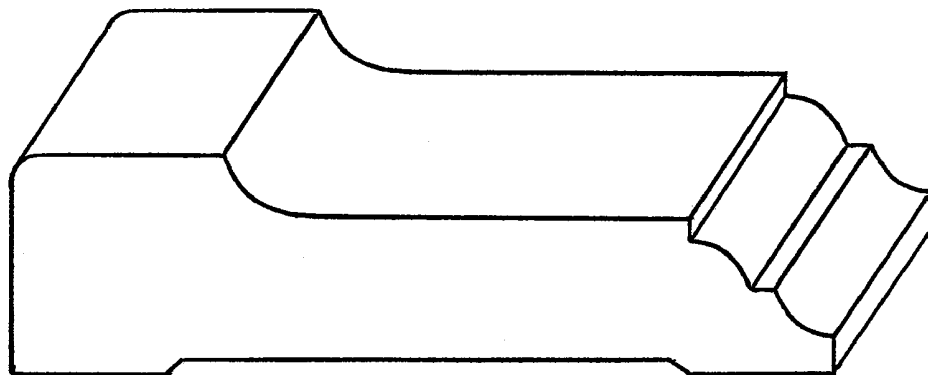


WB-5203
1-1/8 x 3-3/4

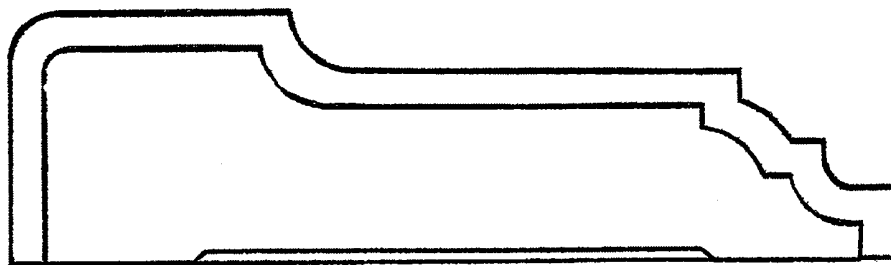


WB-5803
1-5/16 x 4-1/8

CASING & PLINTH PROFILES

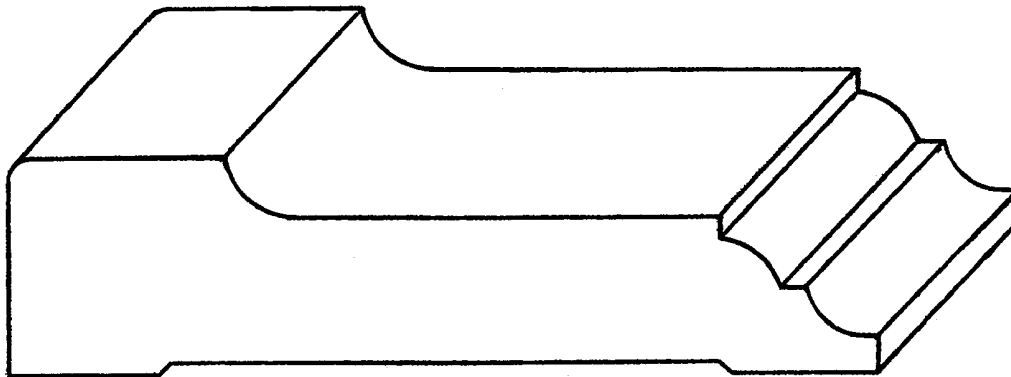


WB-5204
1-1/8 x 4-1/4

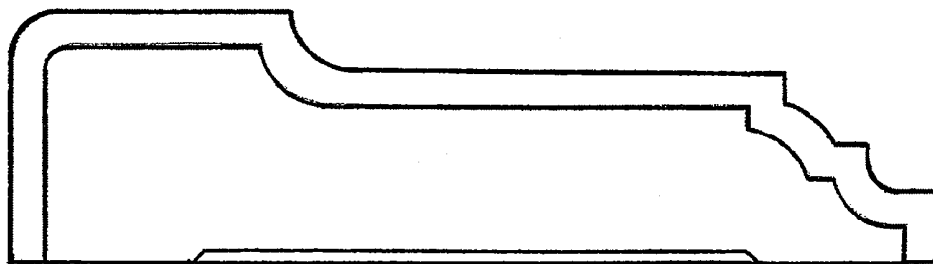


WB-5804
1-5/16 x 4-5/8

CASING & PLINTH PROFILES

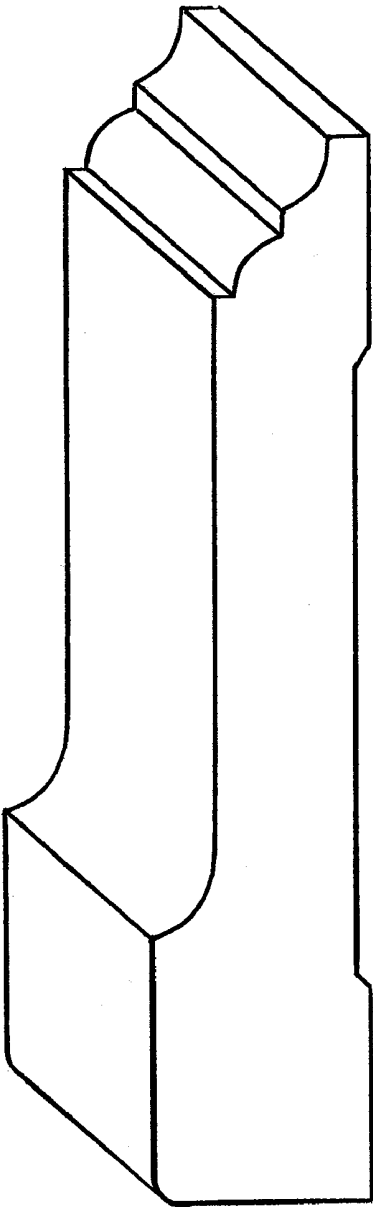


WB-5205
1-1/8 x 4-1/2

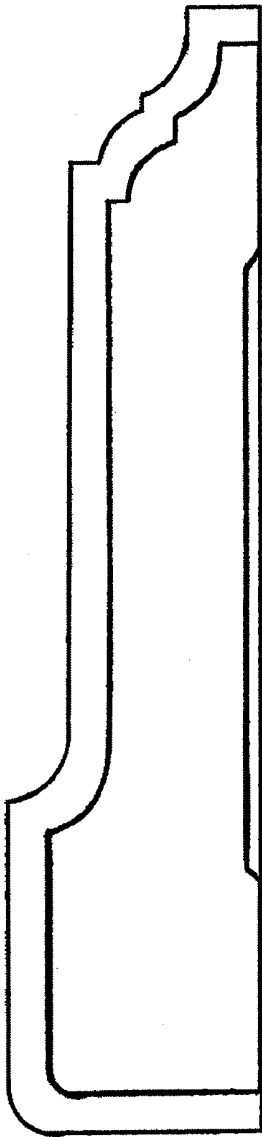


WB-5805
1-5/16 x 4-7/8

CASING & PLINTH PROFILES

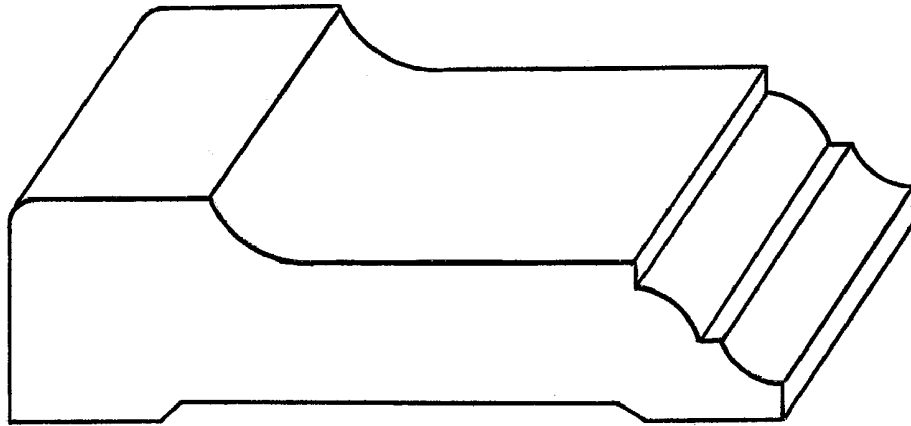


WB-5206
1-1/8 x 5-1/2

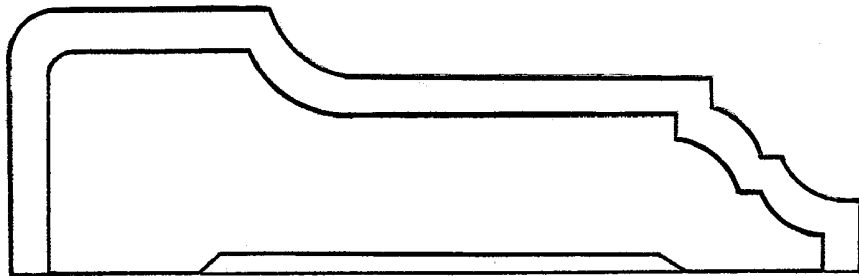


WB-5806
1-5/16 x 5-7/8

CASING & PLINTH PROFILES



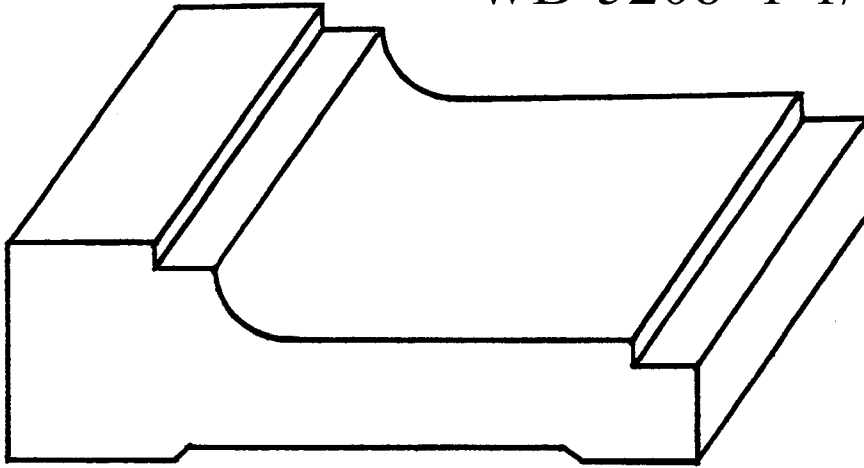
WB-5207
1-1/8 x 4



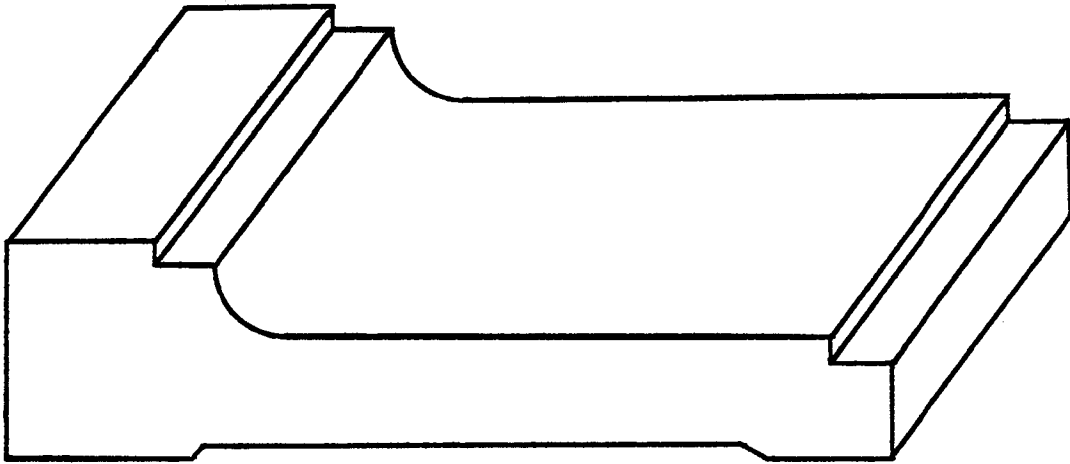
WB-1-5/16 x 4-3/8

CASING PROFILES

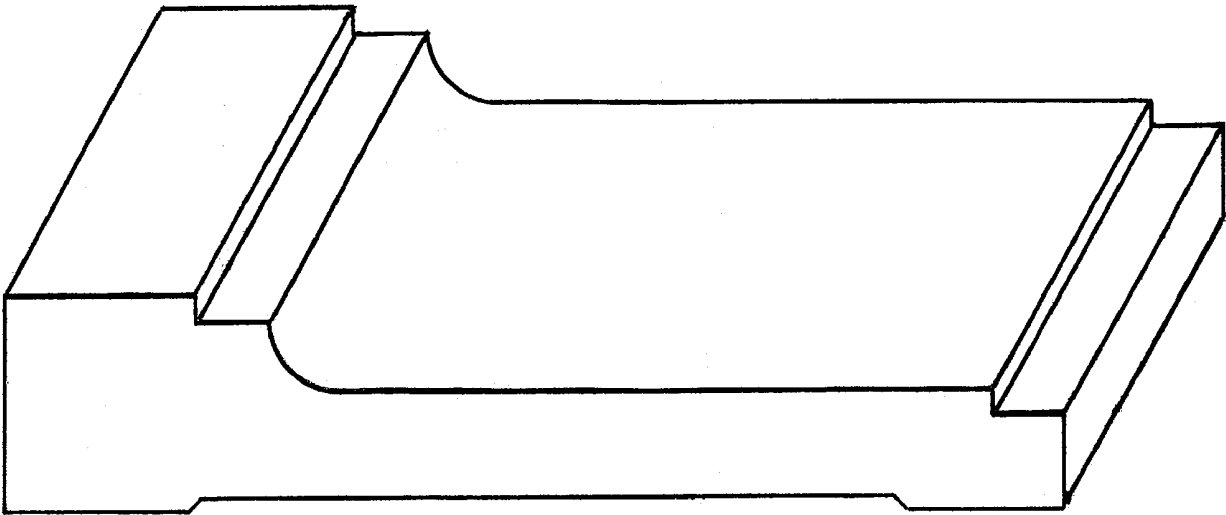
WB-5208 1-1/8 x 3-1/2



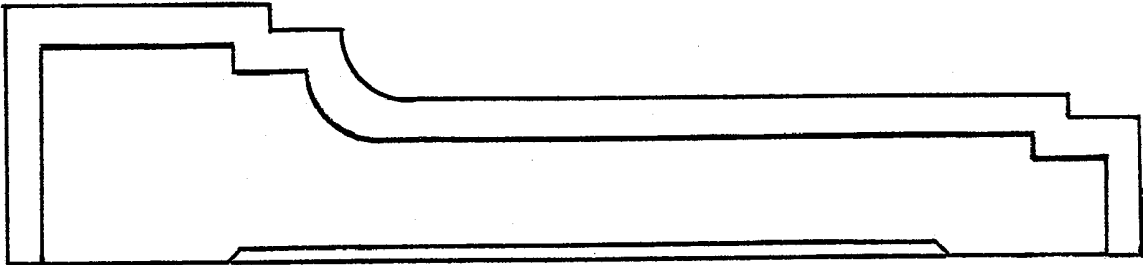
WB-5210 1-1/8 x 4-1/2



CASING & PLINTH PROFILES

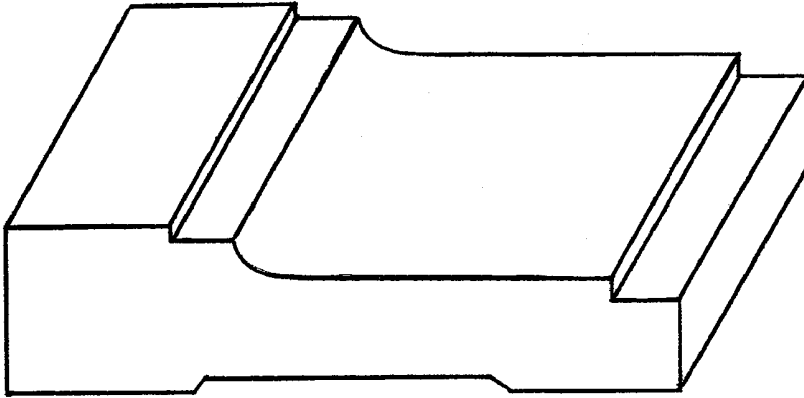


WB-5211
1-1/8 x 5-1/2

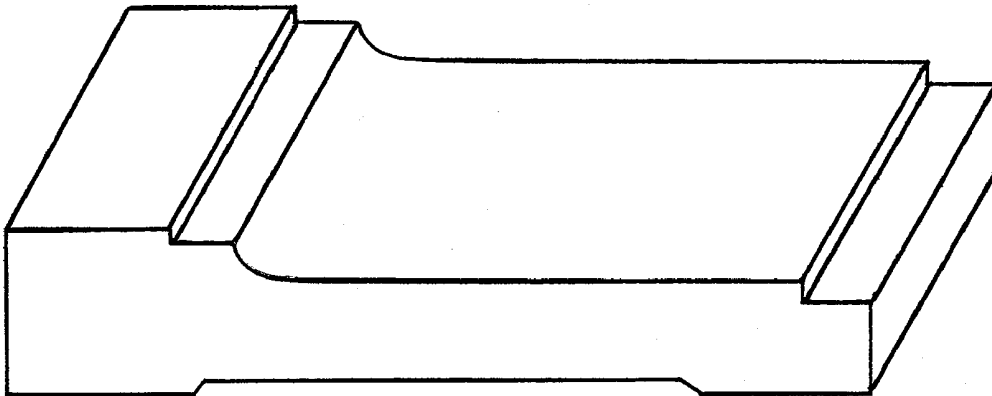


WB-5811
1-5/16 x 5-7/8

CASING PROFILES



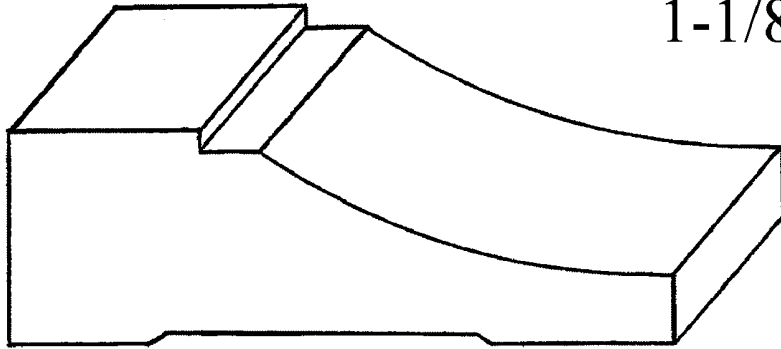
WB-5212
7/8 x 3-1/2



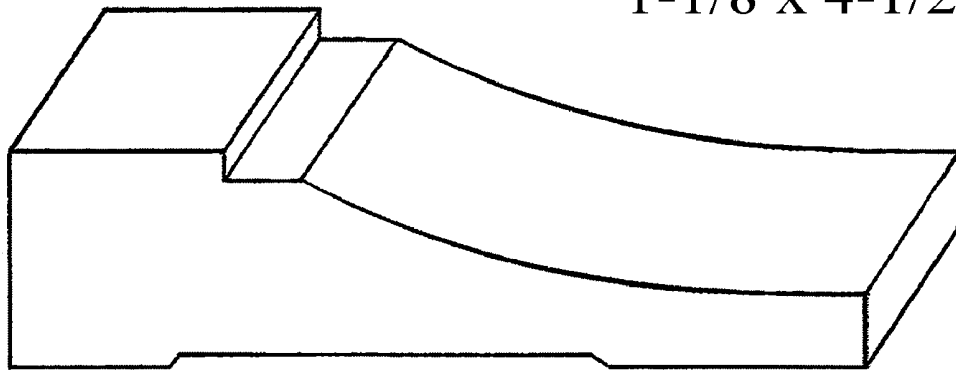
WB-5213
7/8 x 4-1/2

CASING PROFILES

WB-5216
1-1/8 x 3-1/2

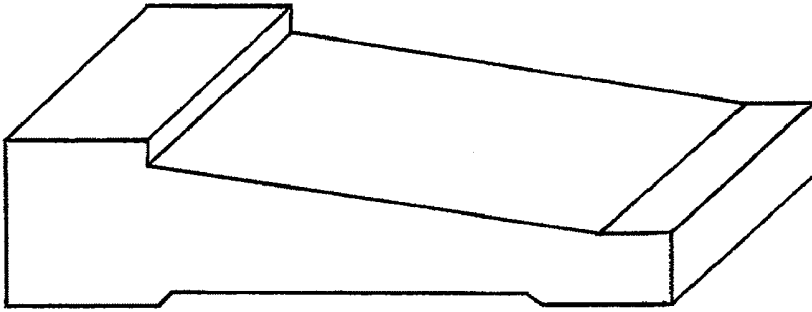


WB-5218
1-1/8 x 4-1/2

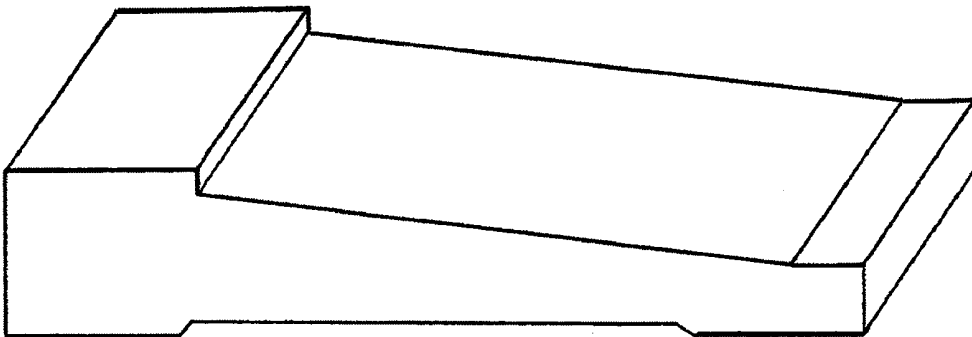


CASINGS PROFILES

WB-5219
7/8 x 3-1/2

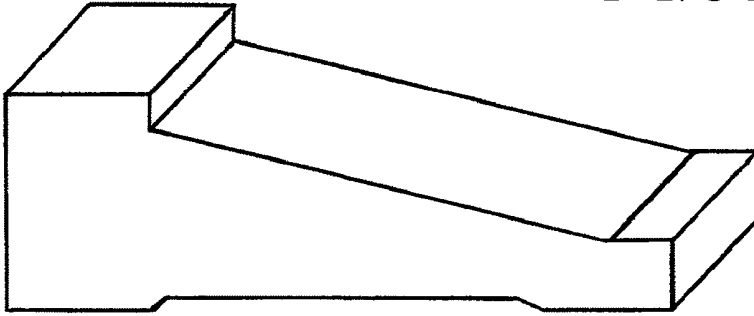


WB-5221
7/8 x 4-1/2

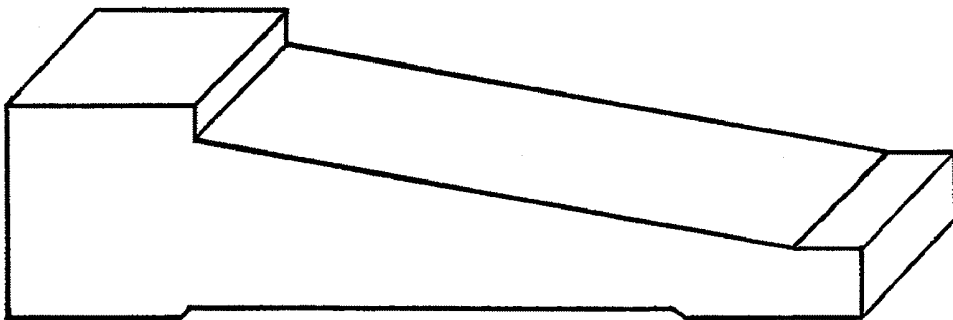


CASING PROFILES

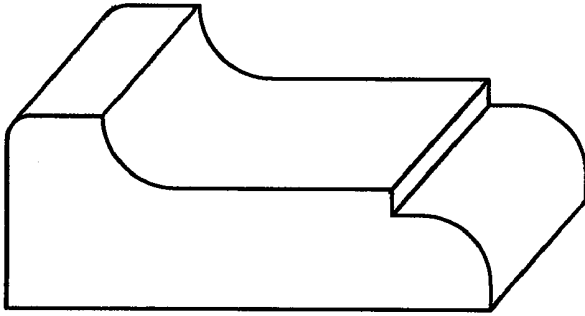
WB-5222
1-1/8 x 3-1/2



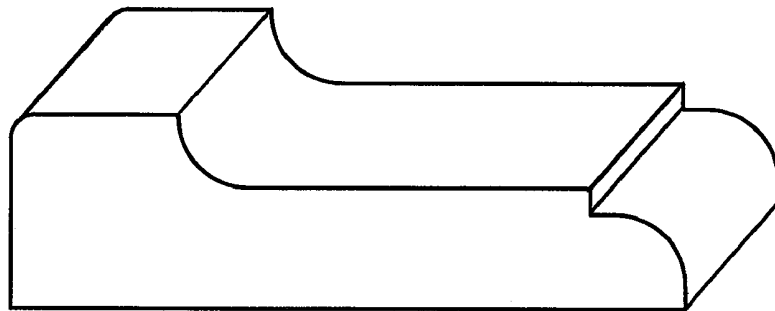
WB-5224
1-1/8 x 4-1/2



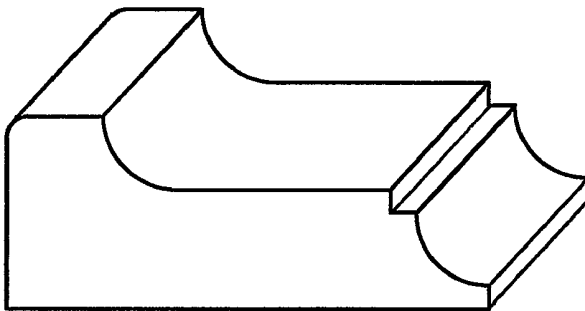
CASING PROFILES



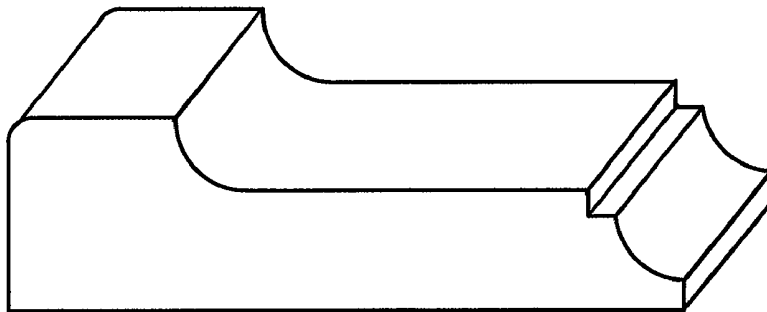
WB-5225
1 x 2-1/2



WB-5226
1 x 3-1/2



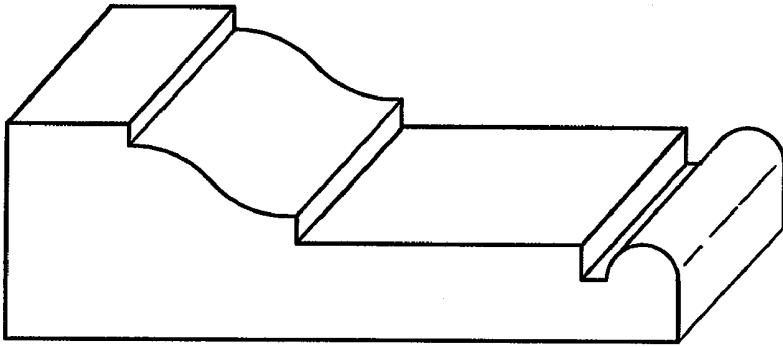
WB-5228
1 x 2-1/2



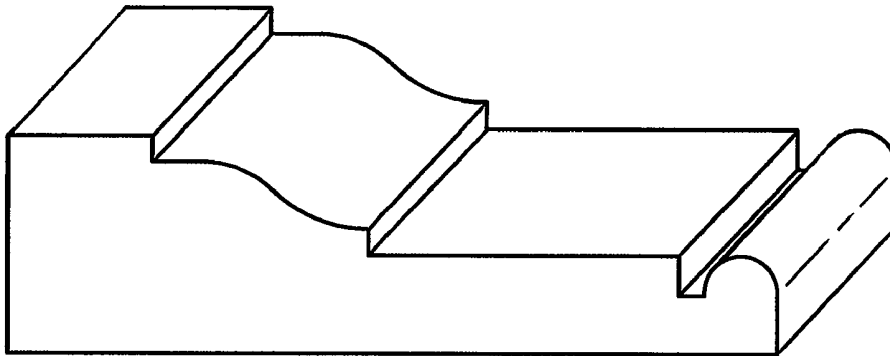
WB-5229
1 x 3-1/2

All Casing Profiles are Milled with Back-Outs

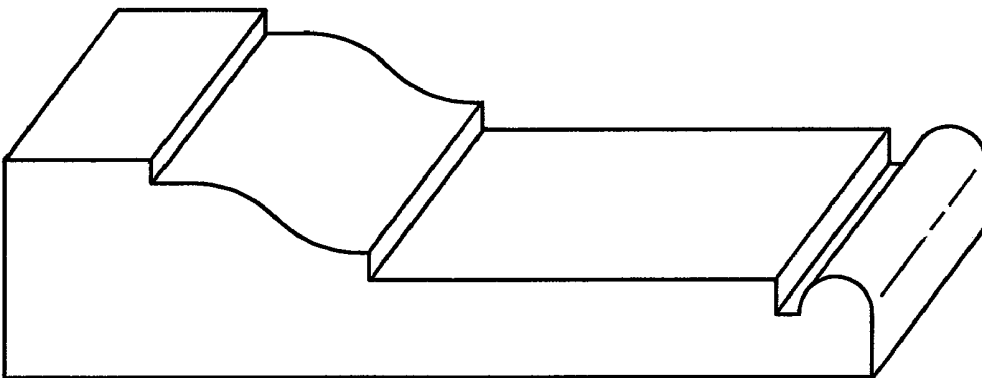
CASING PROFILES



WB-5231 1-1/8 x 3-1/2



WB-5232 1-1/8 x 4

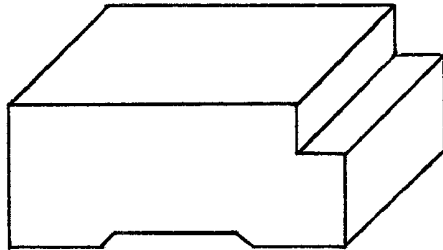


WB-5233 1-1/8 x 4-1/2

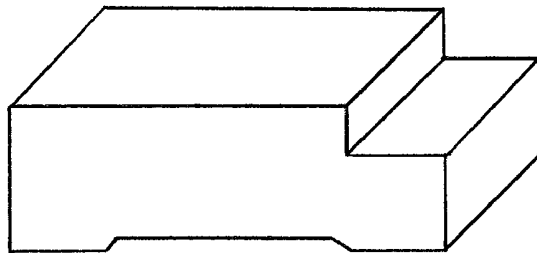
All Casing Profiles are Milled with Back-Outs

RABBET CASING PROFILE

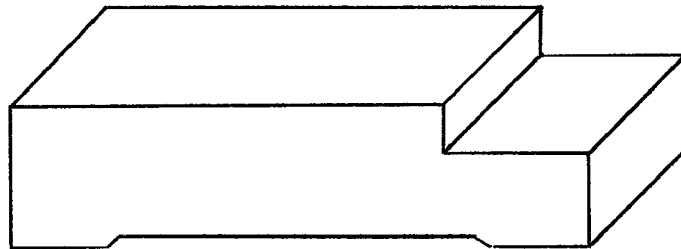
1/4 x 1/4
Rabbet



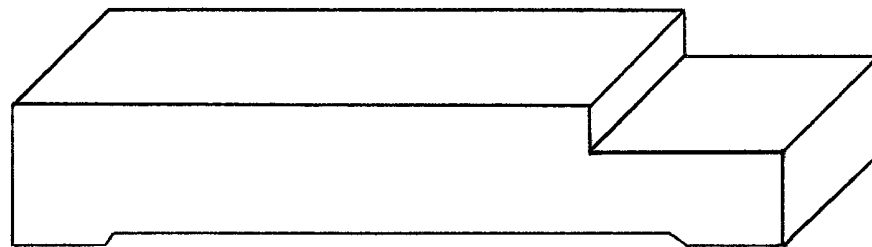
1/4 x 1/2
Rabbet



1/4 x 3/4
Rabbet



1/4 x 1
Rabbet



WB-5260 RABBET CASING

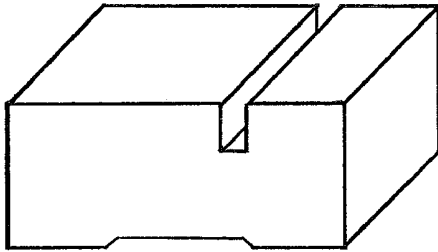
Rabbet Casings above are drawn to 3/4" in thickness
When ordering Rabbet Casing, please specify the following

Thickness - Width - Size of Rabbet

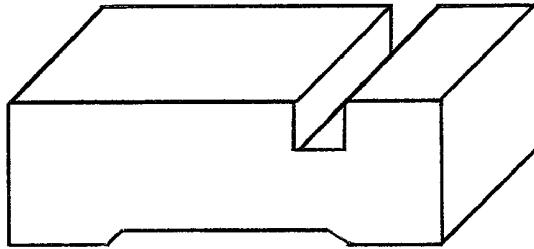
Example: 3/4" thick - 3" wide - 1/4" x 3/4" Rabbet

DADO CASING PROFILE

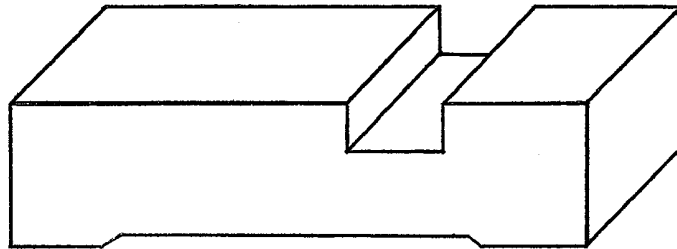
1/4 x 1/8
Dado



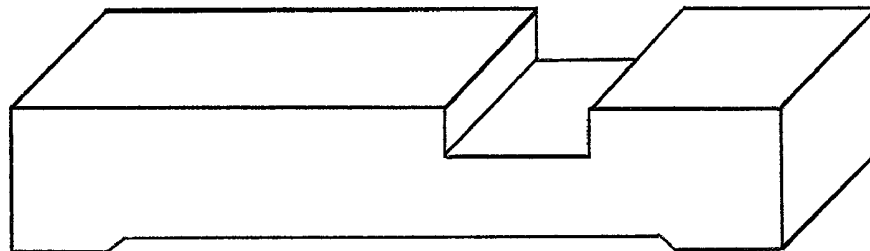
1/4 x 1/4
Dado



1/4 x 1/2
Dado



1/4 x 3/4
Dado



WB-5261 Dado Casing

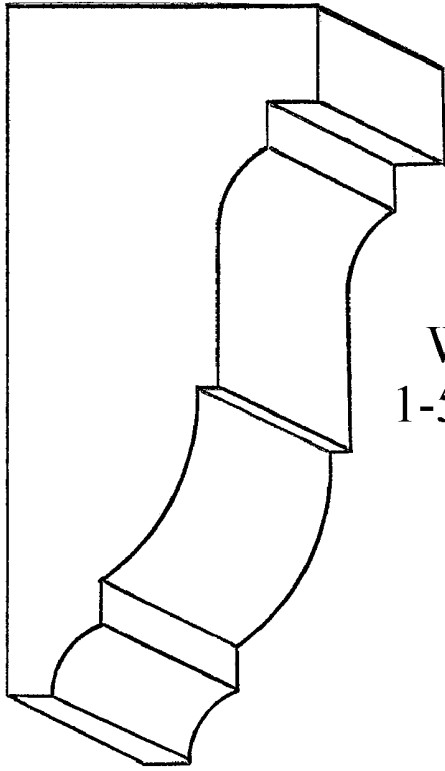
Dado Casings above are drawn to 3/4" in thickness

When ordering Dado Casing, please specify the following

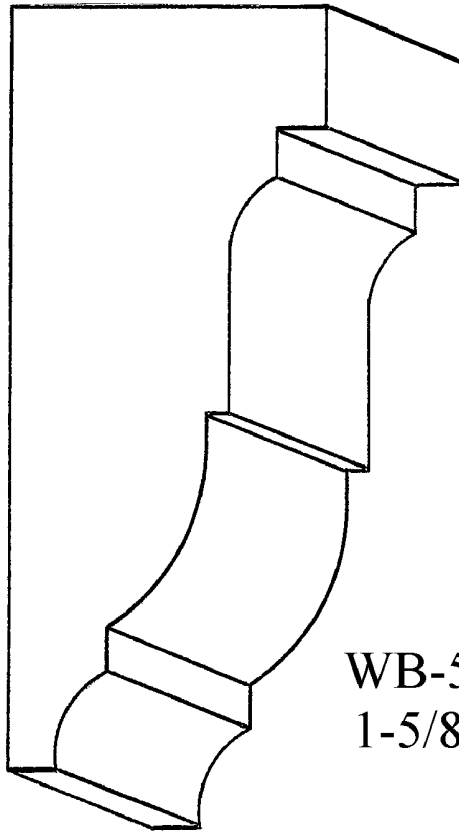
Thickness - Width - Size & Location of Dado

Example: 3/4" thick - 3" wide - Dado 1/4" x 1/4" - 3/4" in from Right

LINTEL CAP PROFILES

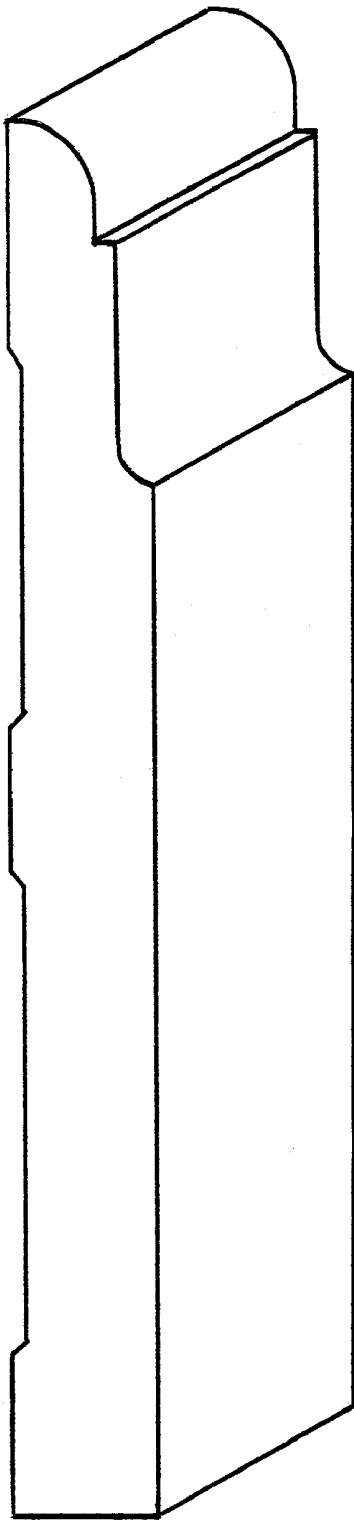


WB-5280
1-5/8 x 3-5/8

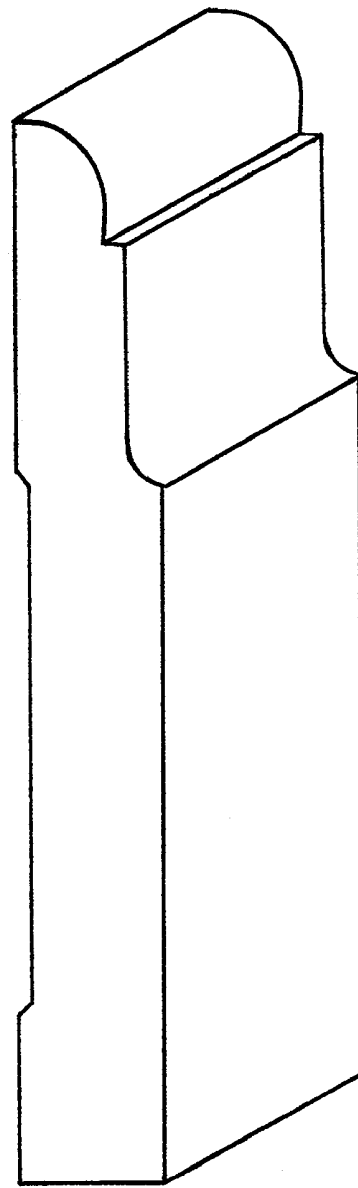


WB-5281
1-5/8 x 4

BASE PROFILES

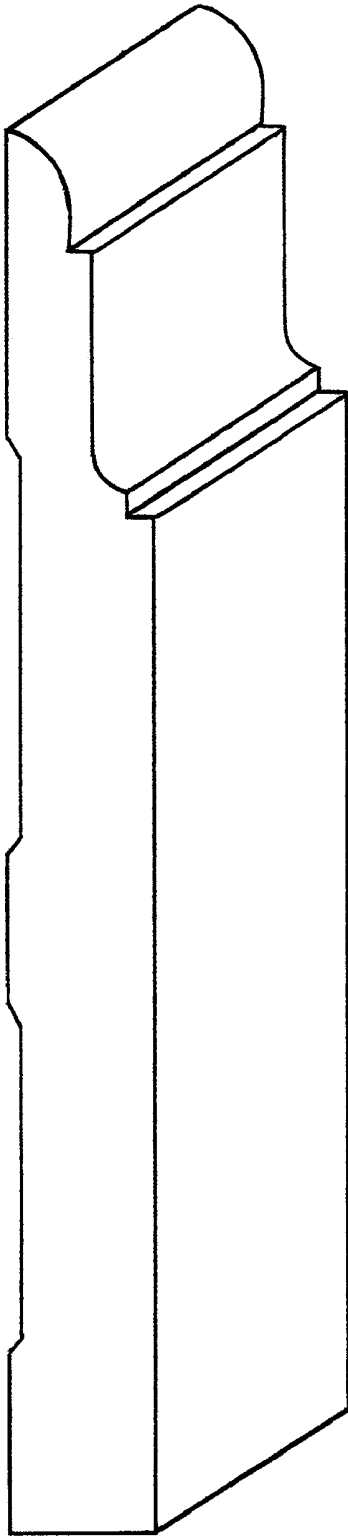


WB-5302
3/4 x 7-1/4

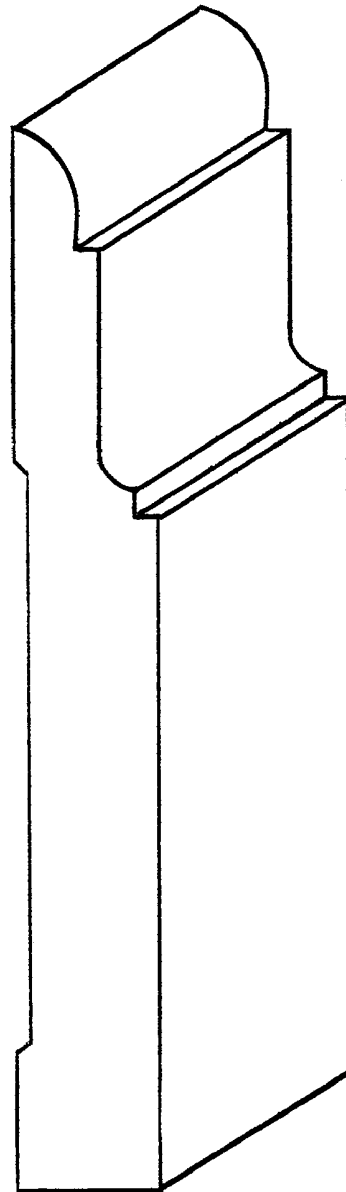


WB-5301
3/4 x 5-1/2

BASE PROFILES

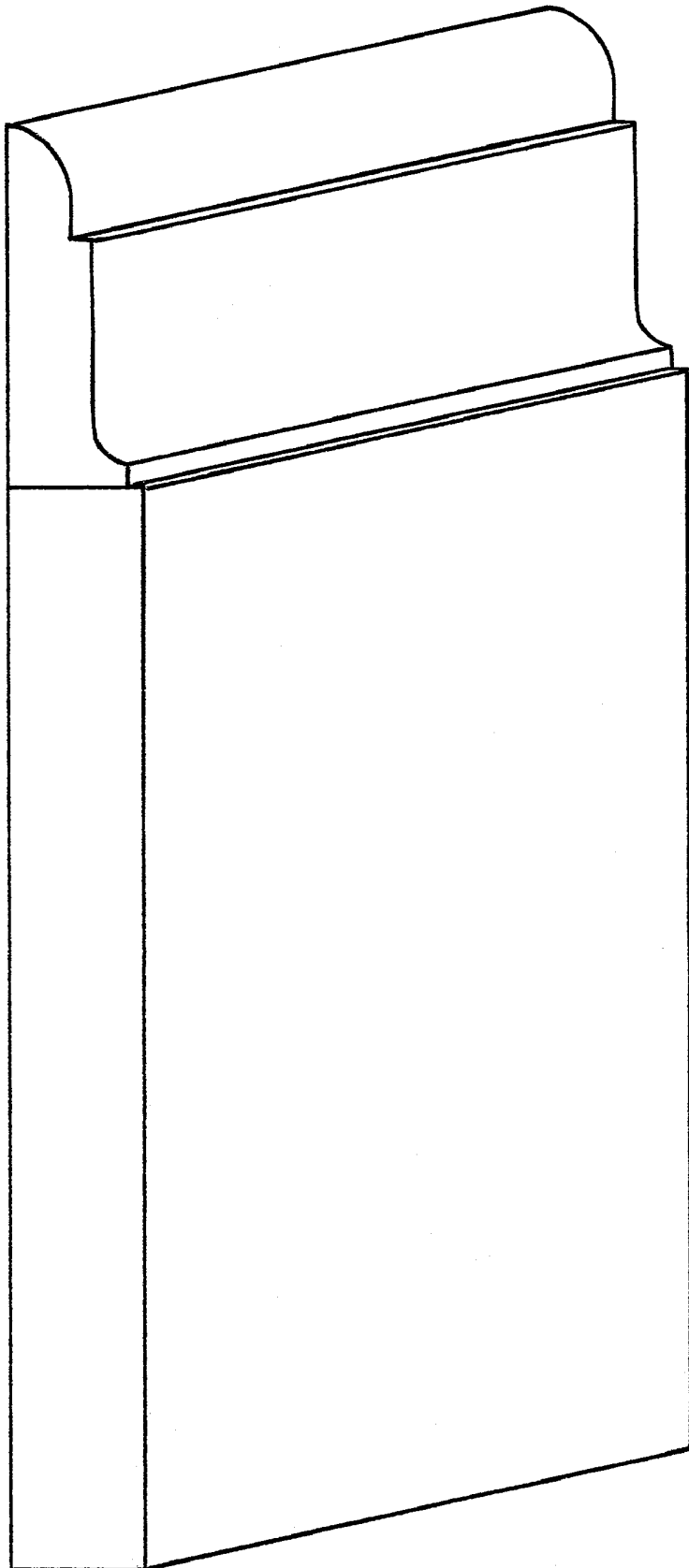


WB-5304
3/4 x 7-1/4



WB-5303
3/4 x 5-1/2

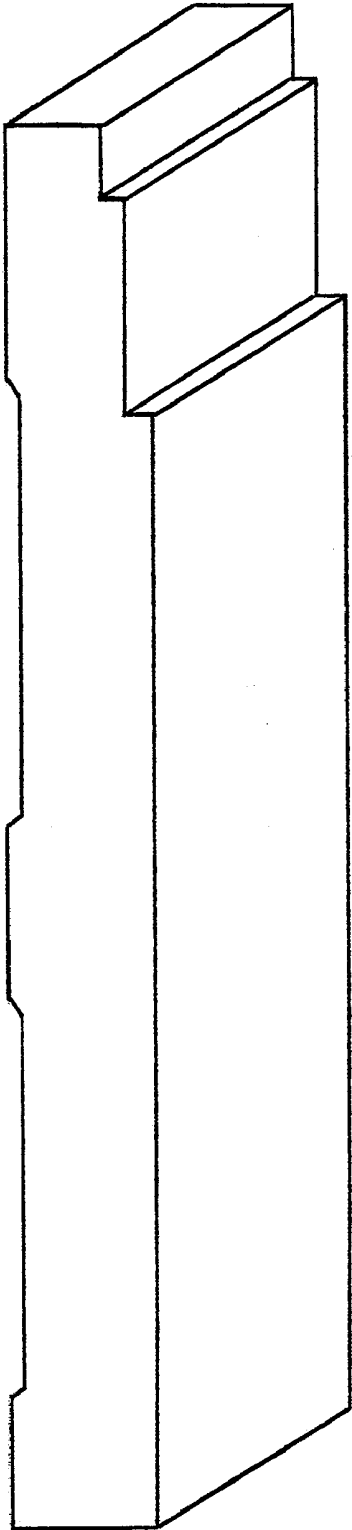
BASE PROFILES



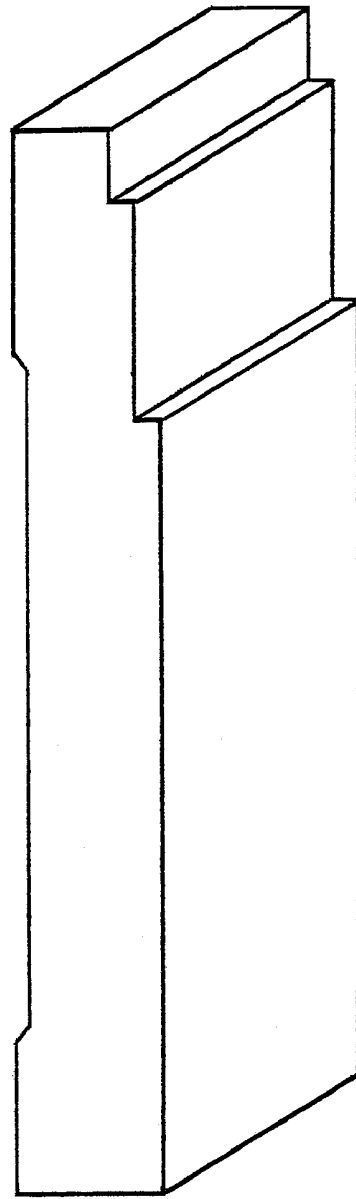
WB-5305 BASE CAP
5/8 X 2

3/4 X (4"-7-1/4")
BASEBOARD

BASE PROFILES

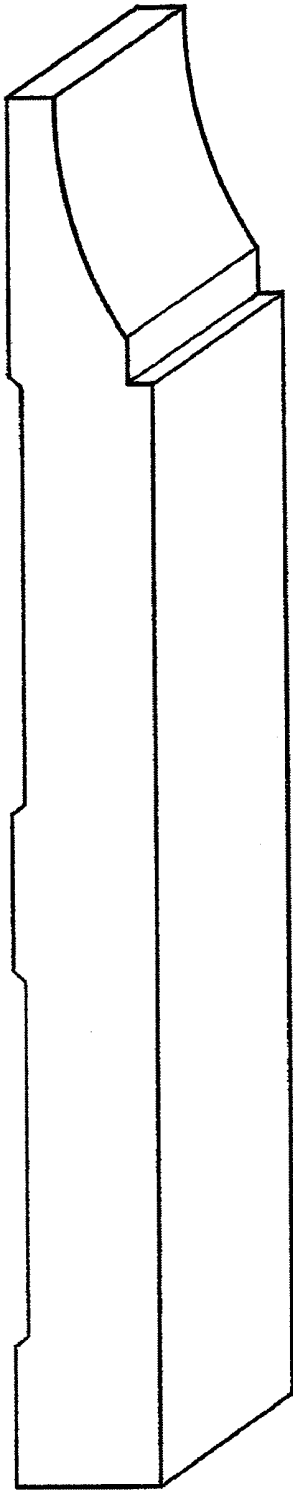


WB-5307
3/4 x 7-1/4

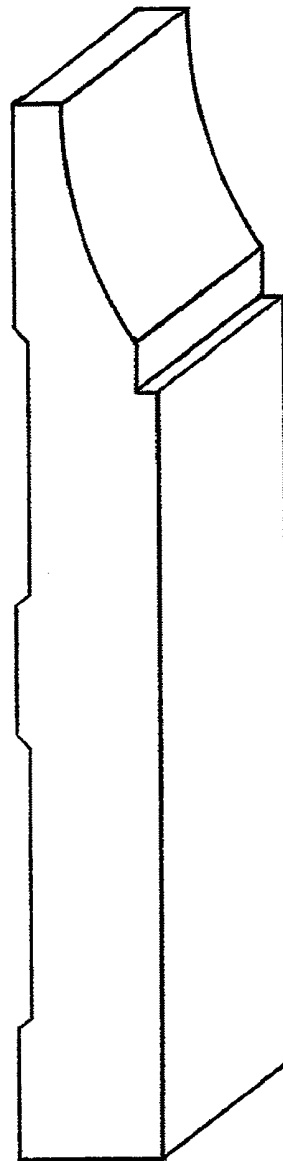


WB-5306
3/4 x 5-1/2

BASE PROFILES

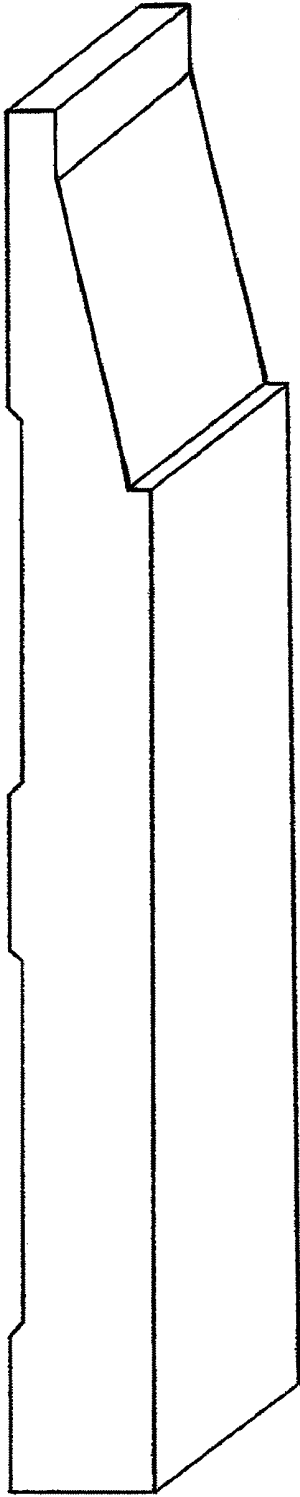


WB-5309
3/4 x 7-1/4

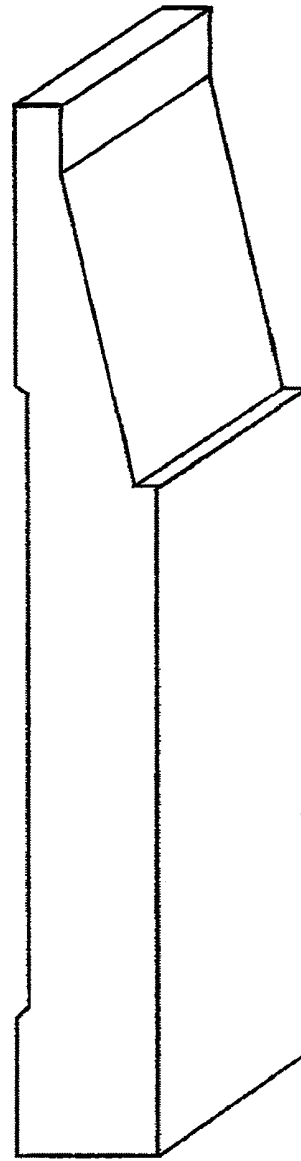


WB-5308
3/4 x 5-1/2

BASE PROFILES

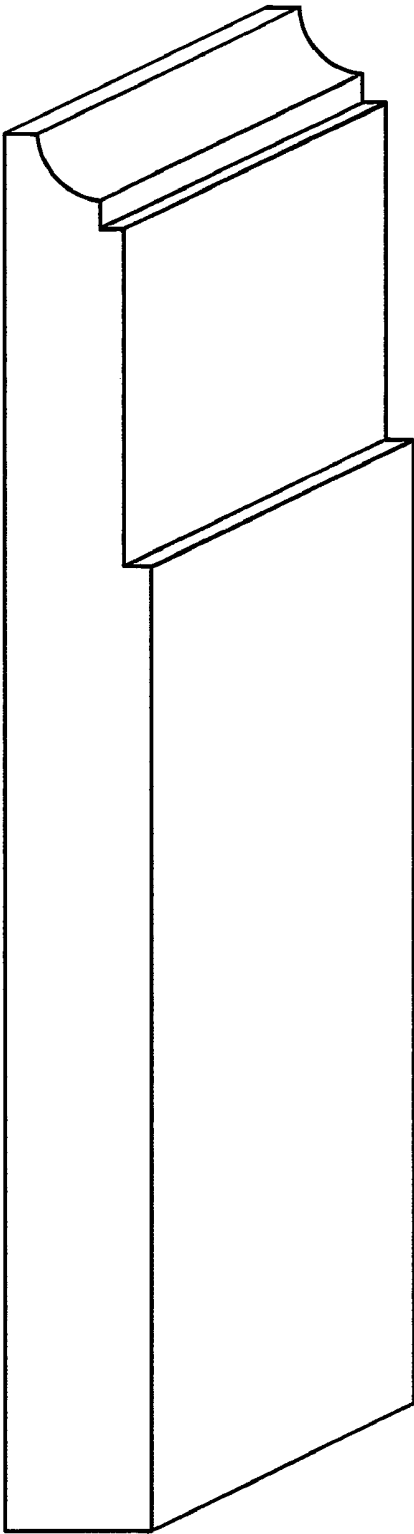


WB-5311
3/4 x 7-1/4

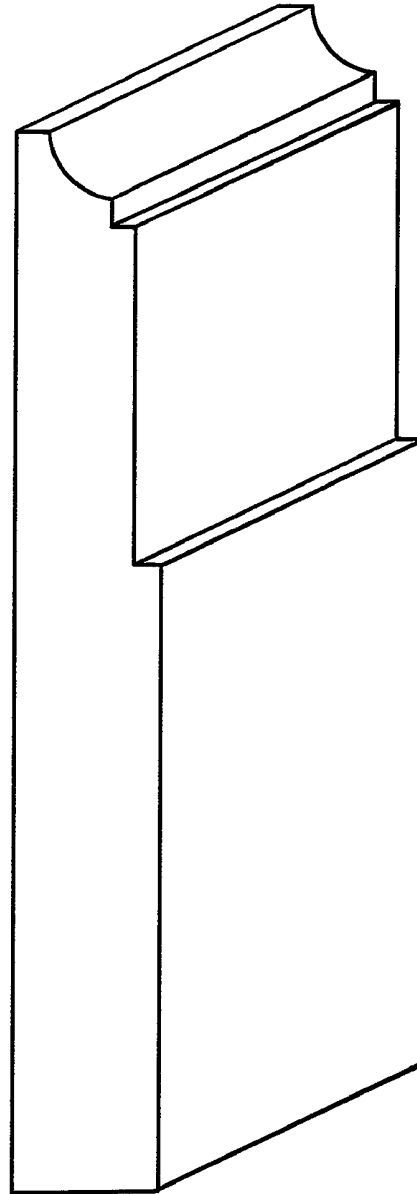


WB-5310
3/4 x 5-1/2

BASE PROFILES

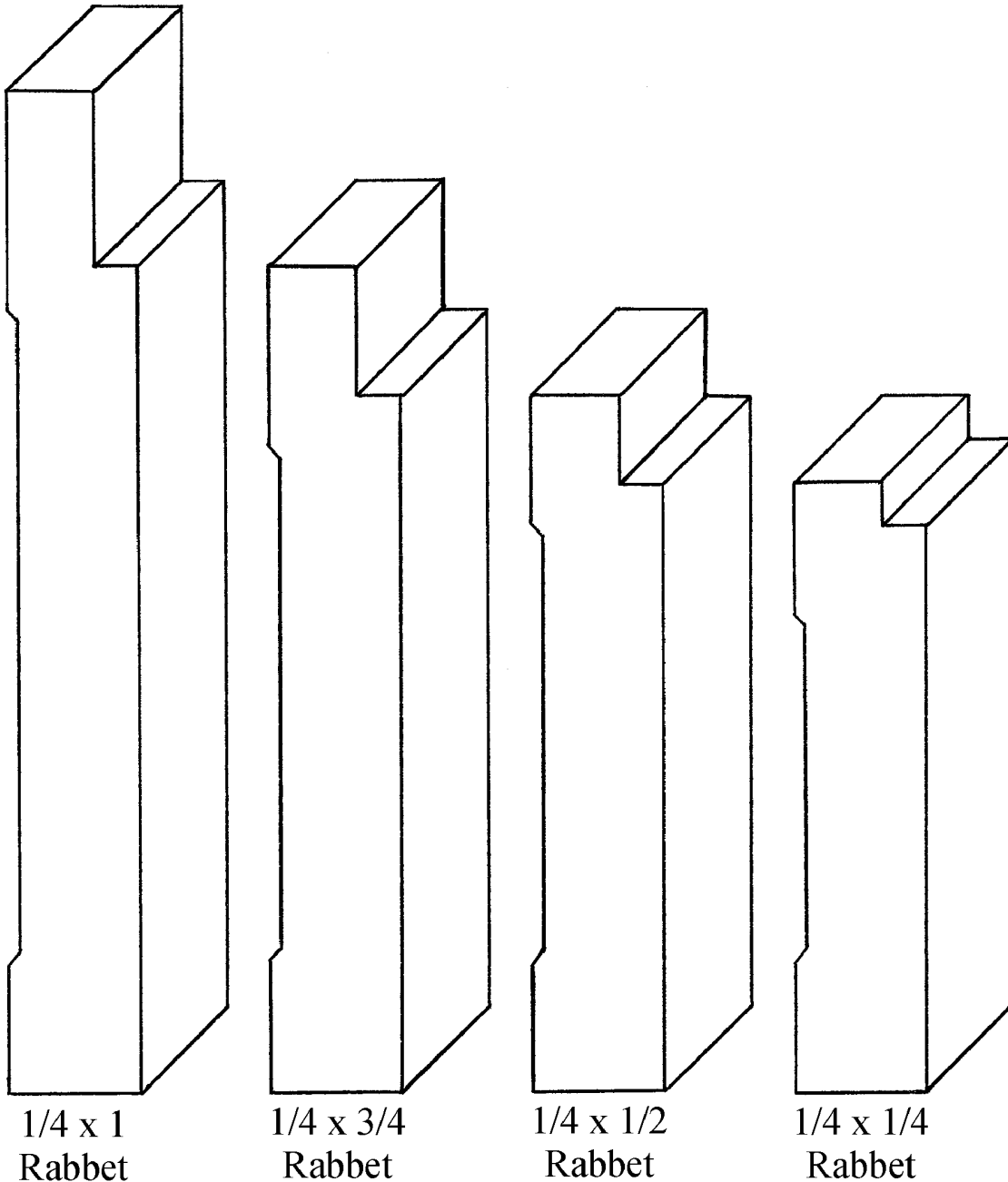


WB-5313
3/4 x 7-1/4



WB-5312
3/4 x 5-1/2

RABBET BASE PROFILE



WB-5360 RABBET BASE

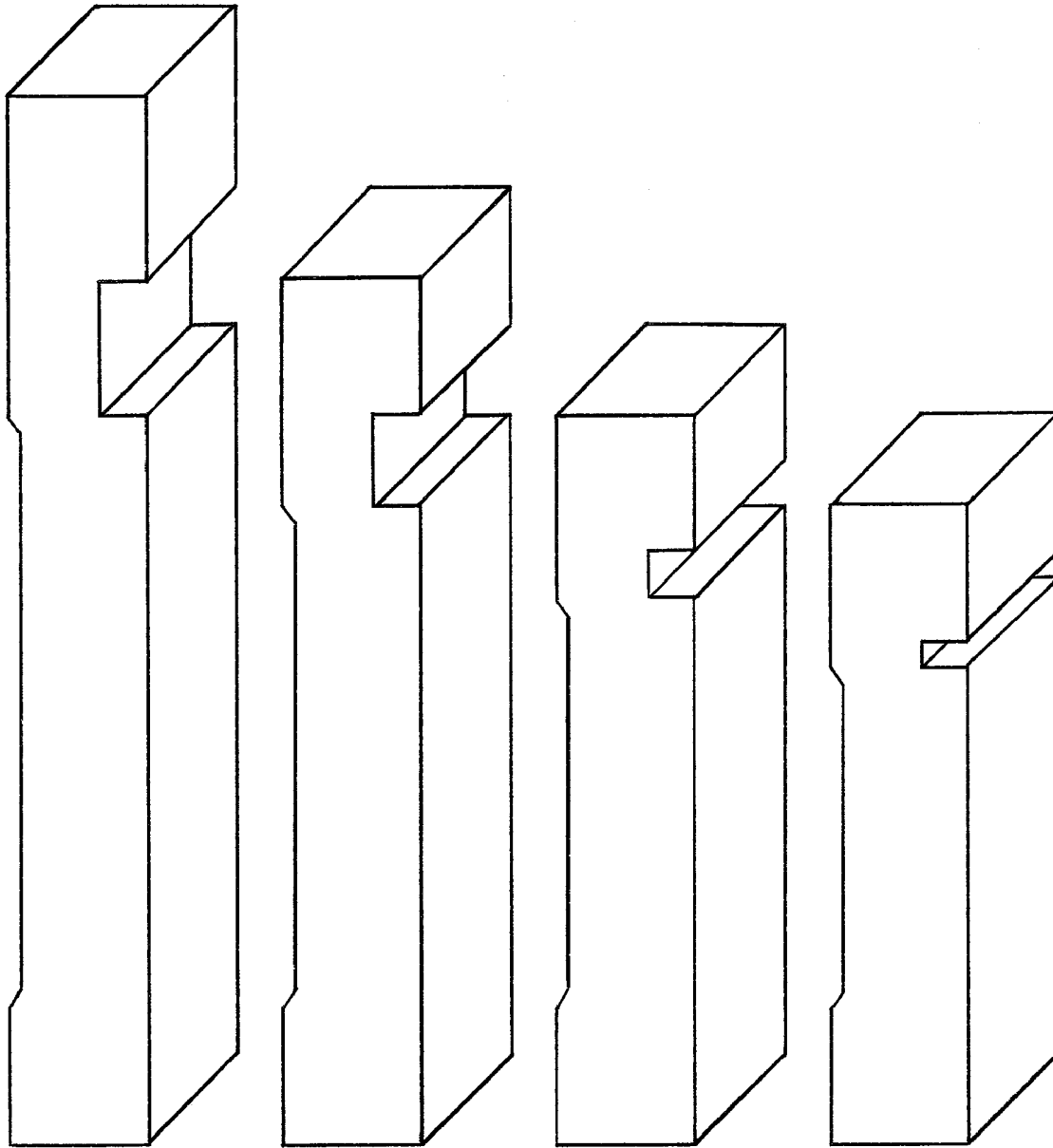
Rabbet Bases above are drawn to 3/4" in thickness

When ordering Rabbet Base, please specify the following

Thickness - Height - Size of Rabbet

Example: 3/4"thick - 3-1/2"high - 1/4"x 1/2" Rabbet

DADO BASE PROFILE



1/4 x 3/4
Dado

1/4 x 1/2
Dado

1/4 x 1/4
Dado

1/4 x 1/8
Dado

WB-5361 Dado Base

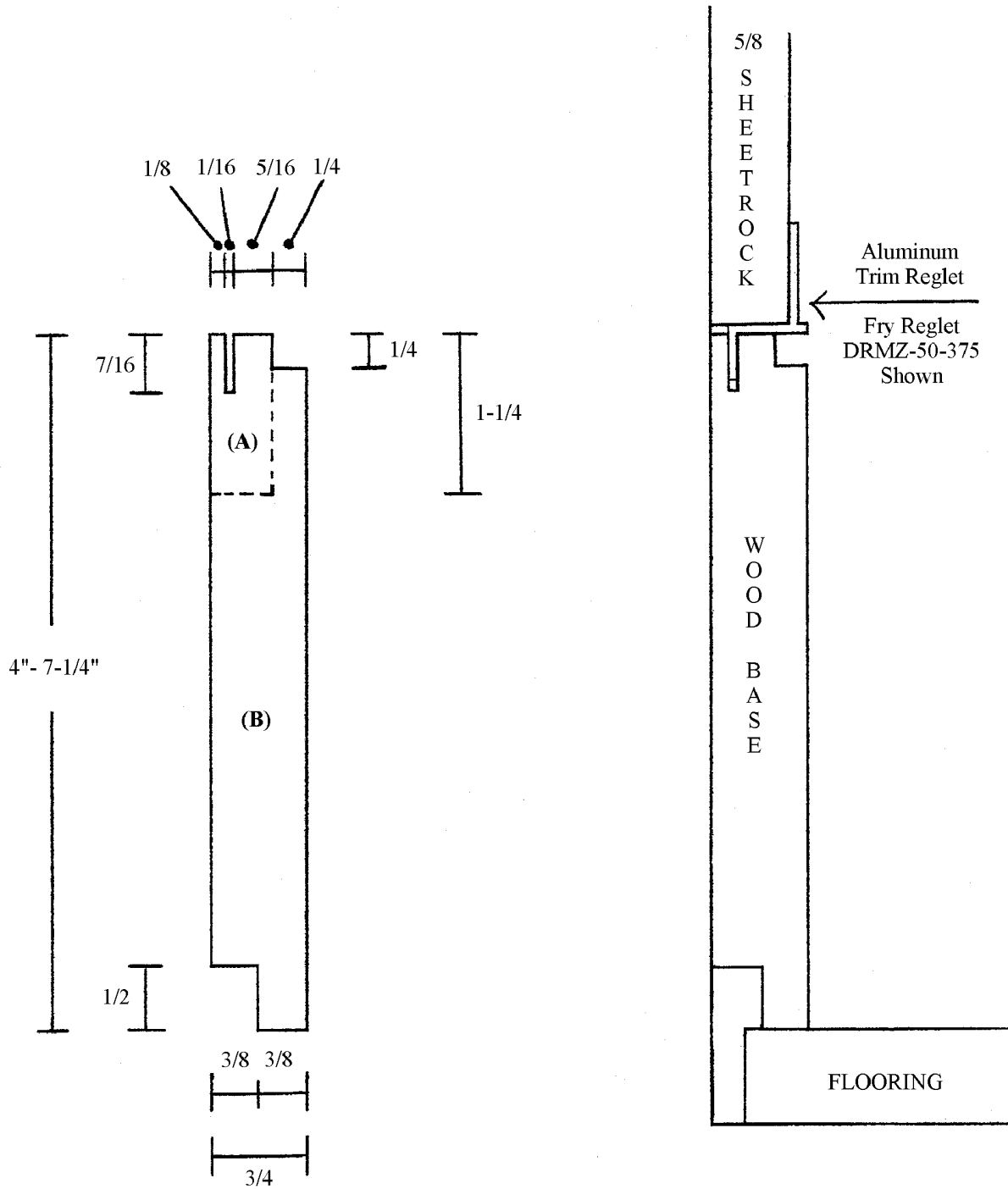
Dado Bases above are drawn to 3/4" in thickness

When ordering Dado Base, please specify the following

Thickness - Height - Size & Location of Dado

Example: 3/4" thick - 4" high - Dado 1/4" x 1/4" - 3/4" from Top

S/R FLUSH BASE PROFILE

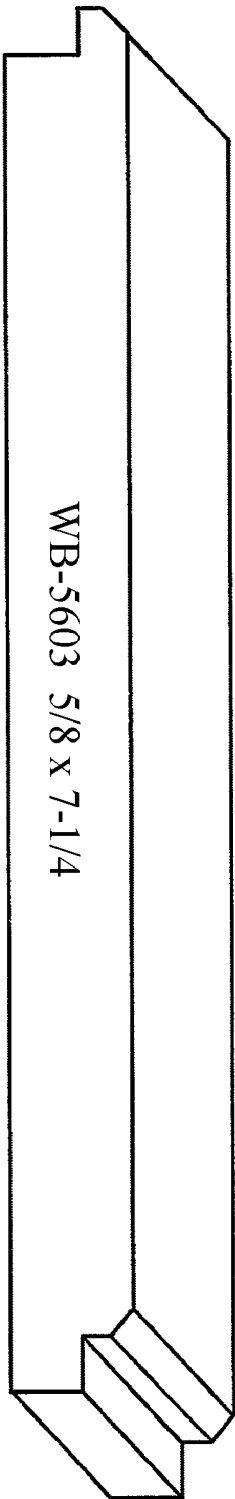
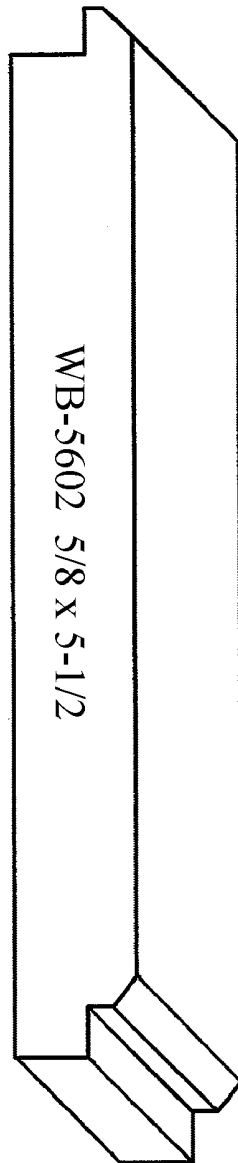
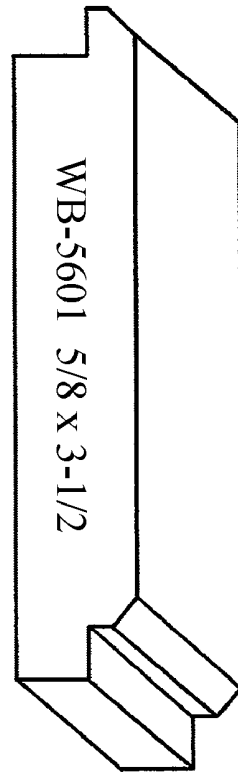


2PC SHEETROCK FLUSH BASE DETAIL

WB-5370A $1/2 \times 1-1/4$

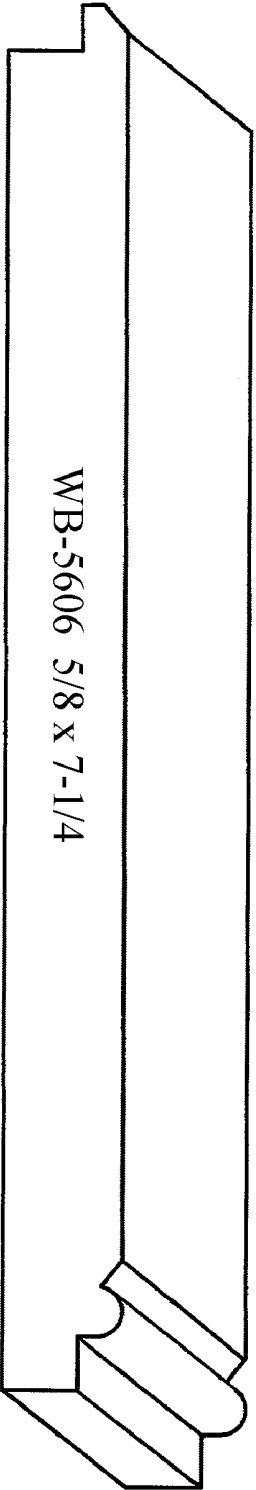
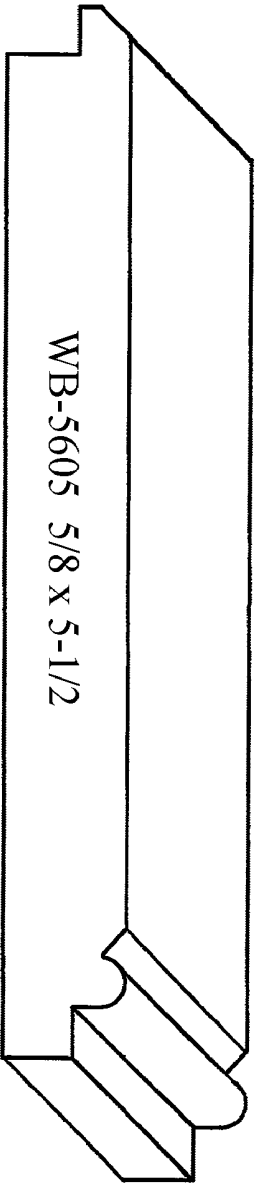
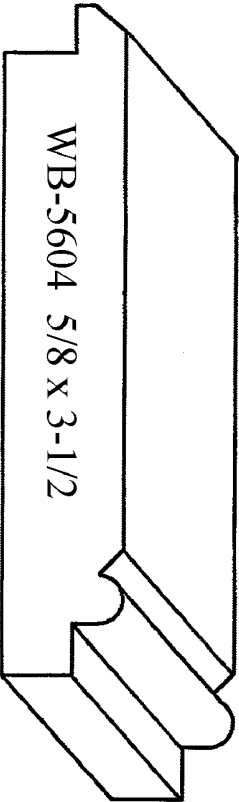
WB-5370B $3/4 \times 4'' - 7-1/4''$ (Specify Height)

SHIP-LAP "V" GROOVE



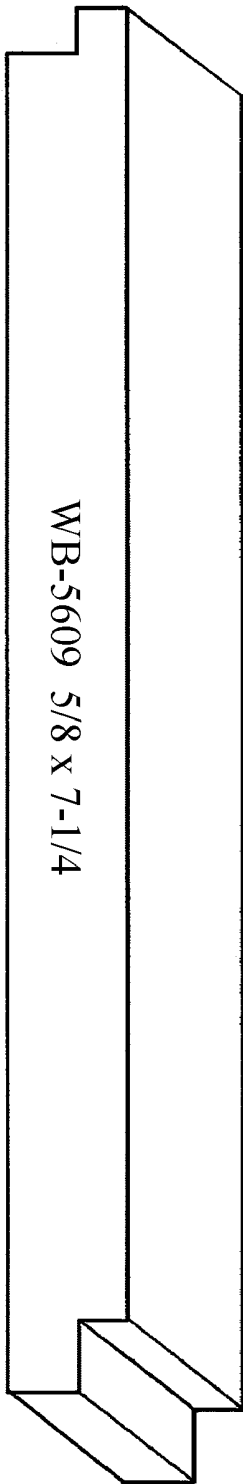
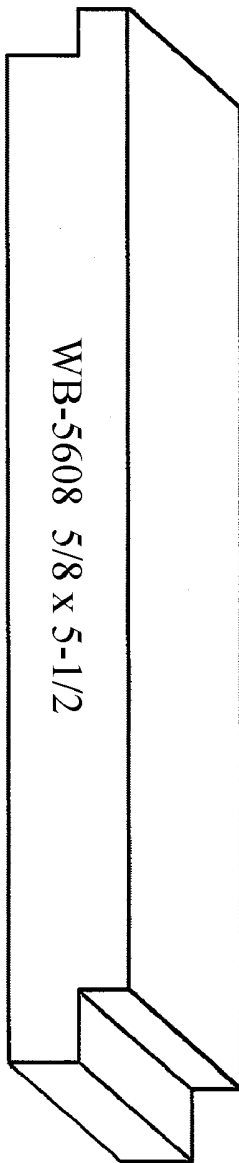
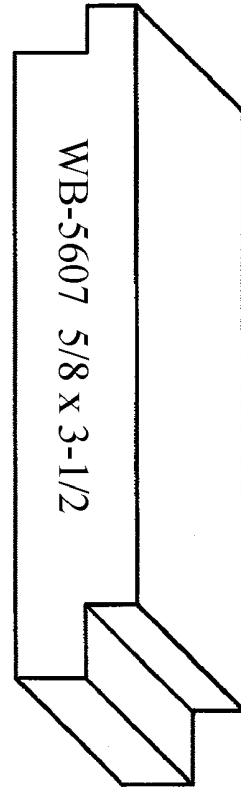
Ship-Lap "V" Groove
Used for Wainscot/Paneling
and Ceilings

SHIP-LAP BEADED "V" GROOVE



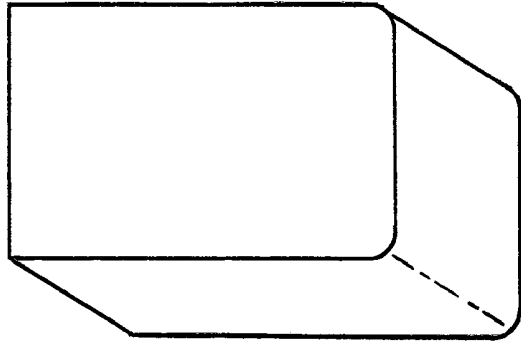
Ship-Lap Beaded "V" Groove
Used for Wainscot/Paneling
and Ceilings

SHIP-LAP PLANK with 1/8" GAP

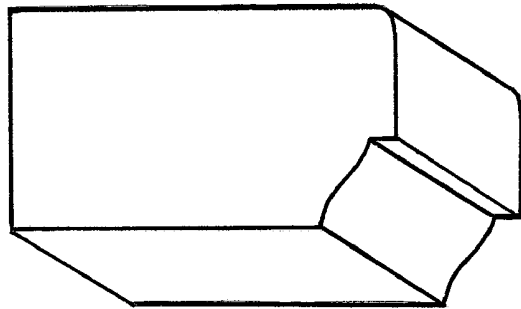


Ship-Lap Plank with 1/8" Gap
Used for Wainscot/Paneling
and Ceiling
Also Available in 1/4" Gap

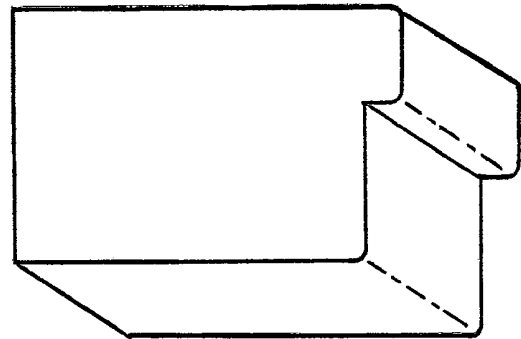
WINDOW STOOL PROFILES



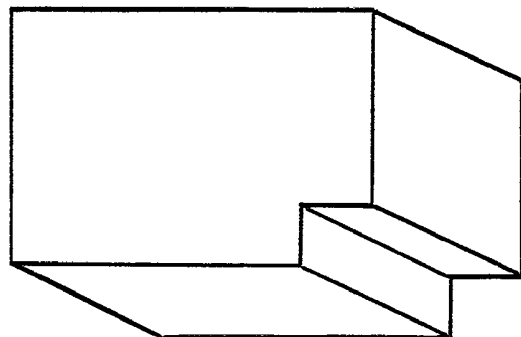
WB-5701
1-5/16 x 2



WB-5702
1-1/8 x 2

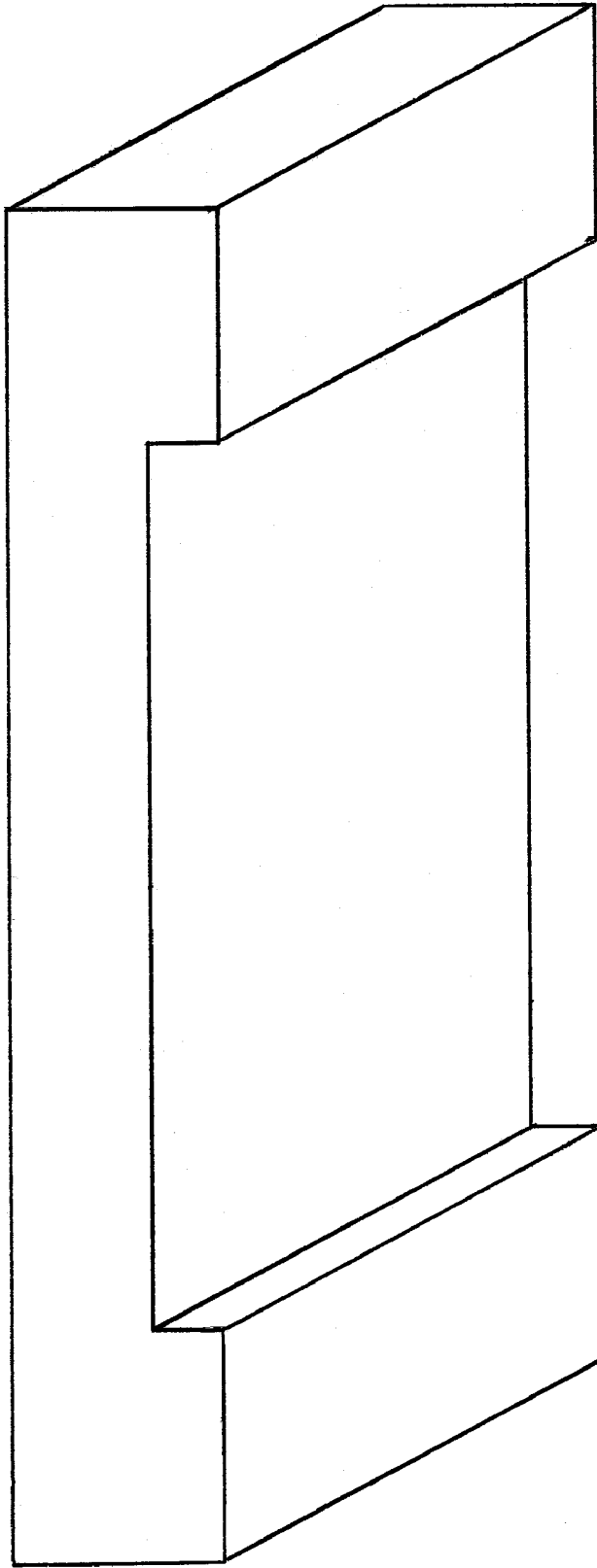


WB-5703
1-5/16 x 2



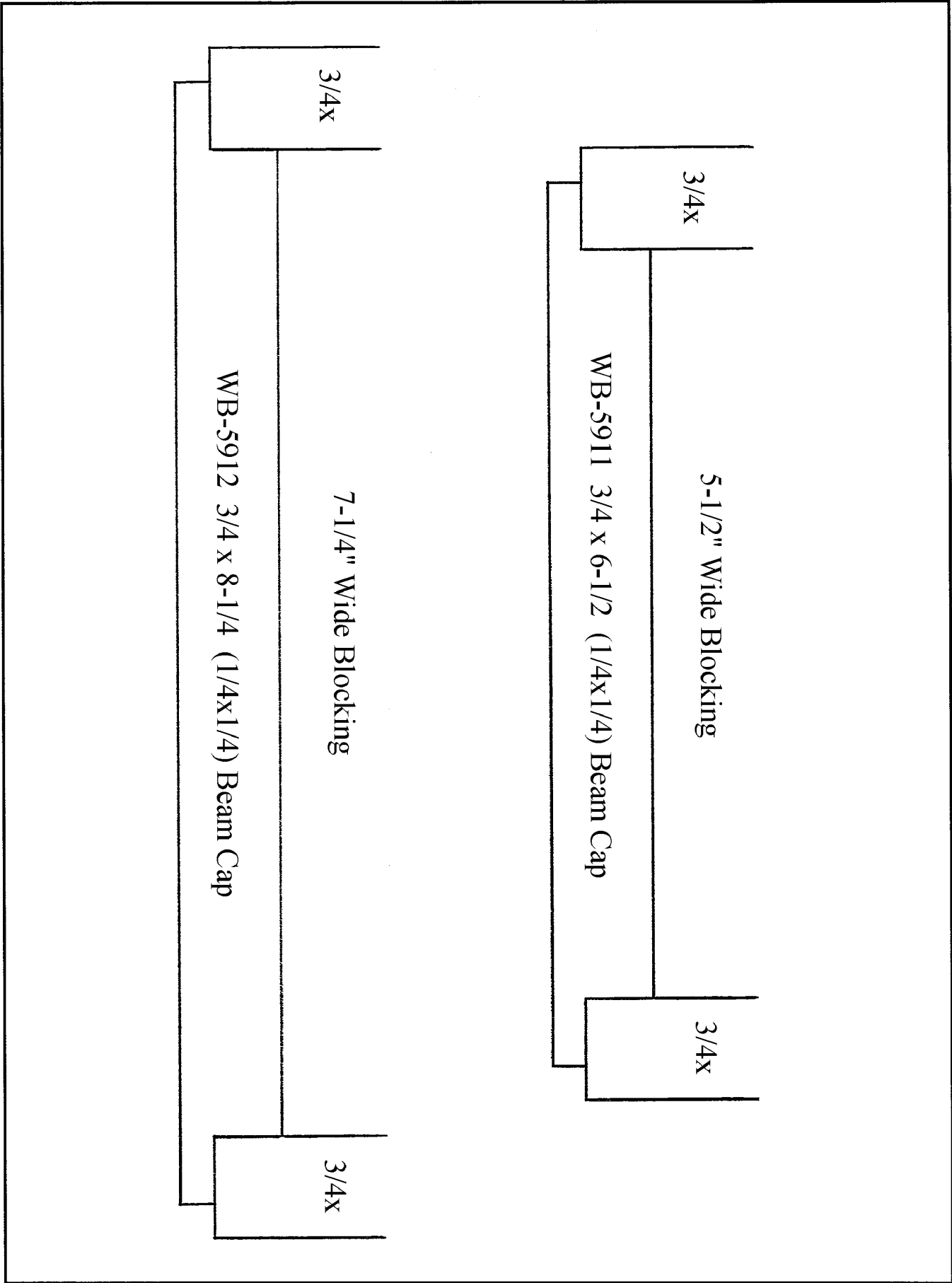
WB-5704
1-5/16 x 1-7/8

BEAM CAP PROFILE

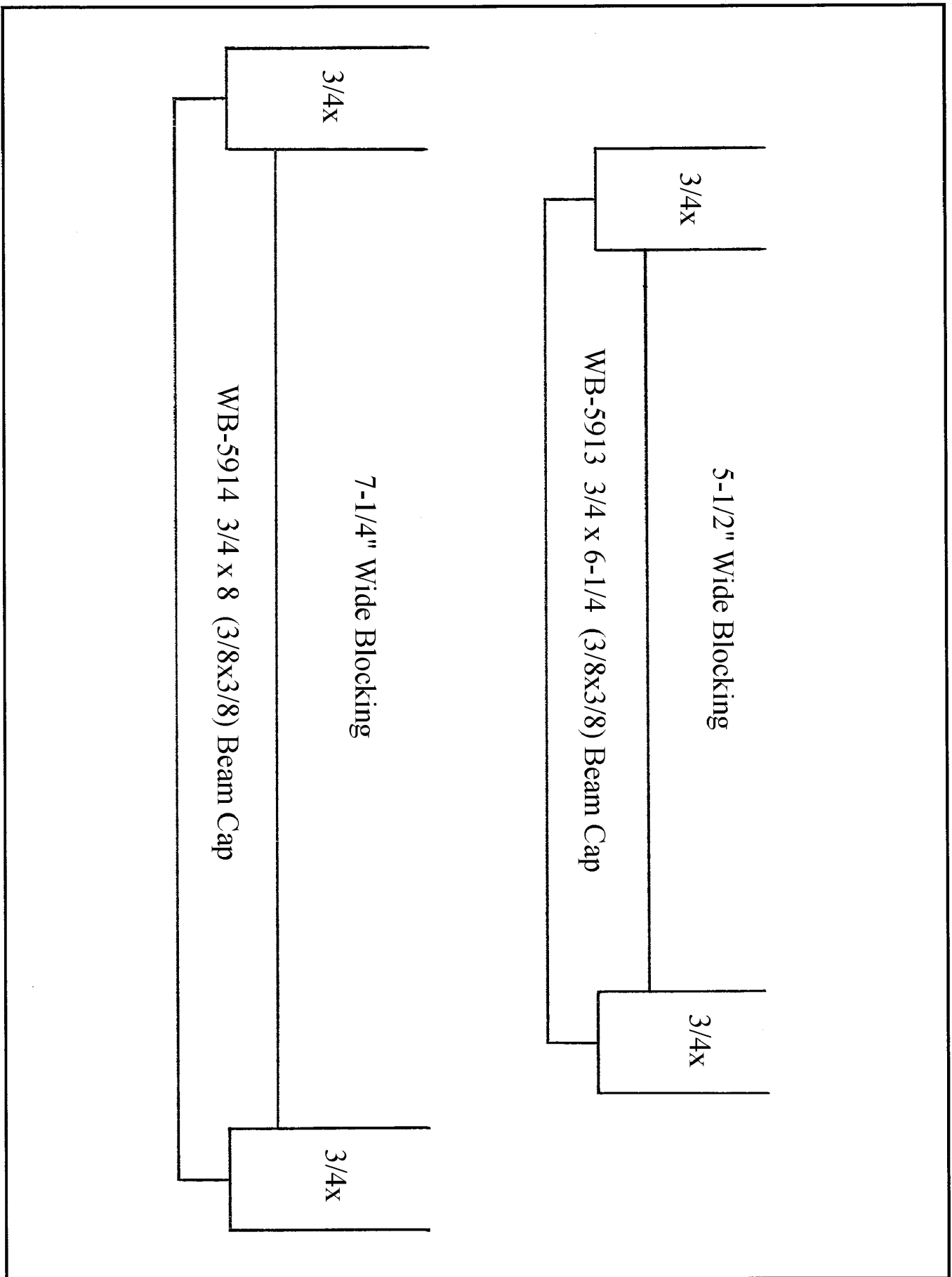


WB-5910 (1-1/8 x 7-1/4)
PLOWED BEAM CAP

RABBET BEAM CAPS (1/4x1/4 CORNERS)



RABBET BEAM CAPS (3/8x3/8 CORNERS)



COVE ENDS BEAM CAPS

