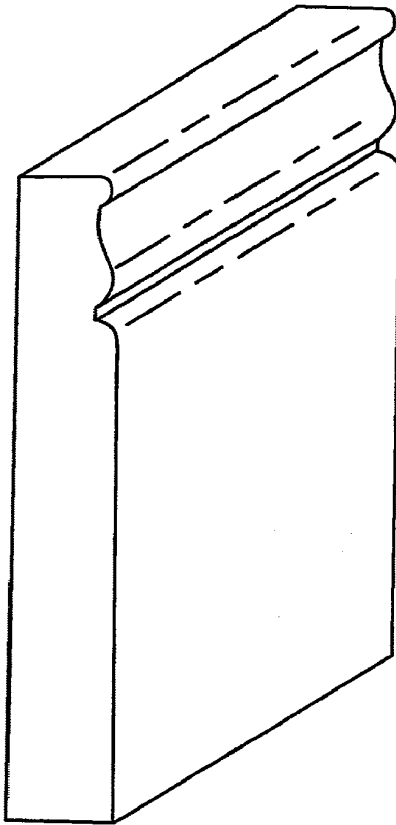
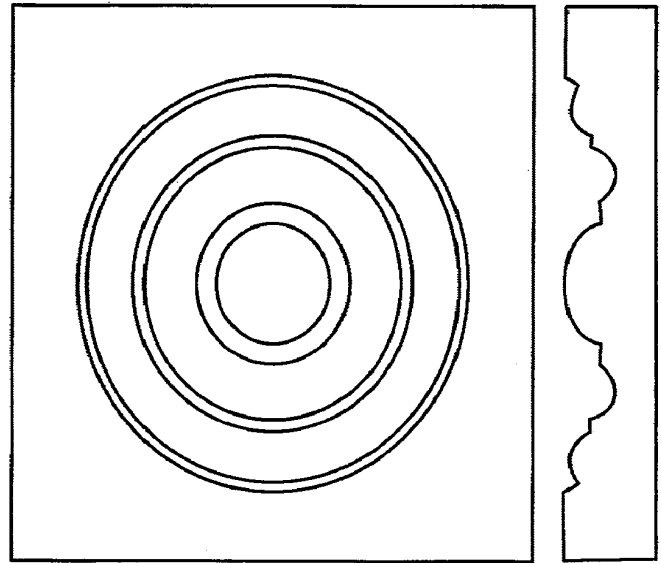


PLINTH & CORNER BLOCKS



234 - 1-1/8 x 8

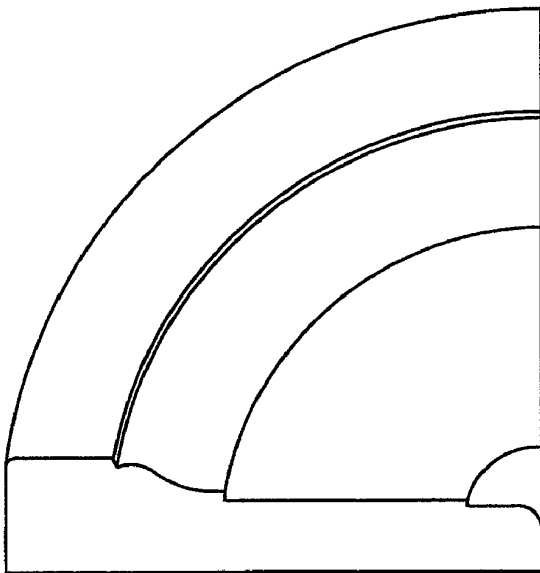


162 - 1 x 2-3/4

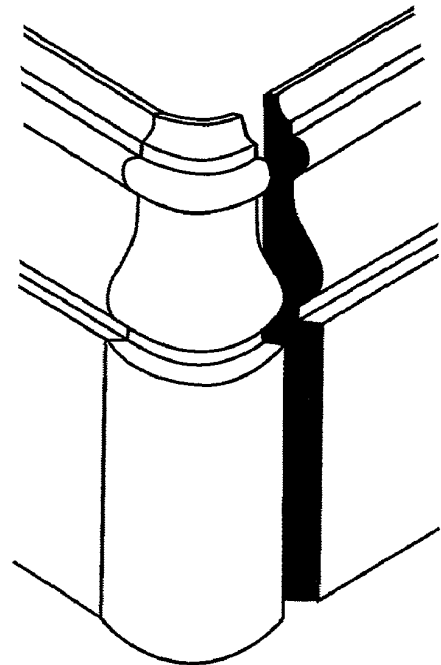
163 - 1 x 3-3/4

164 - 1 x 4-3/4

165 - 1 x 5-1/2



1256 CASING RADIUS CORNERS



BASE RADIUS CORNERS