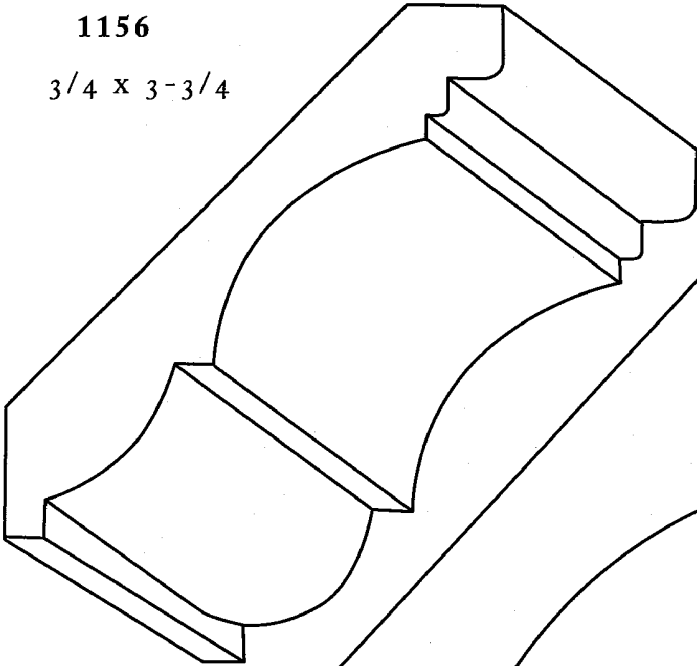


CROWNS

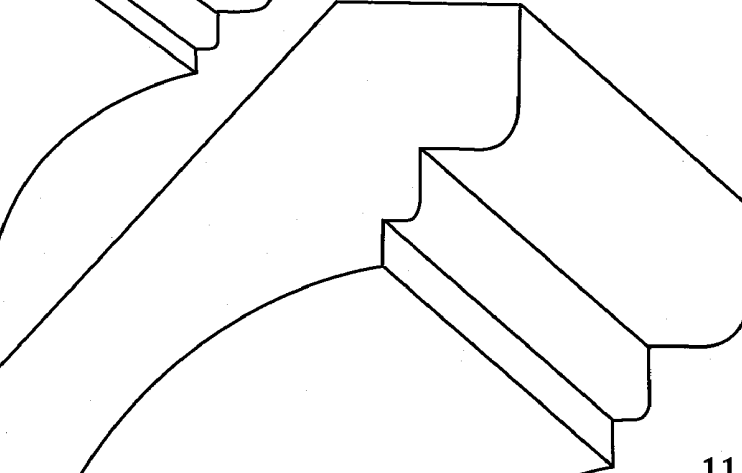
1156

$3/4 \times 3-3/4$



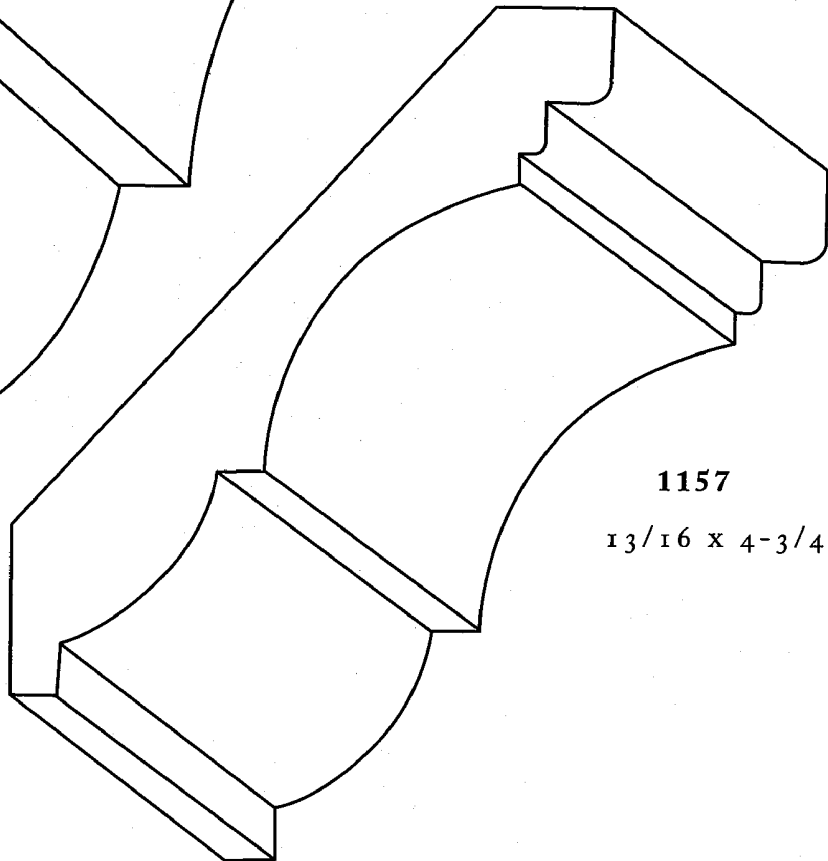
1158

$1-1/8 \times 7$

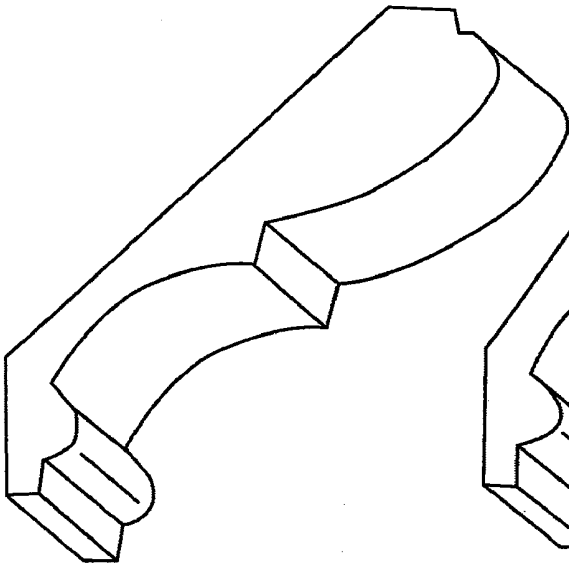


1157

$13/16 \times 4-3/4$

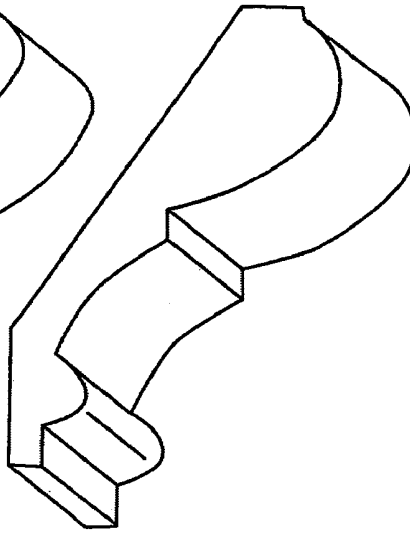


BED & COVE MOULDS



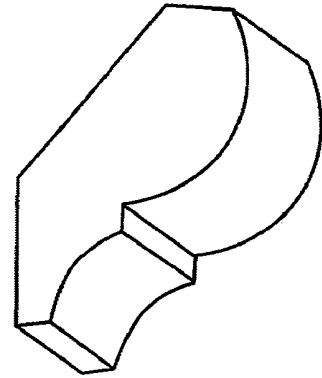
1411

11/16 X 3-7/16



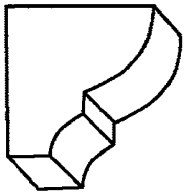
1410

11/16 X 2-13/16



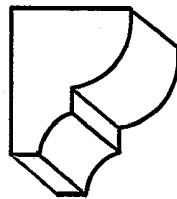
1409

11/16 X 2



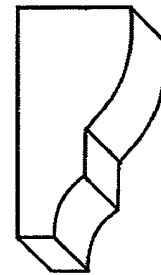
1405

3/4 X 3/4



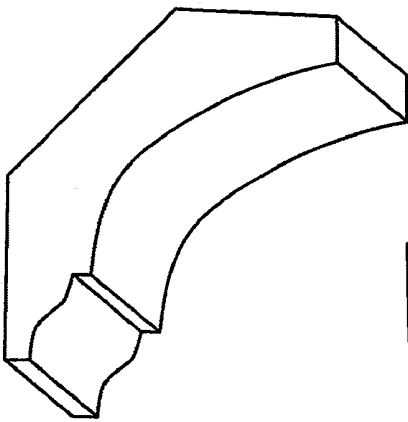
1416

5/8 X 3/4



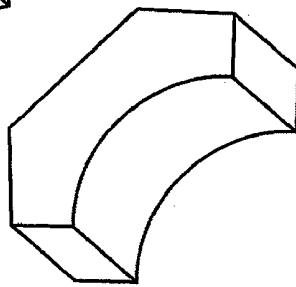
1415

5/8 X 1 1/4



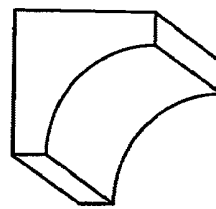
1404

3/4 X 2-1/2



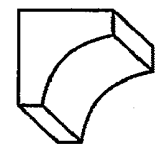
1402

5/8 X 1-5/8



1401

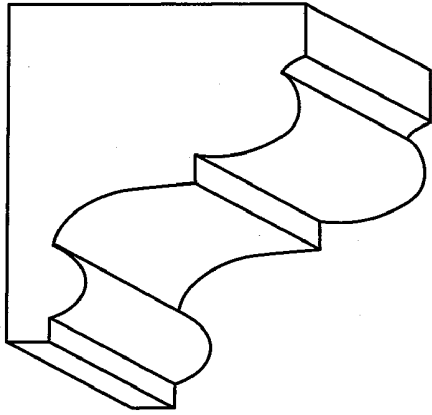
3/4 X 3/4



1400

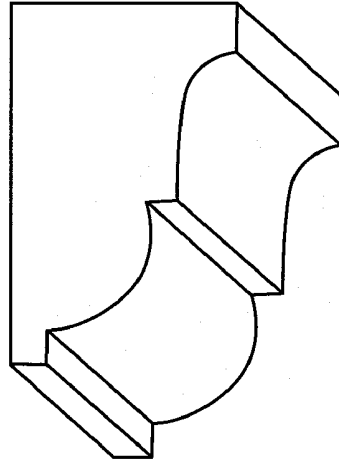
1/2 X 1/2

LINTEL COMPONENTS



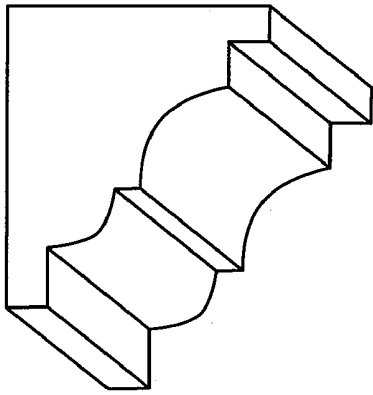
1927

$1-7/16 \times 1-3/4$



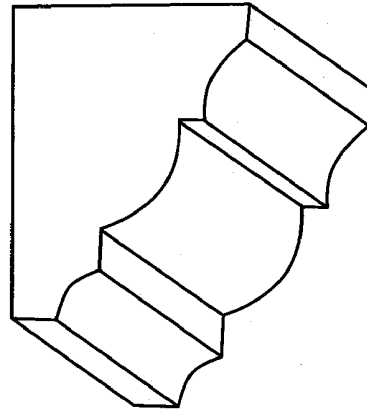
1930

$1-1/8 \times 1-7/8$



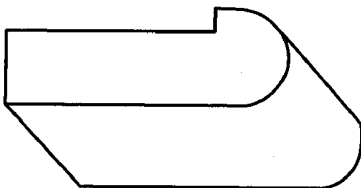
1916

$1-5/16 \times 1-9/16$



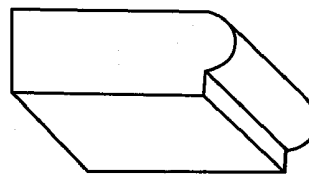
1931

$1-1/8 \times 1-5/8$



1923

$1/2 \times 1-7/16$



1917

$7/16 \times 1-1/8$