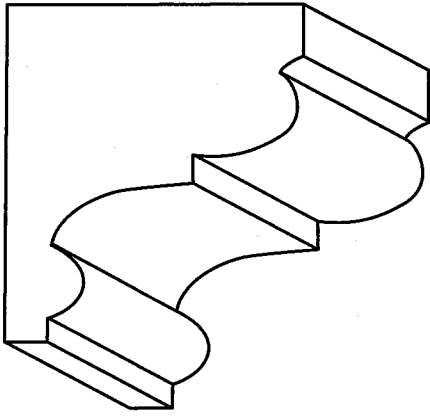
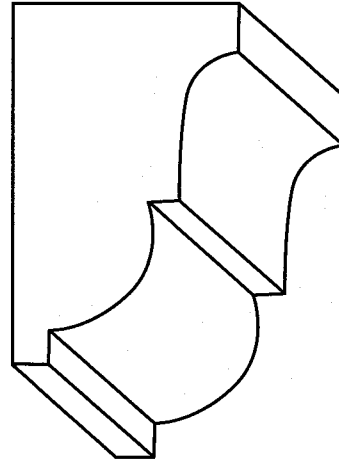


LINTEL COMPONENTS



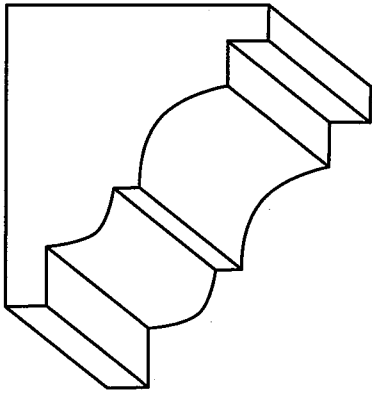
1927

1-7/16 X 1-3/4



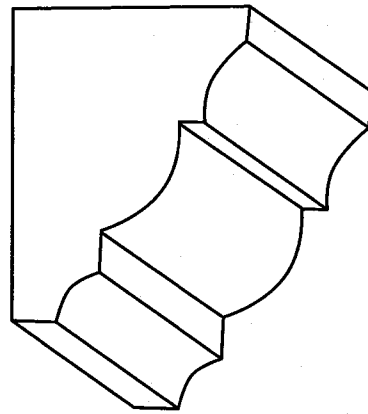
1930

1-1/8 X 1-7/8



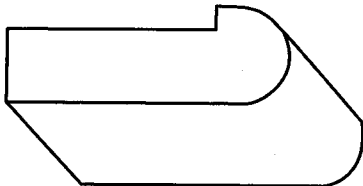
1916

1-5/16 X 1-9/16



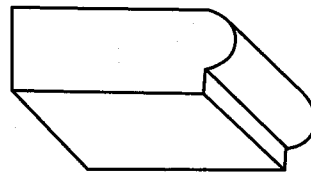
1931

1-1/8 X 1-5/8



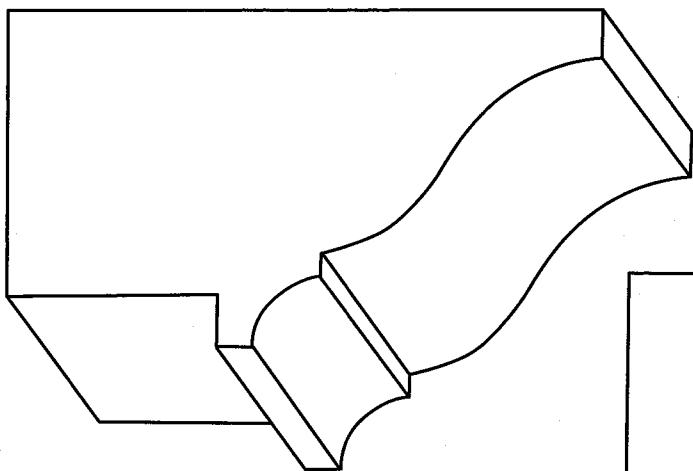
1923

1/2 X 1-7/16



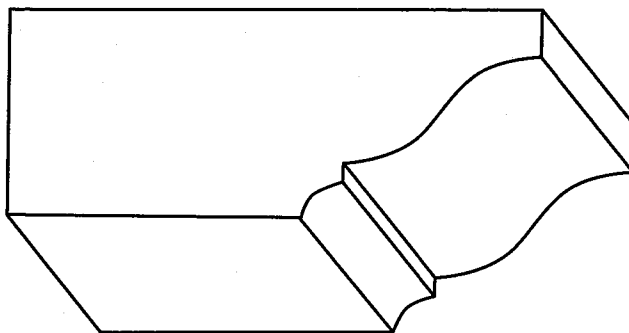
1917

7/16 X 1-1/8



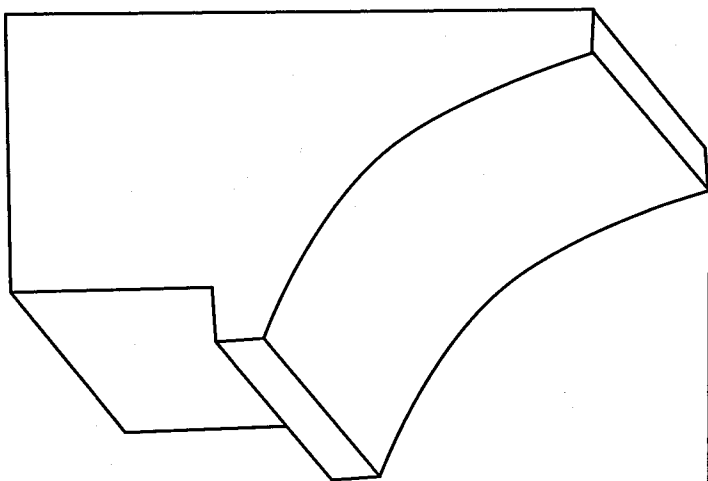
1921

1-3/4 X 3-1/16



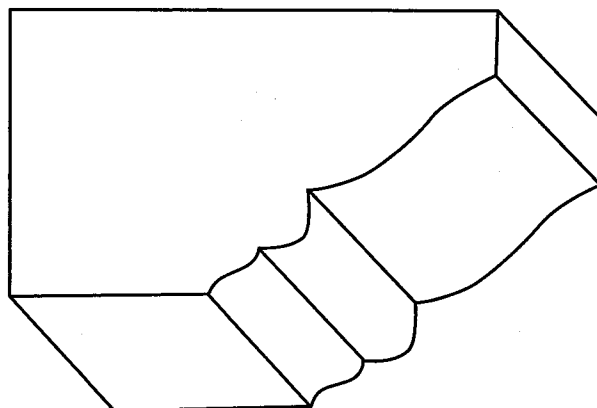
1928

1-1/8 X 2-3/4



1926

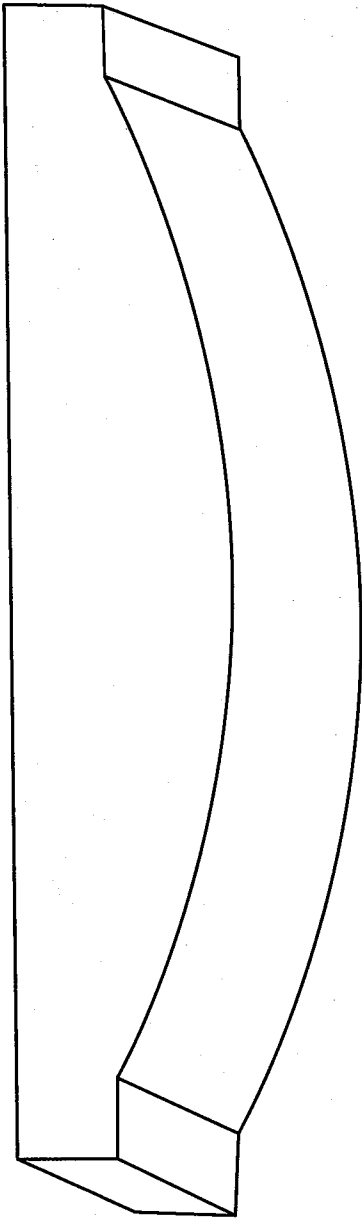
1-3/4 X 3-1/16



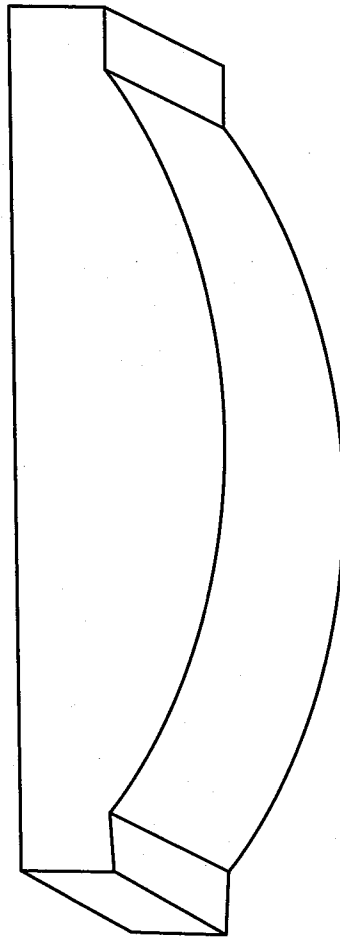
1929

1-1/2 X 2-1/2

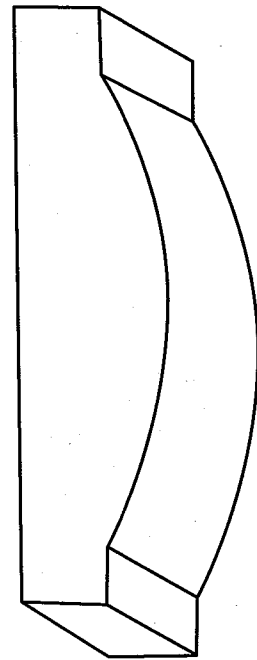
BELLY BANDS



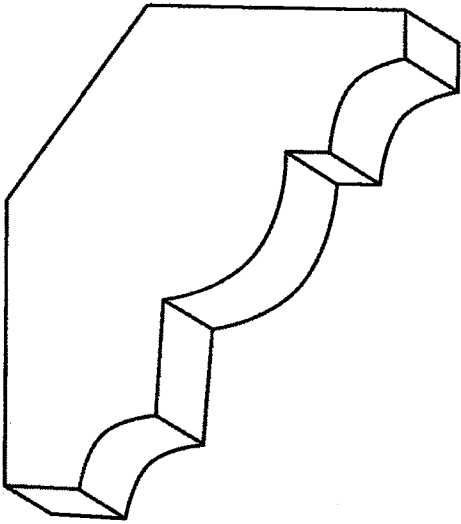
3922
1-1/16 x 6



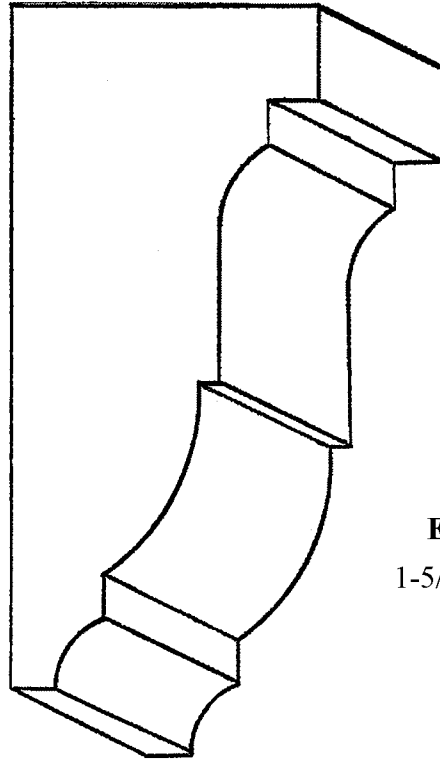
2922
1-1/16 x 4-1/2



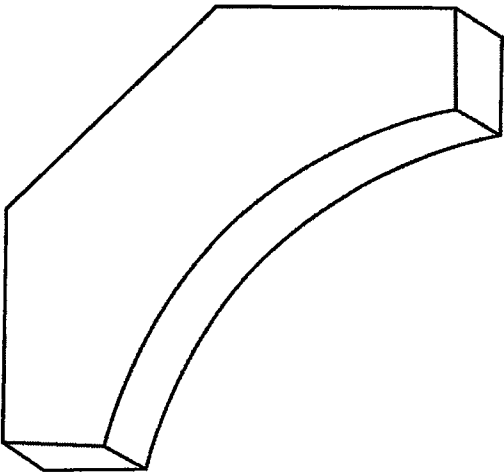
1922
11/16 x 3-1/8



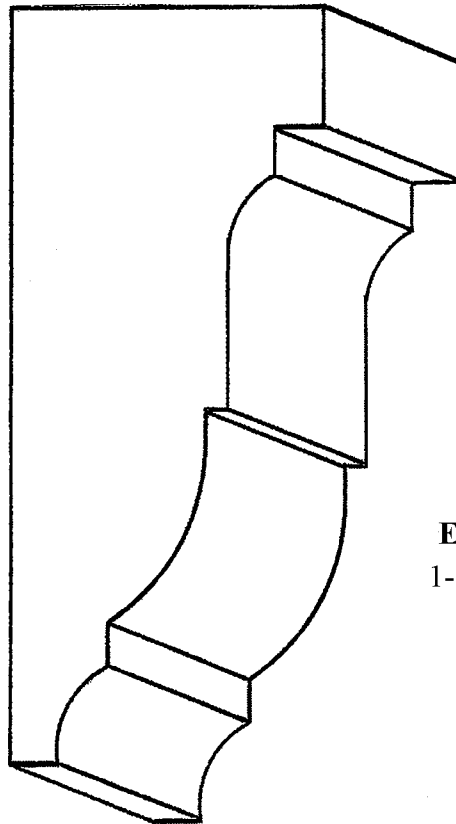
E-2100
1-1/4 x 3-1/4



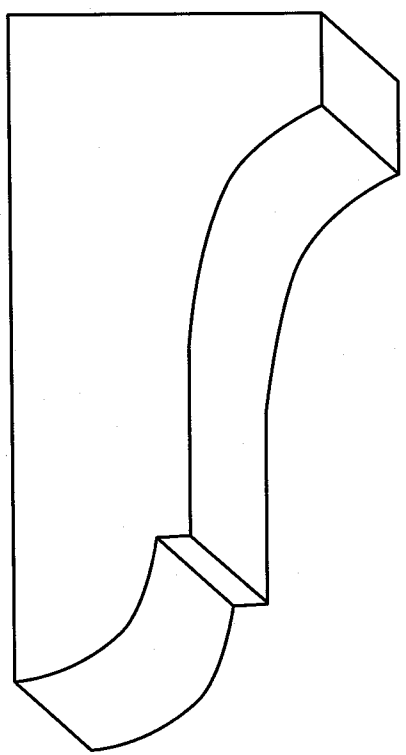
E-5280
1-5/8 x 3-5/8



E-2104
1-1/4 x 3-1/4

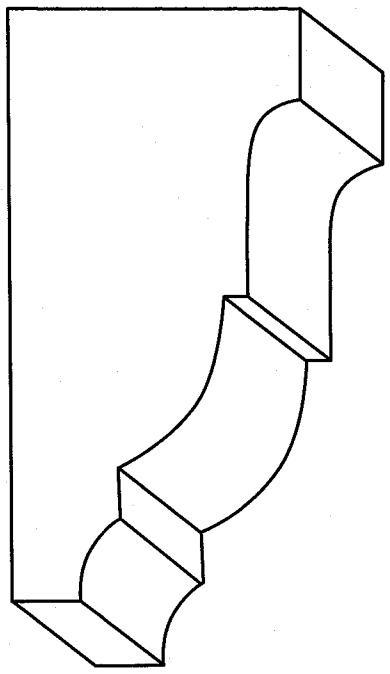


E-5281
1-5/8 x 4



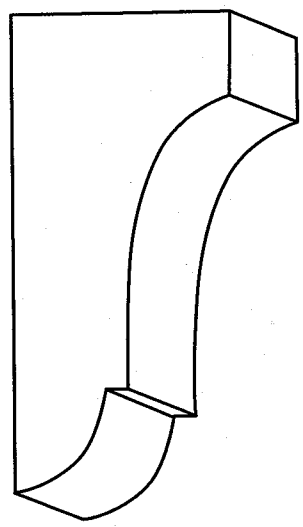
1243

1-5/8 x 3-7/16



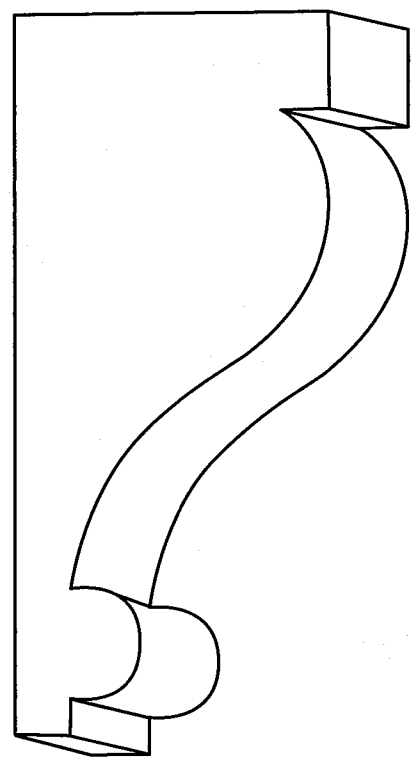
1242

1-1/2 x 3-1/16



1263

1-1/8 x 2-1/2



1264

1-5/8 x 3-3/4