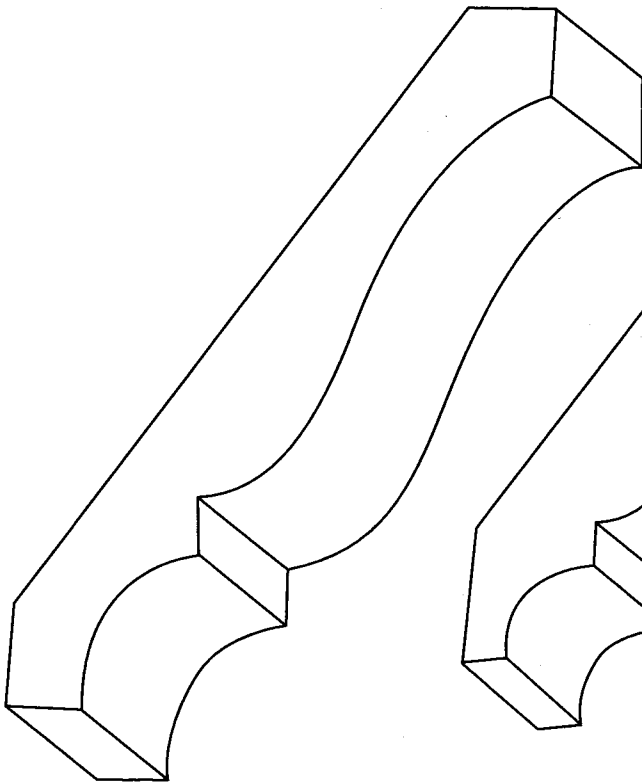
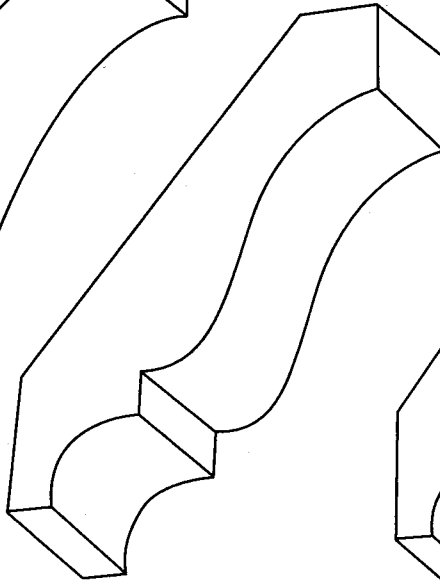


CROWNS



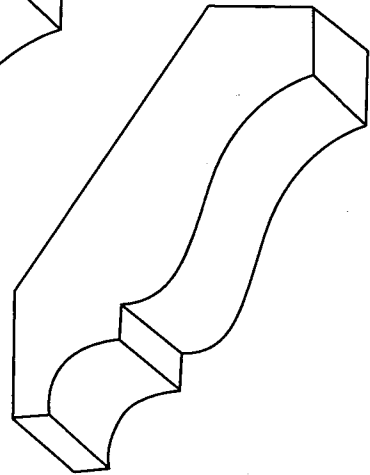
1104

$5/8 \times 4-5/8$



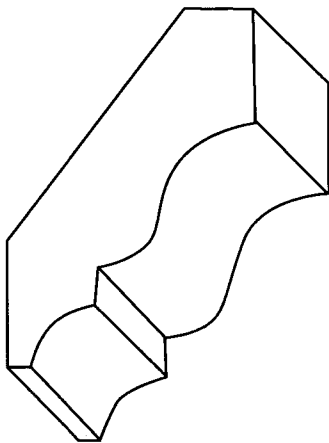
1103

$5/8 \times 3-1/4$



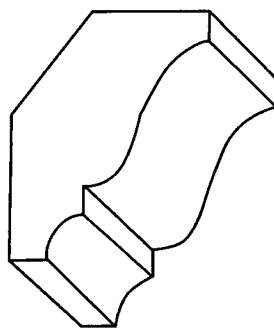
1102

$5/8 \times 2-5/8$



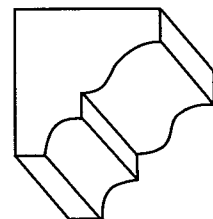
2102

$5/8 \times 2-1/4$



1101

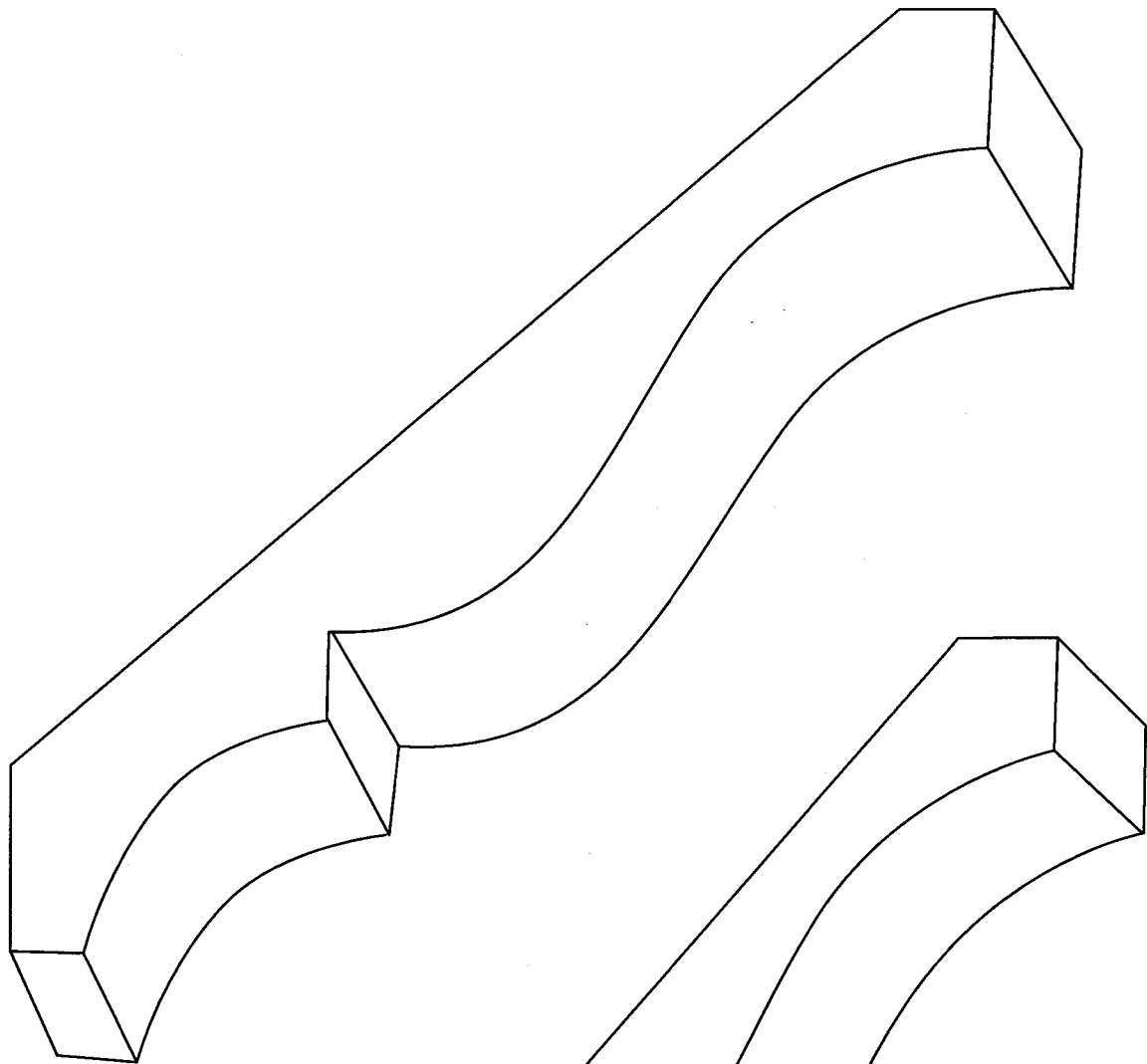
$5/8 \times 1-5/8$



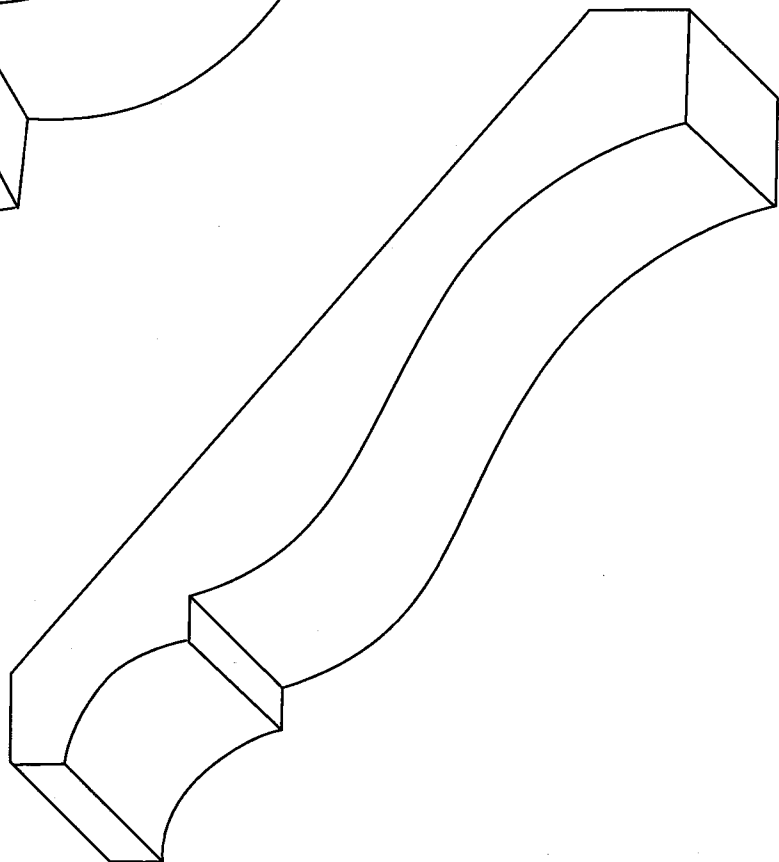
1100

$3/4 \times 3/4$

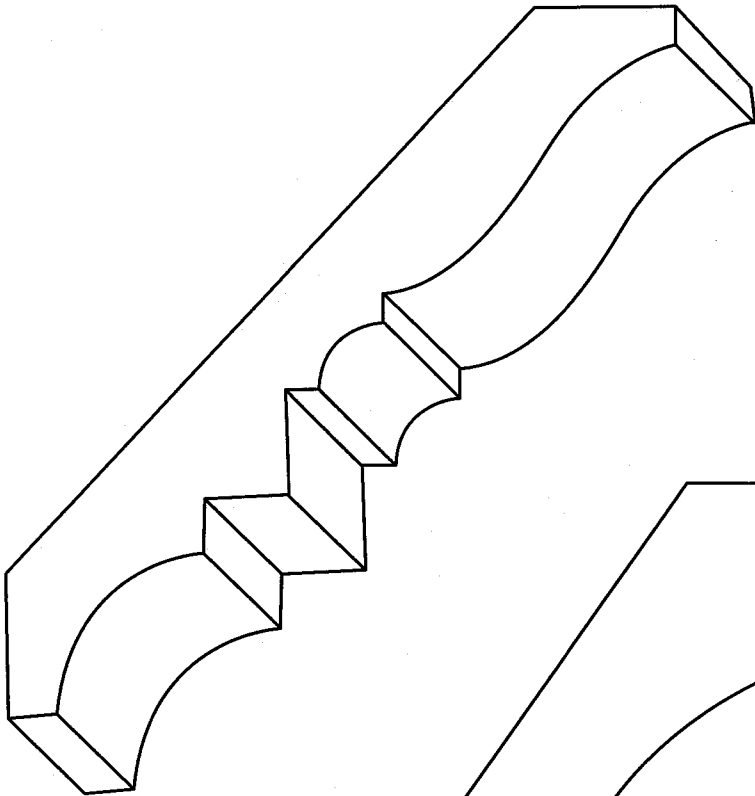
CROWNS



1134
7/8 x 7-1/8

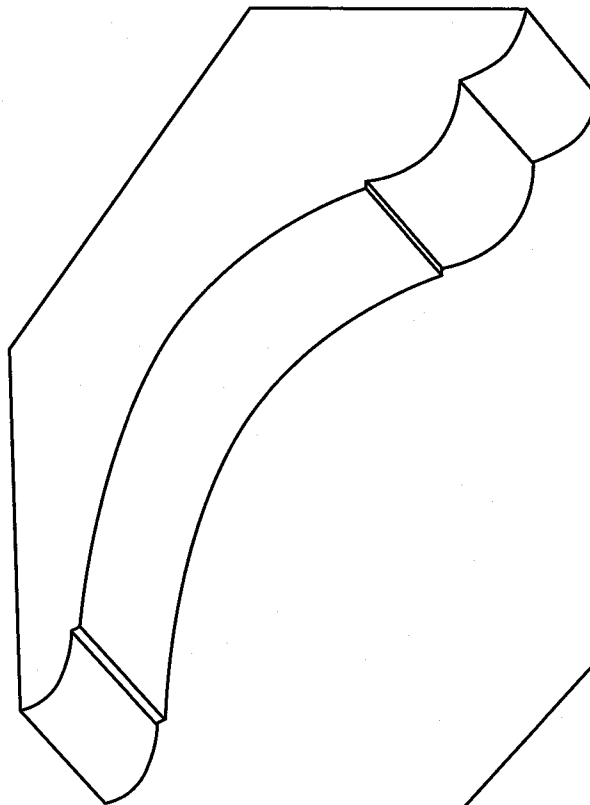


1105
11/16 x 5-1/4



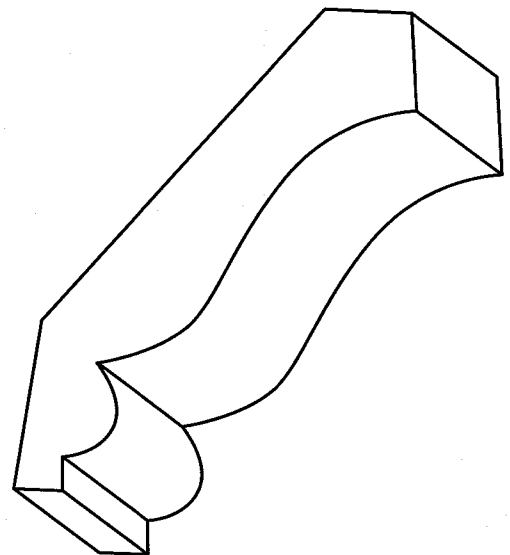
1106

3/4 x 5



1111

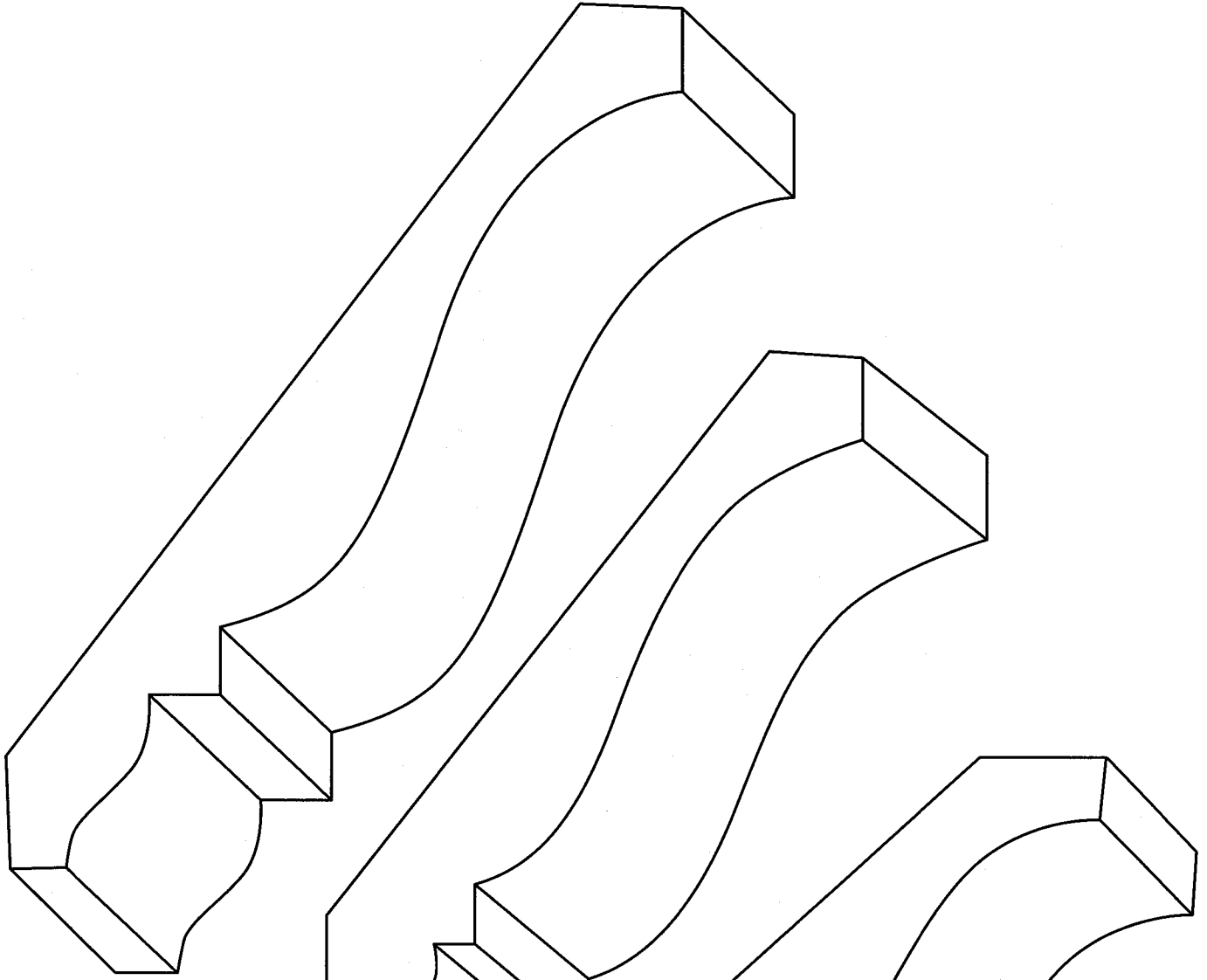
1-1/8 x 4-7/16



1109

11/16 x 3-3/16

CROWNS



1107

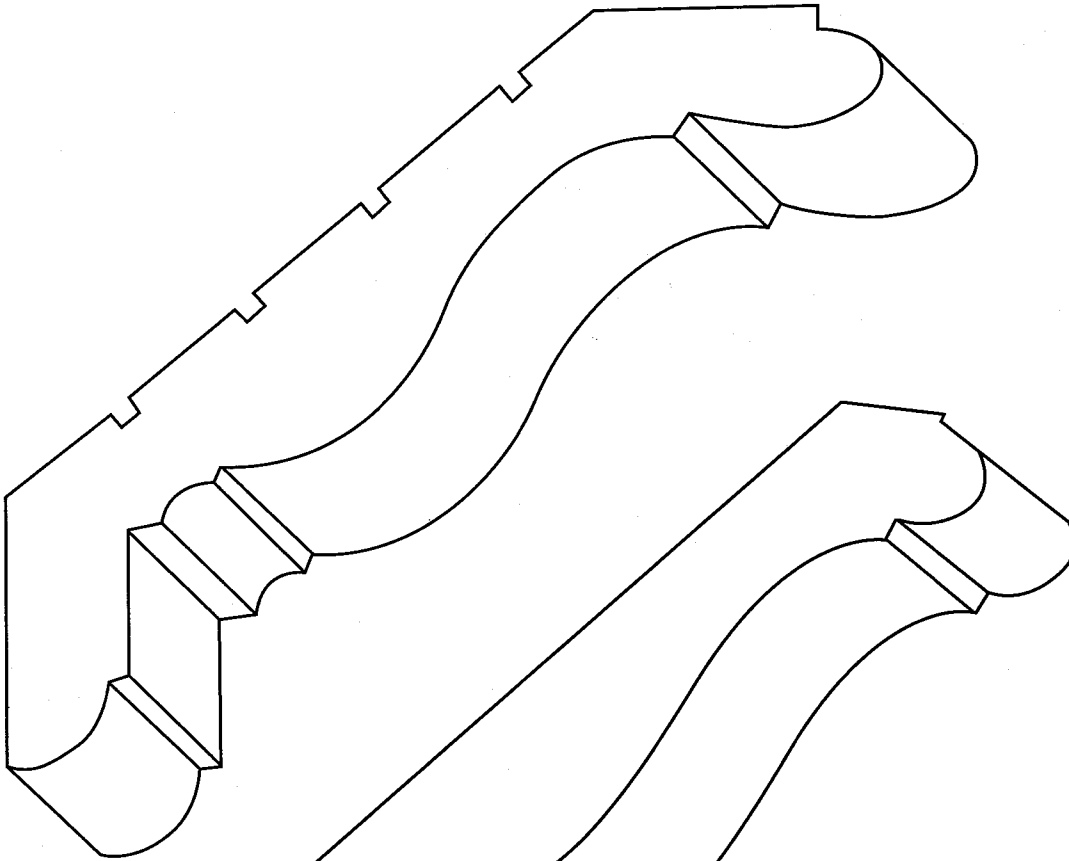
7/8 x 6-1/2

1108

7/8 x 5-1/4

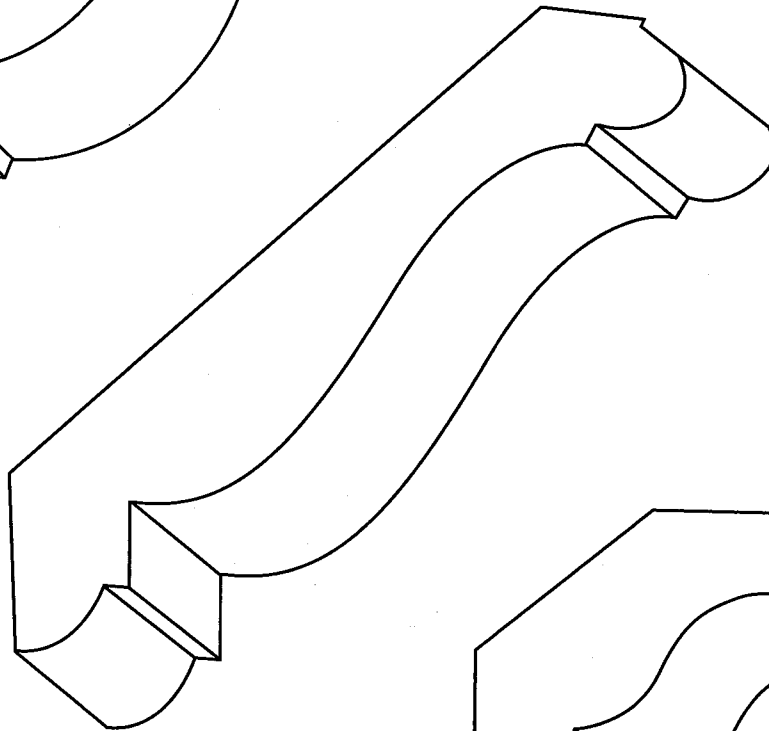
1116

3/4 x x 4-1/8



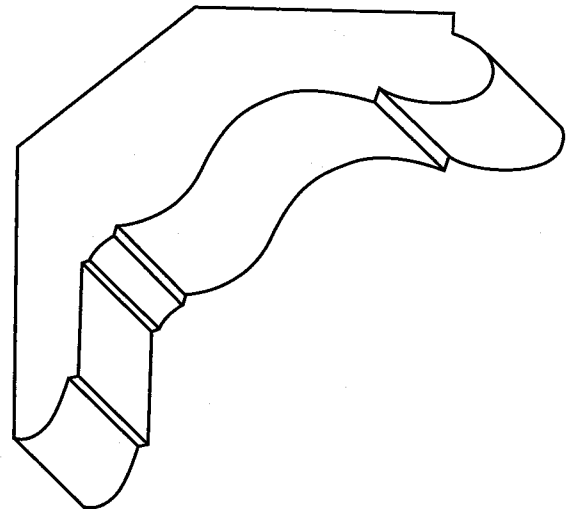
1113

1-1/4 X 5-3/4



1112

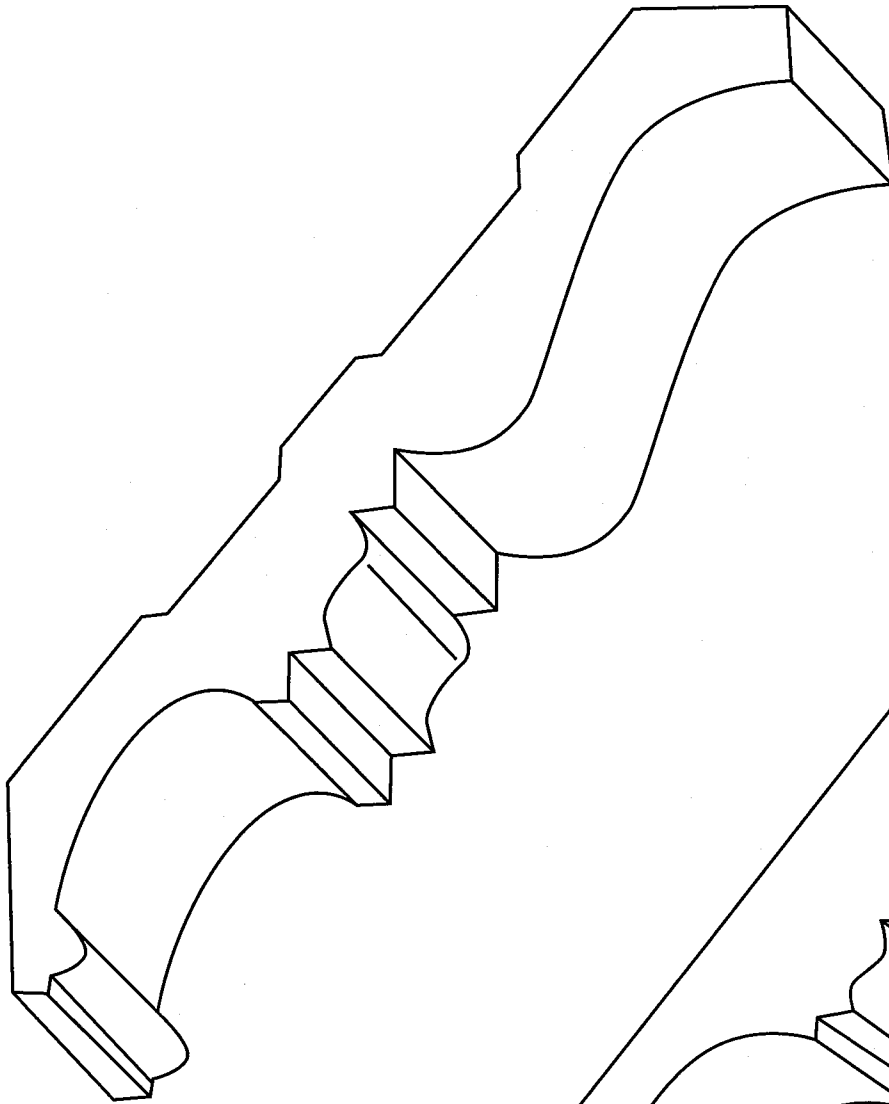
3/4 X 4-9/16



1110

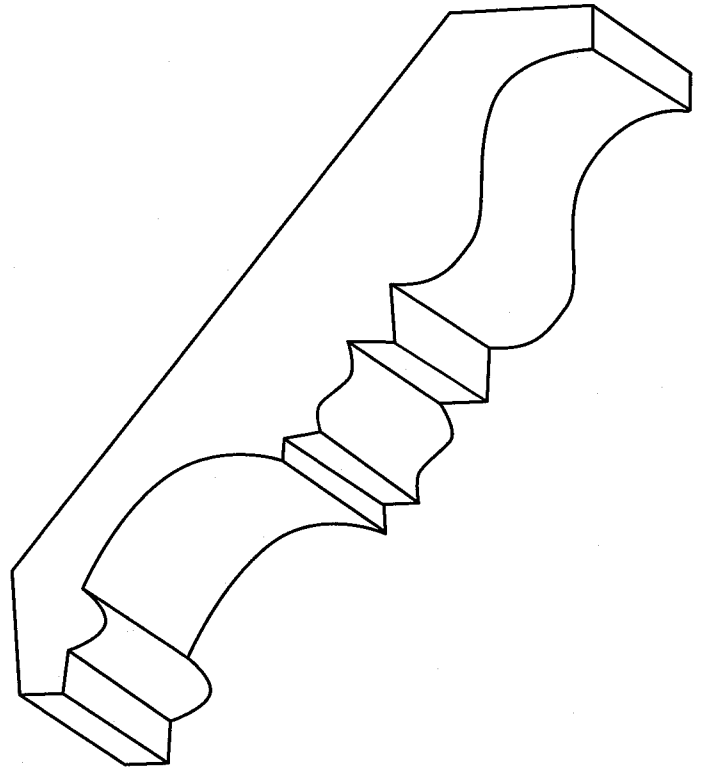
1-1/4 X X 3-1/8

CROWNS



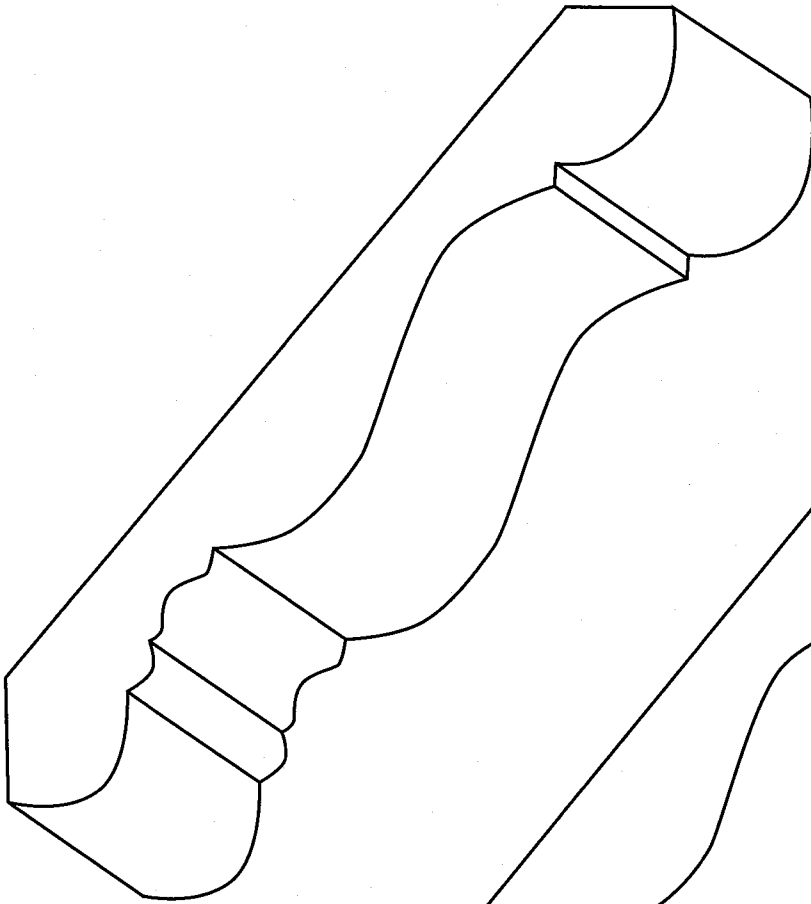
1115

7/8 x 6-1/2



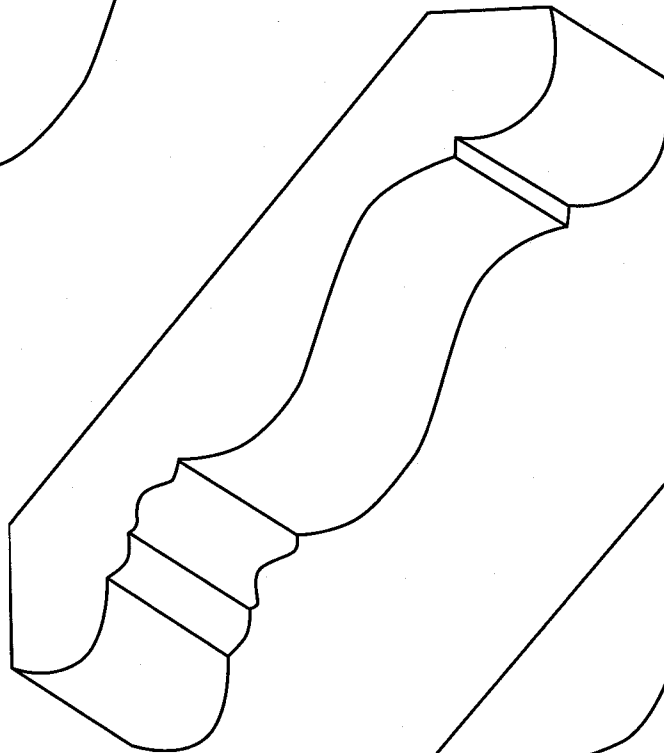
1114

7/8 x 4-5/8



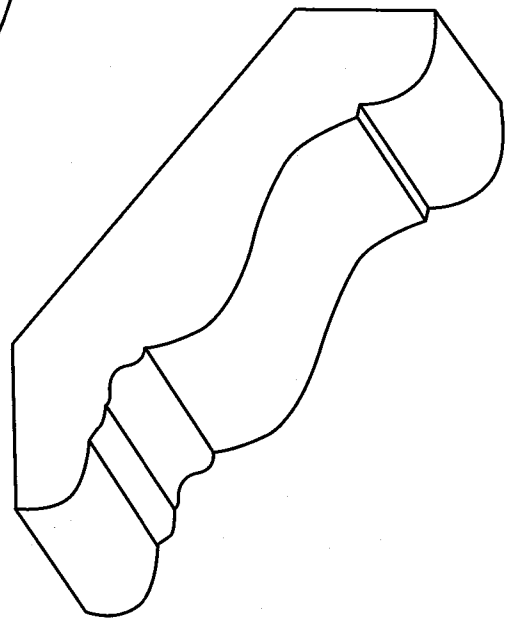
1119

$3/4 \times 5-3/8$



1118

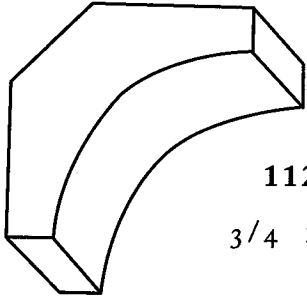
$3/4 \times 4-3/8$



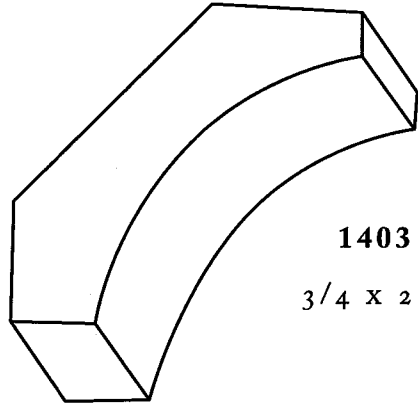
1117

$3/4 \times 3-3/8$

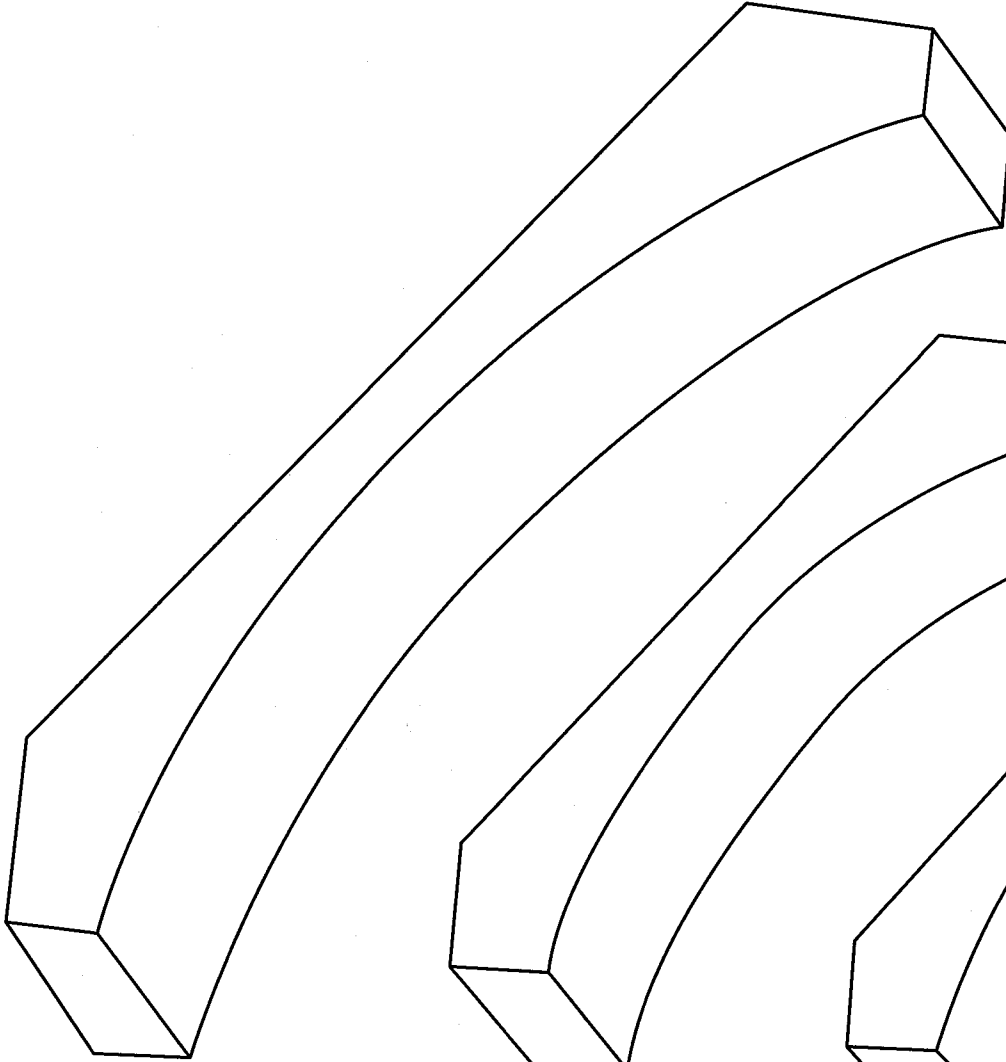
CROWNS



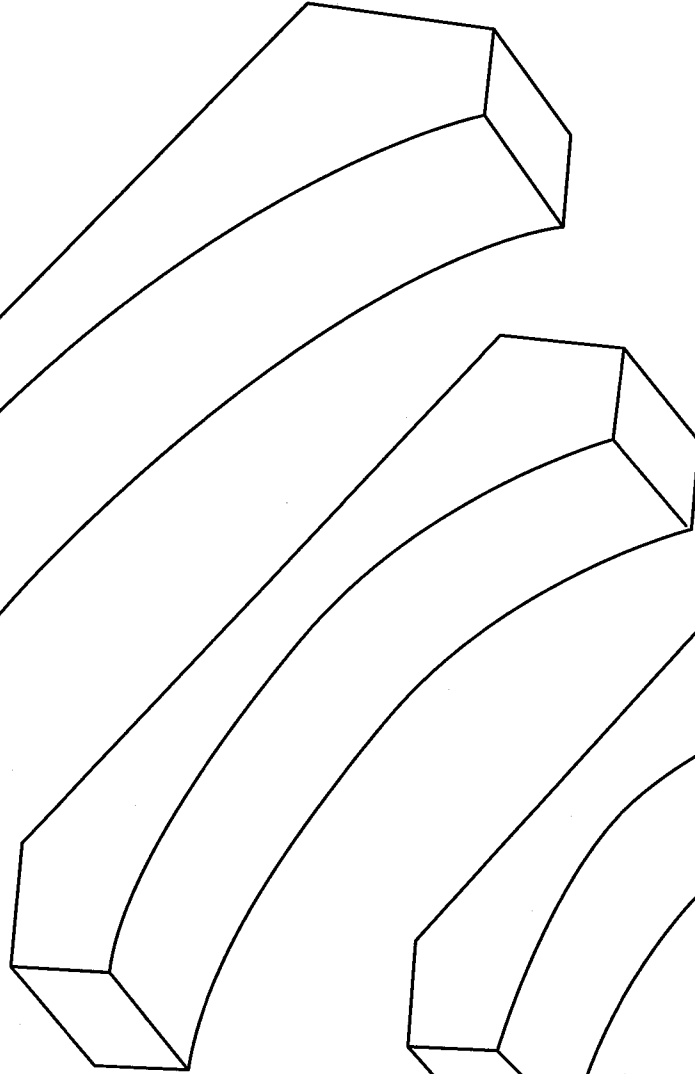
1120
3/4 x 1-3/4



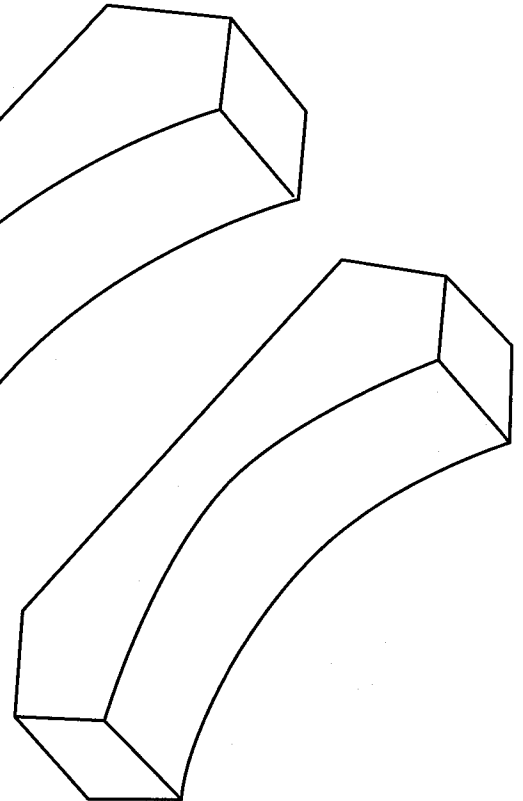
1403
3/4 x 2-7/16



1123
1-1/16 x 6-3/4



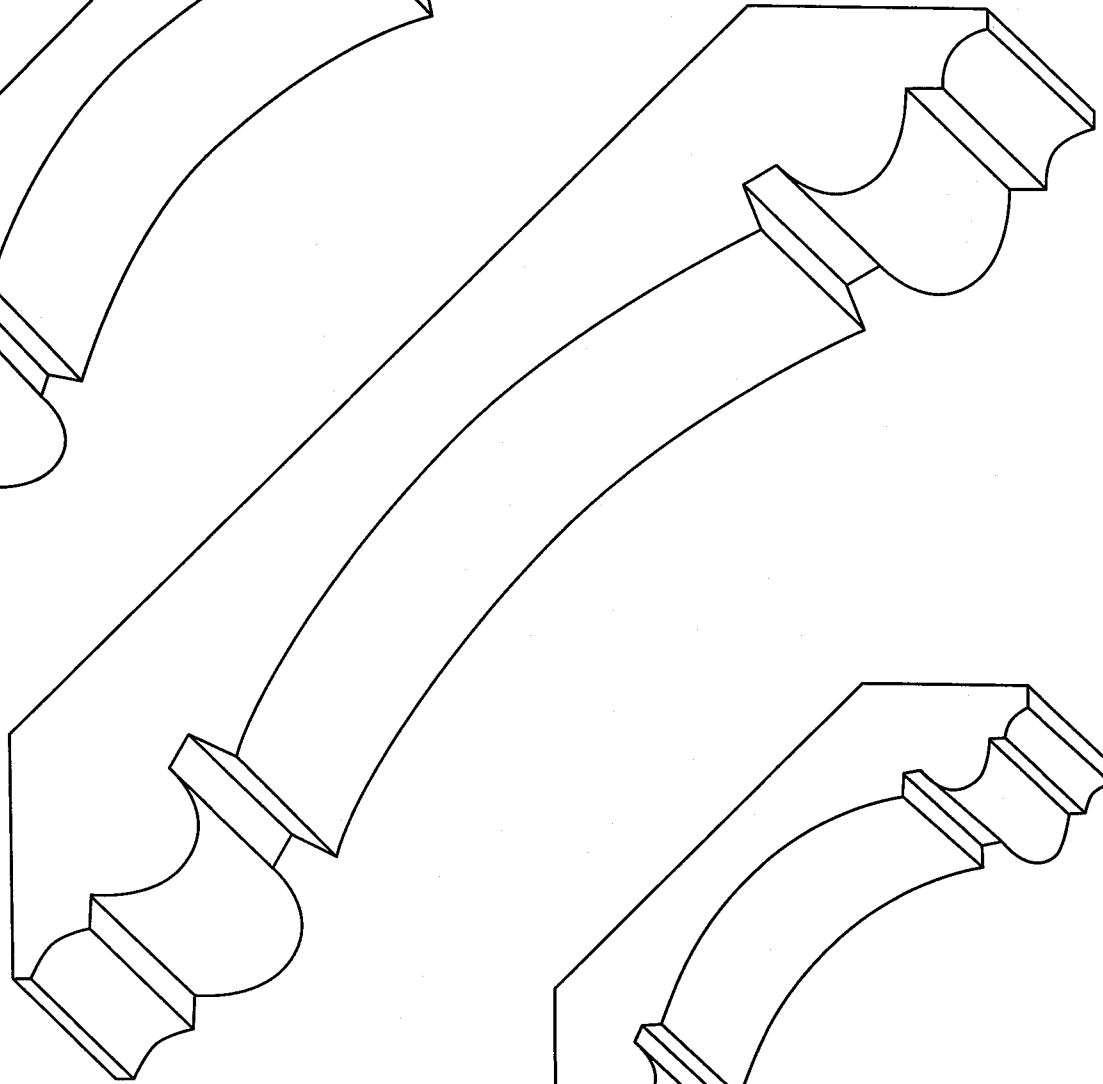
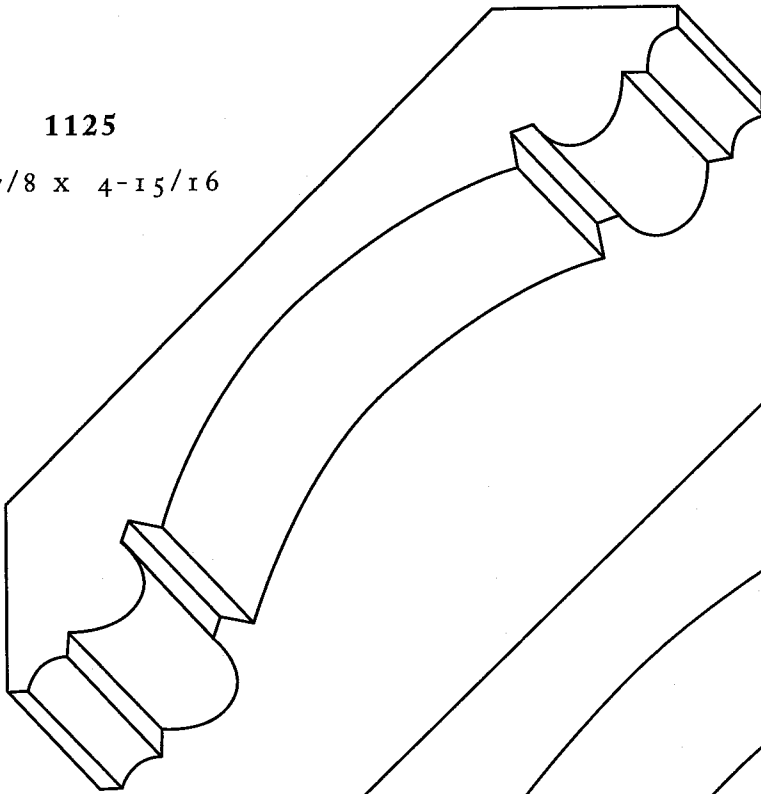
1122
13/16 x 4-1/2



1121
11/16 x 3-3/16

1125

$7/8 \times 4-15/16$

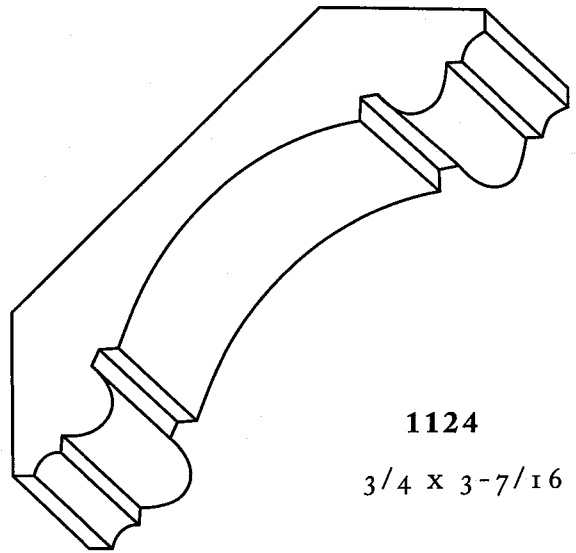


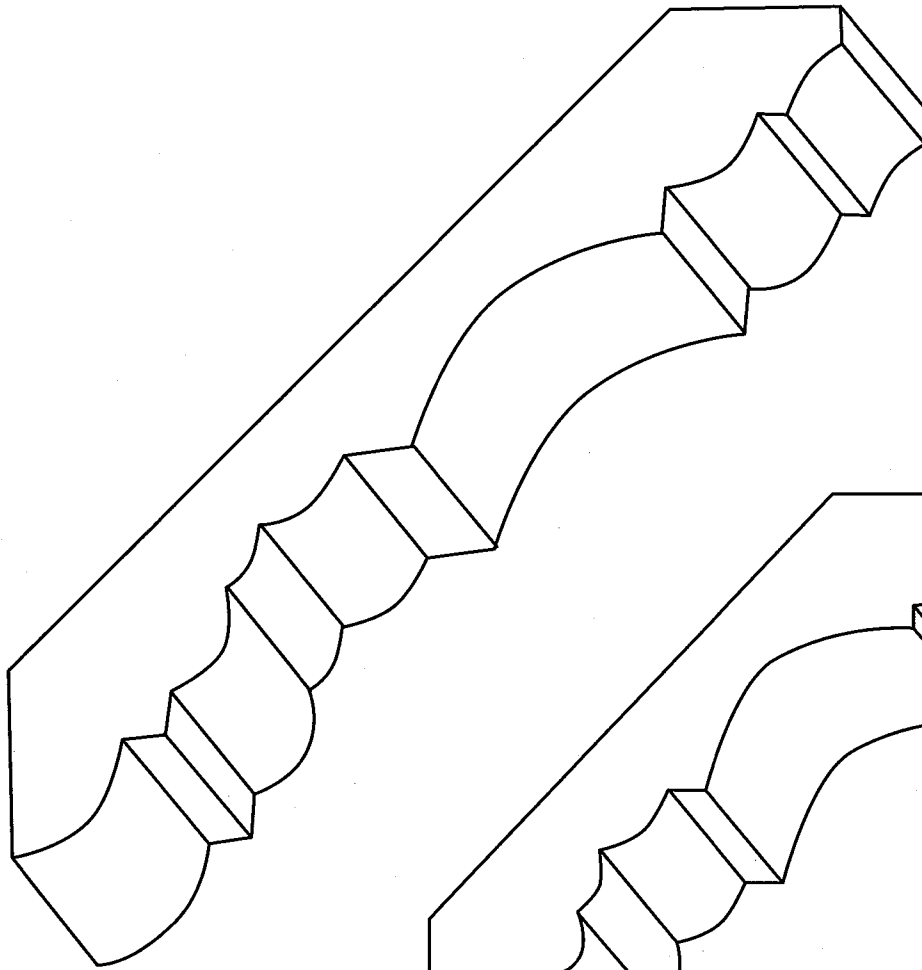
1126

$1-1/8 \times 7-1/8$

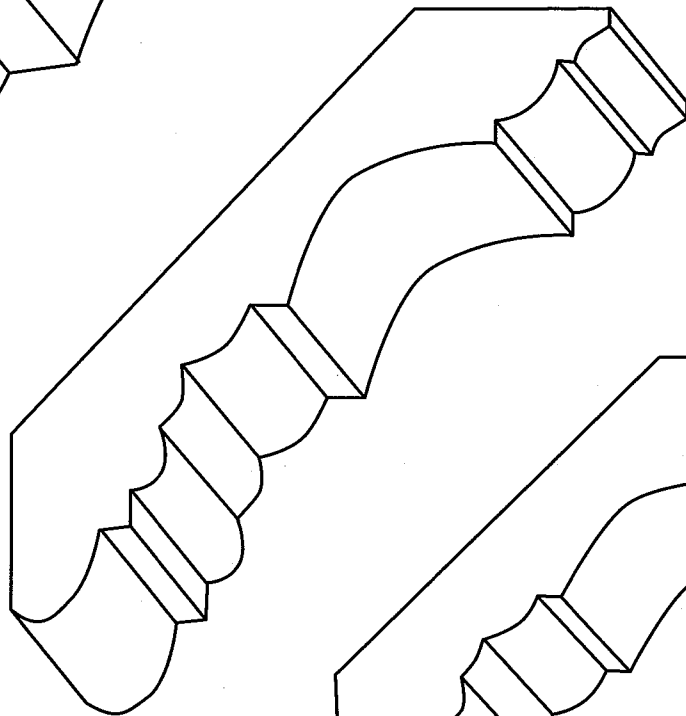
1124

$3/4 \times 3-7/16$

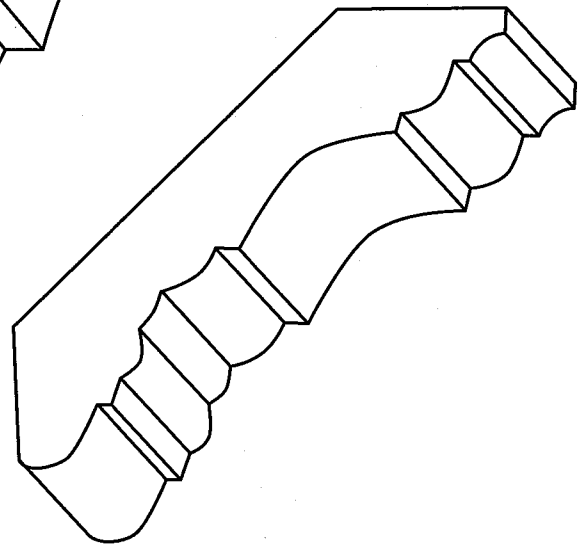




1129
7/8 x 6-1/8



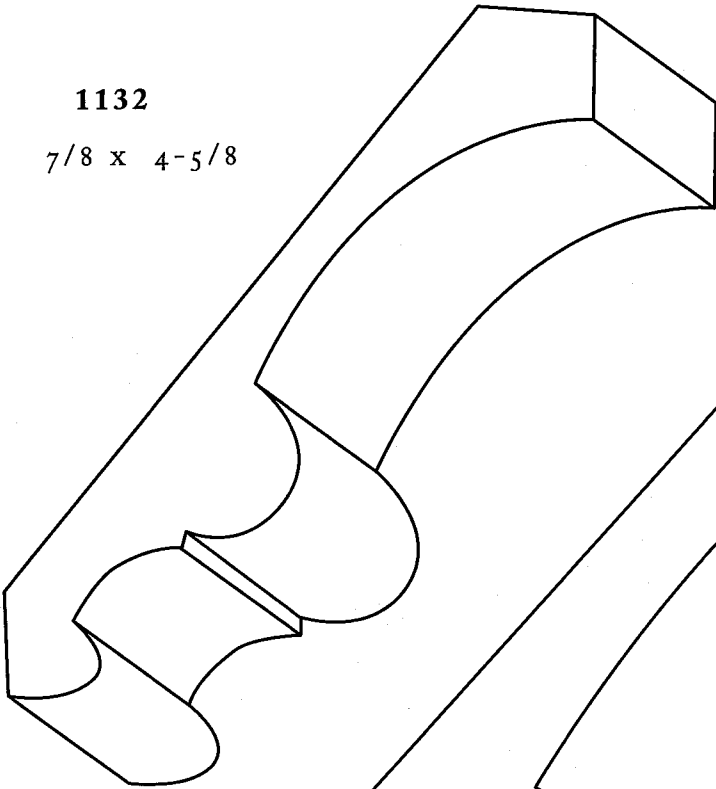
1128
13/16 x 4-7/16



1127
11/16 x 3-7/16

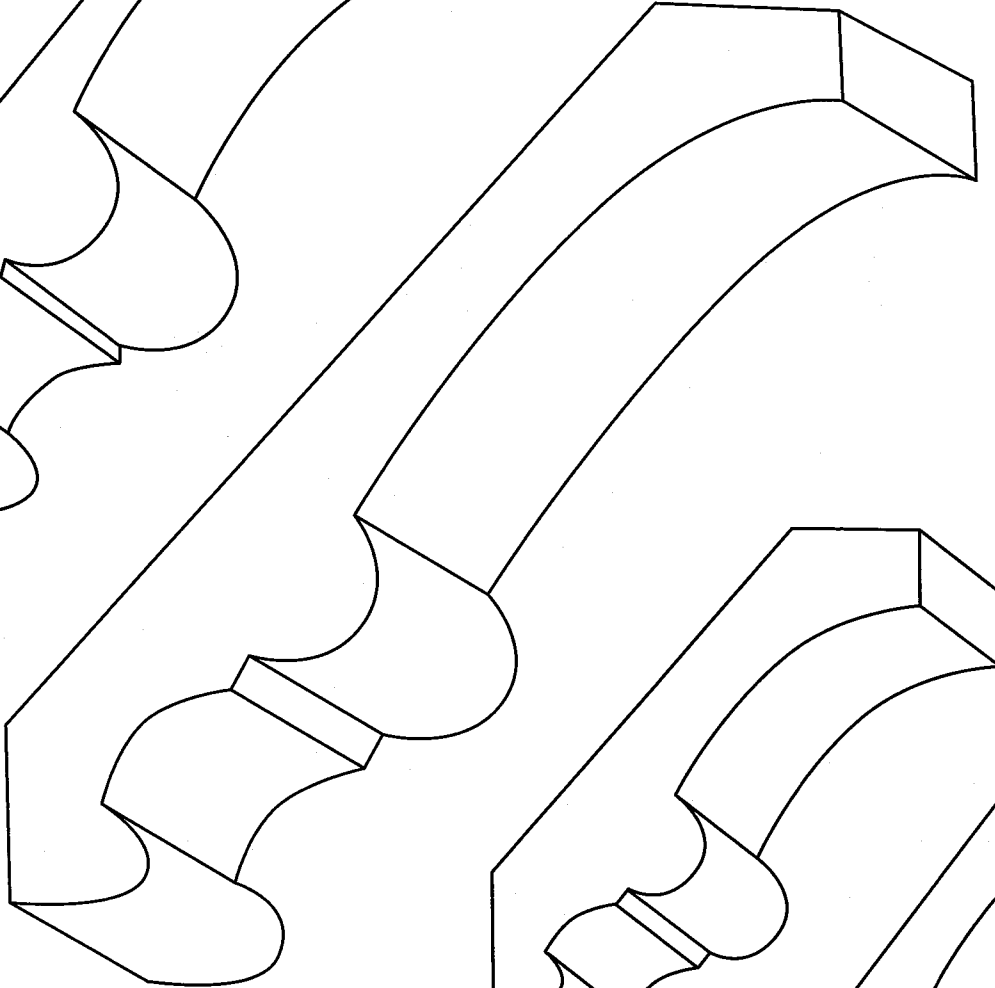
1132

7/8 x 4-5/8



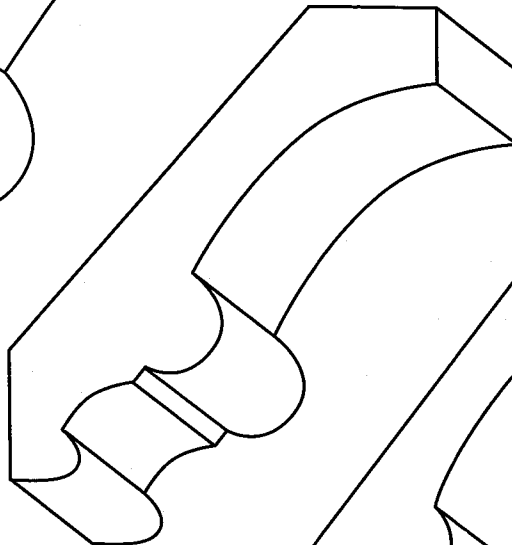
1133

7/8 x 6-5/16



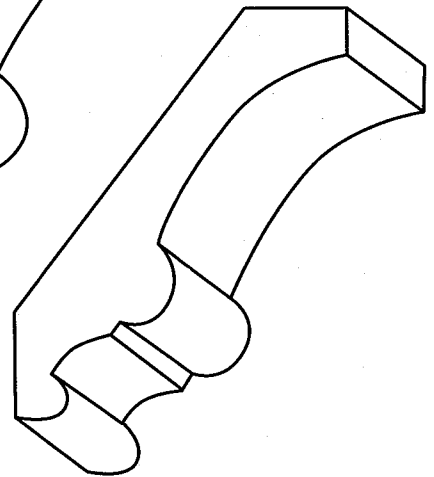
1131

3/4 x 3-1/4



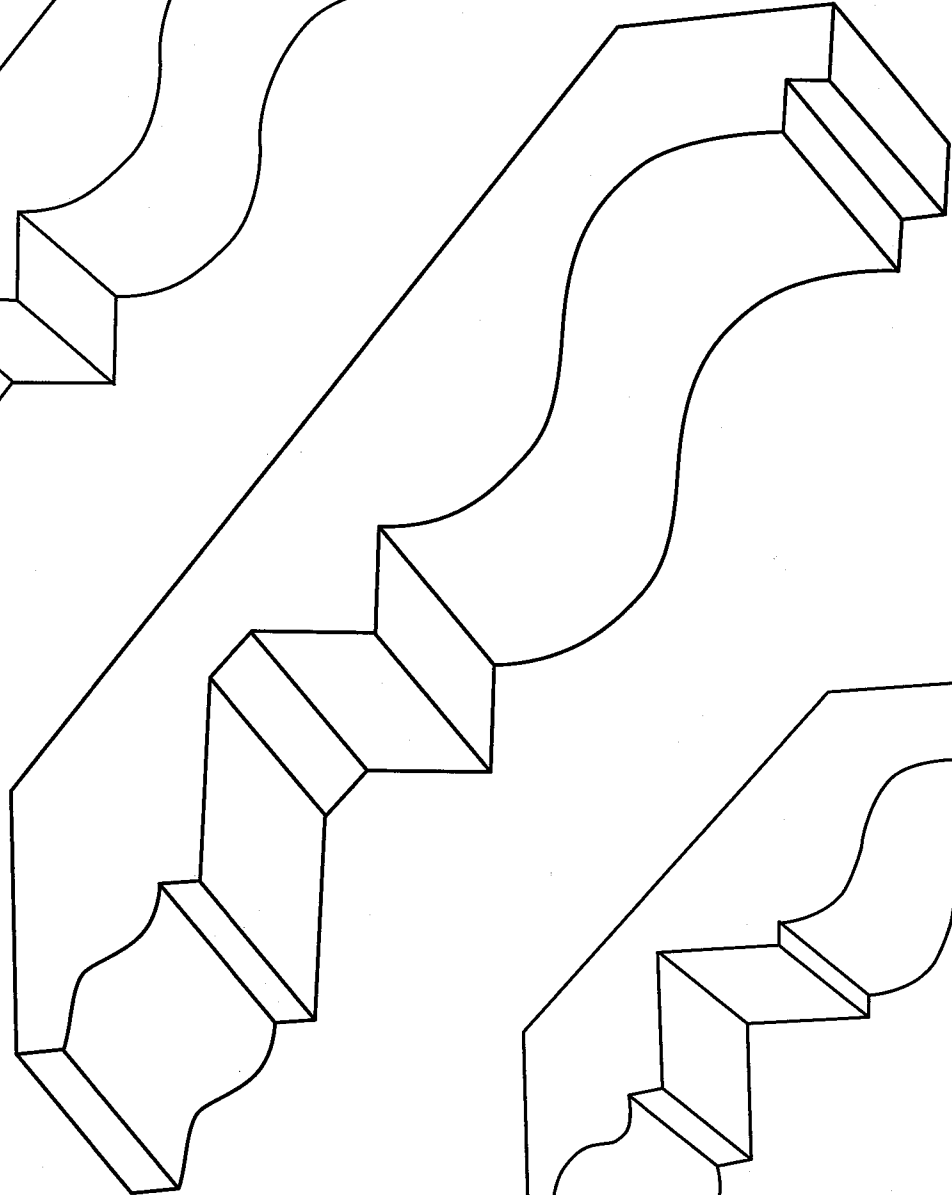
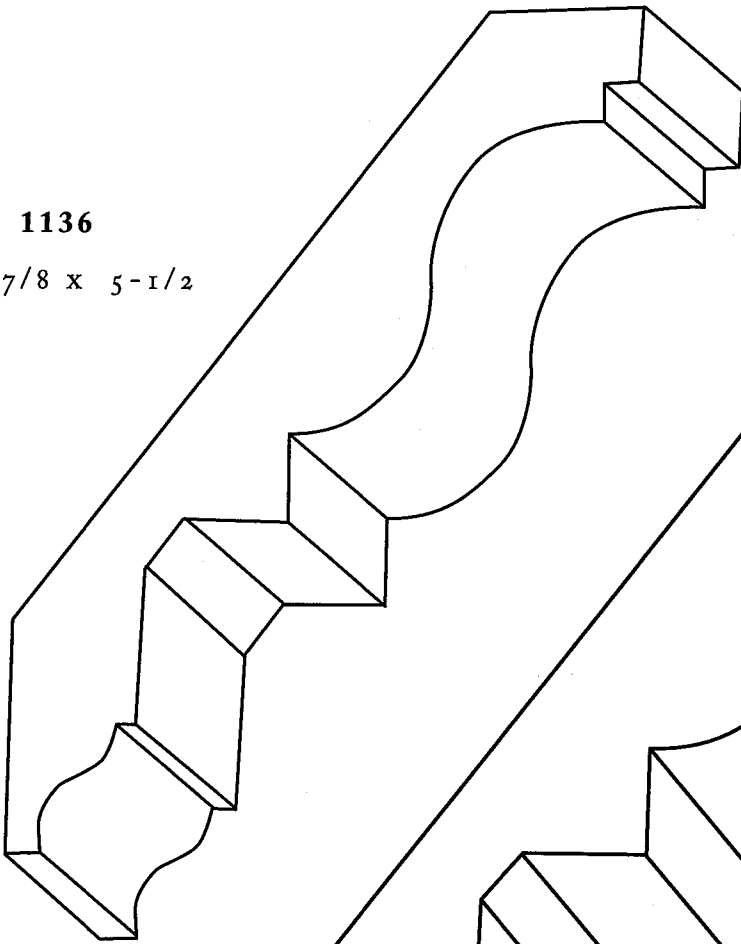
1130

5/8 x 2-3/4



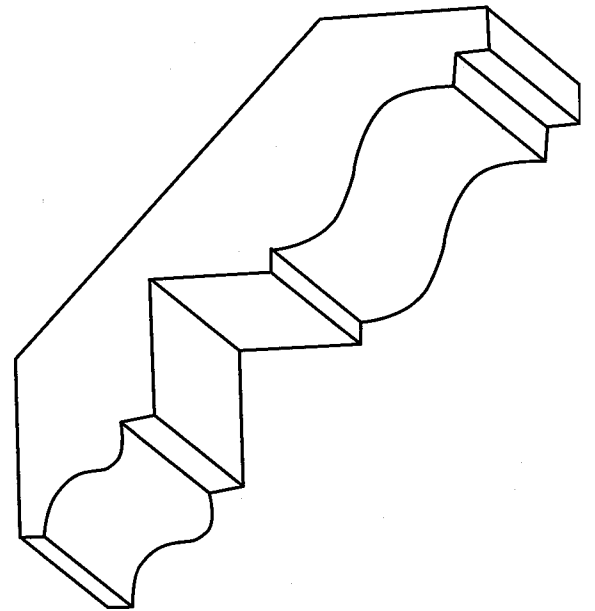
1136

7/8 x 5-1/2



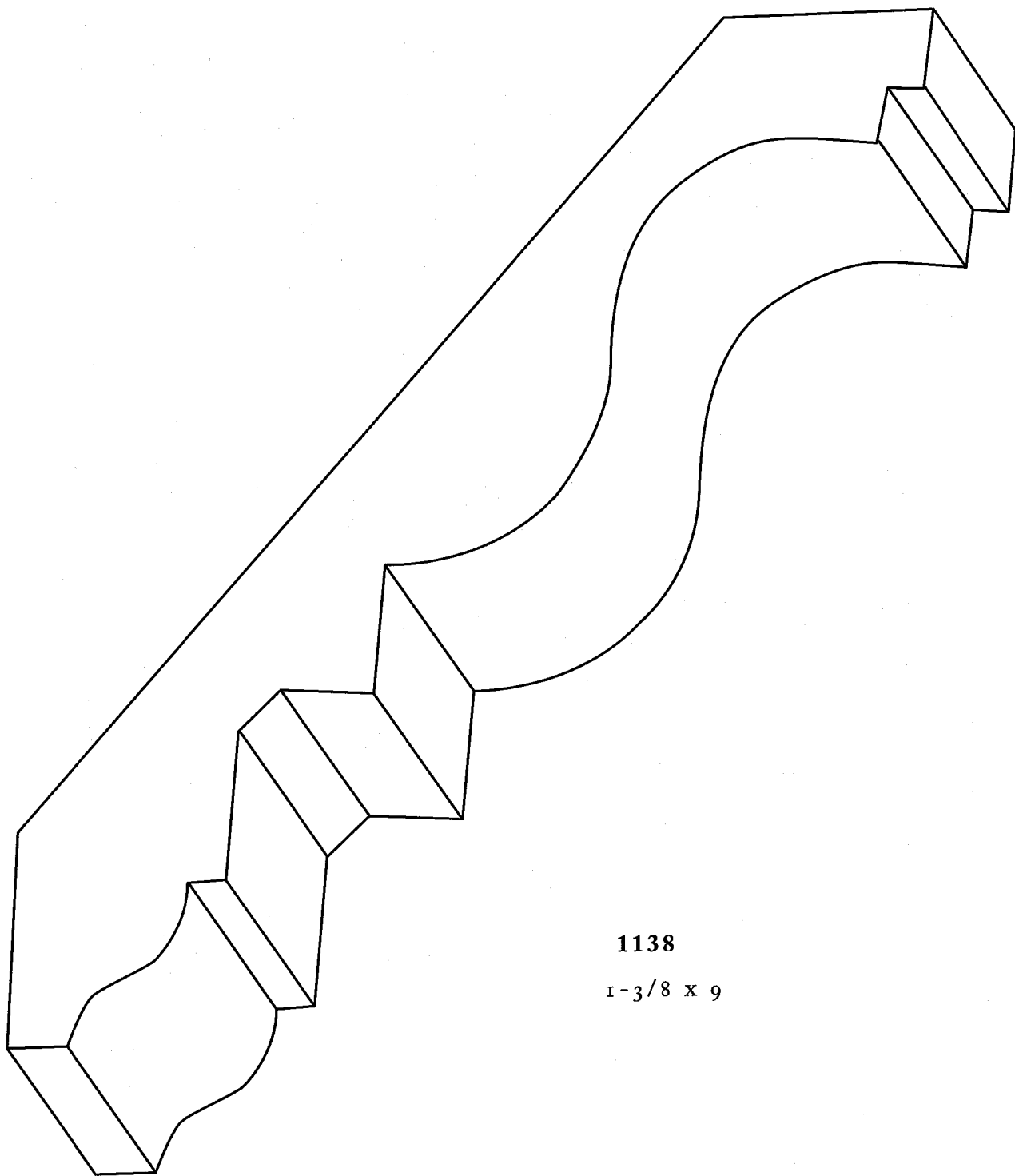
1137

1-1/16 x 6-7/8



1135

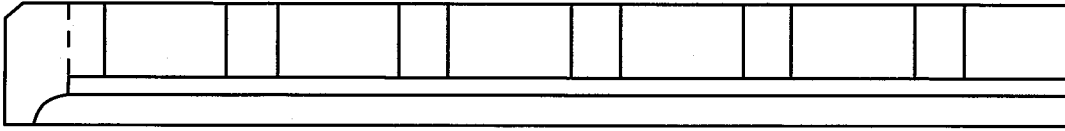
3/4 x 3-5/8



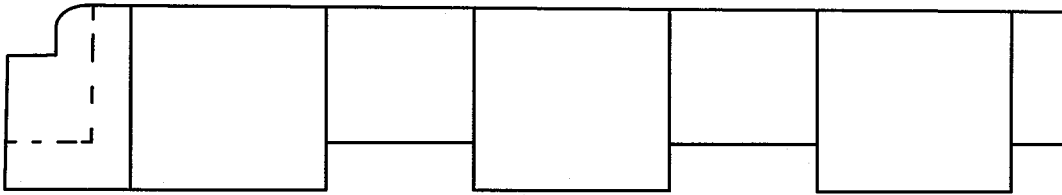
1138

1-3/8 x 9

DENTIL MOULDINGS



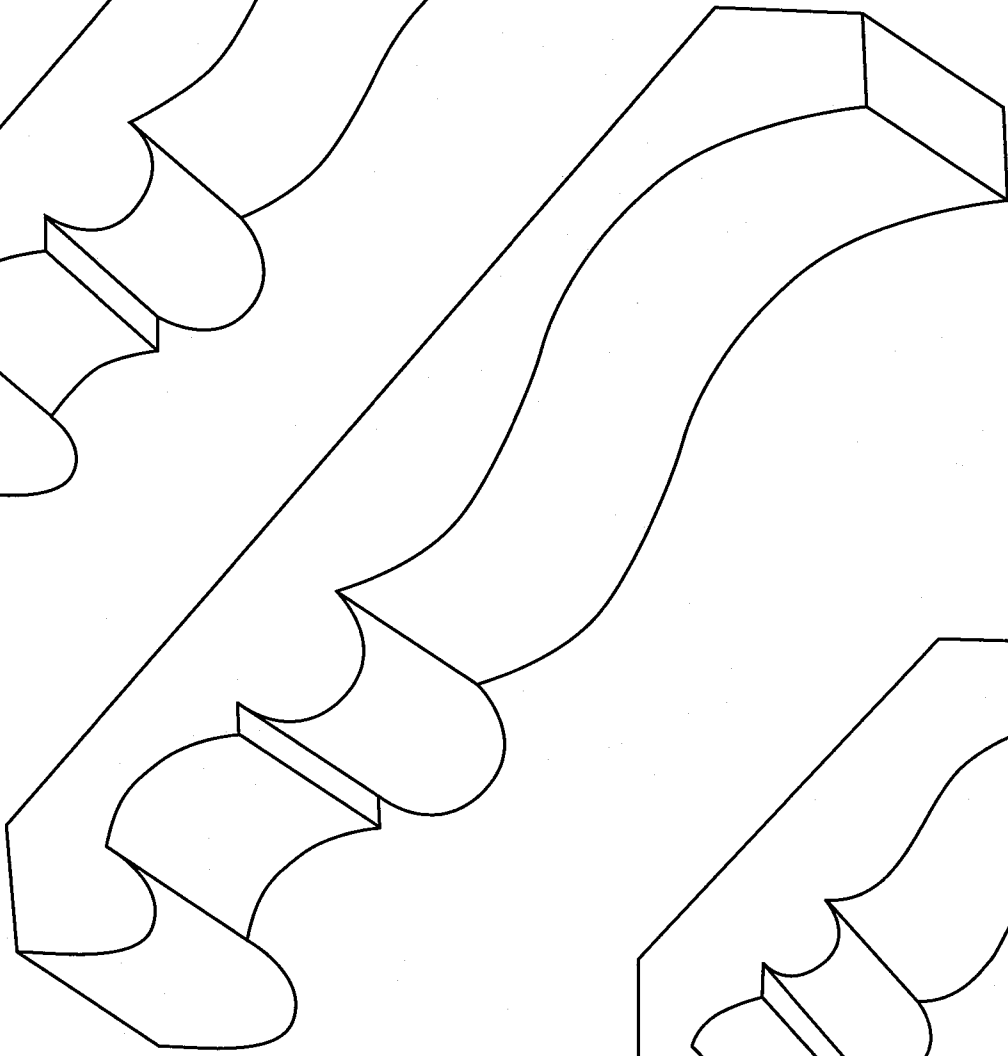
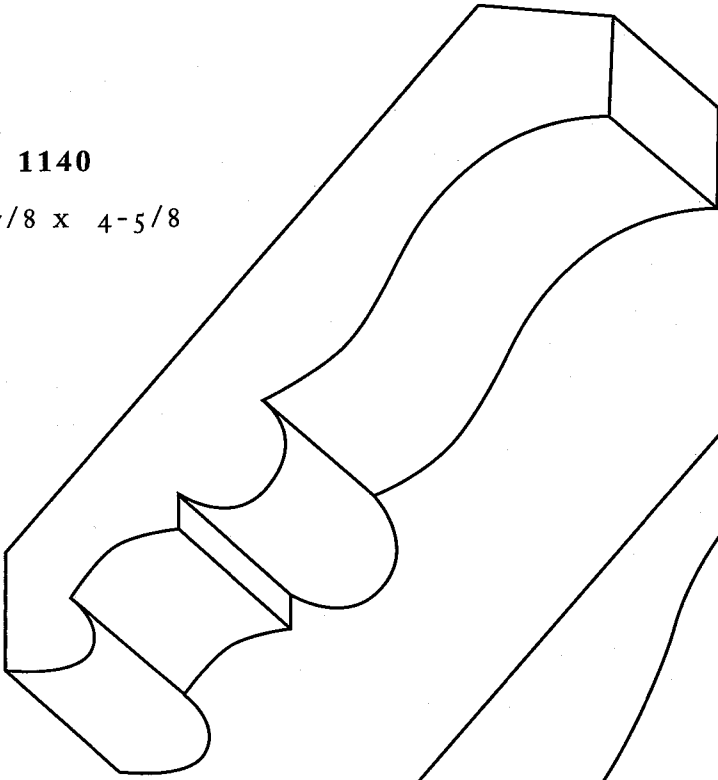
4000
1/2 x 5/8



4001
5/8 x 15/16

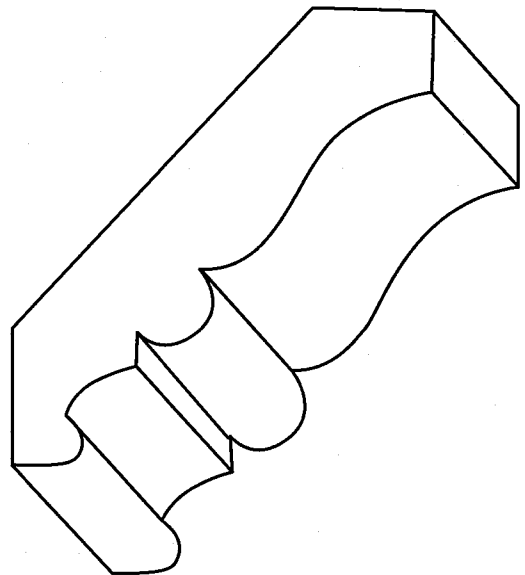
1140

7/8 x 4-5/8



1141

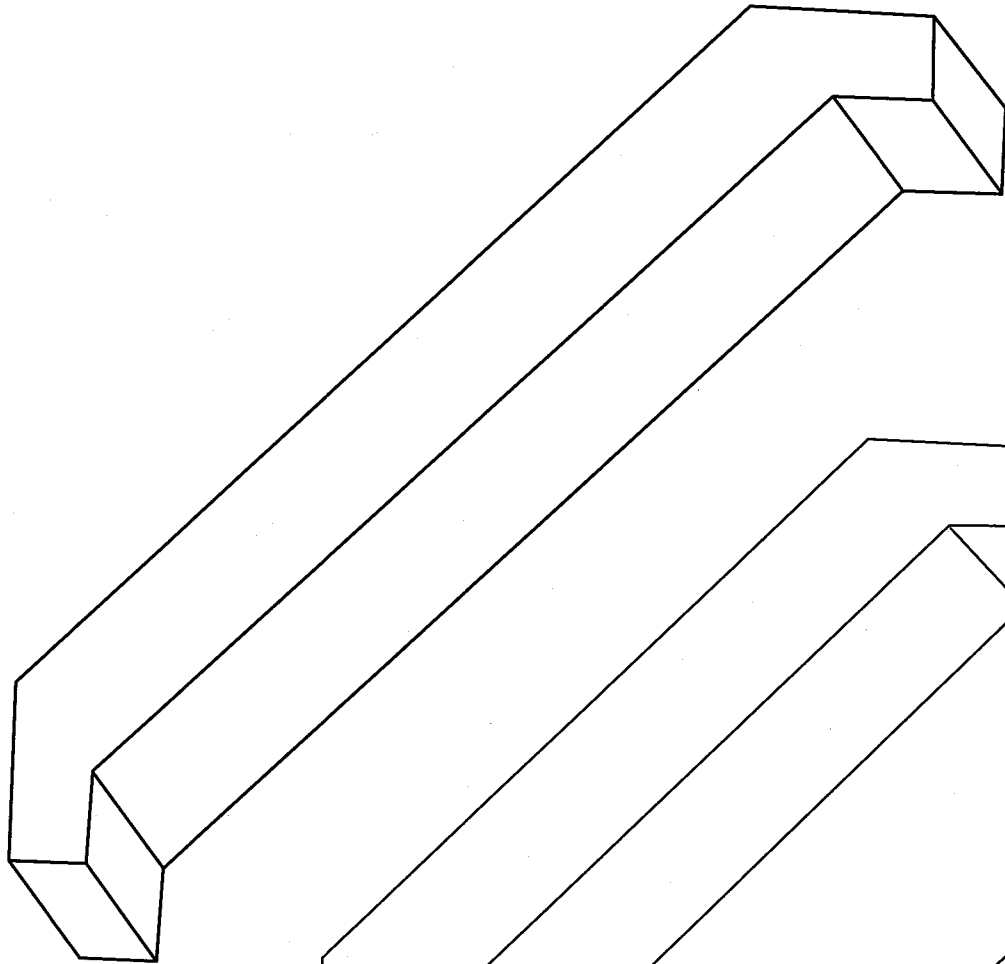
7/8 x 6-9/16



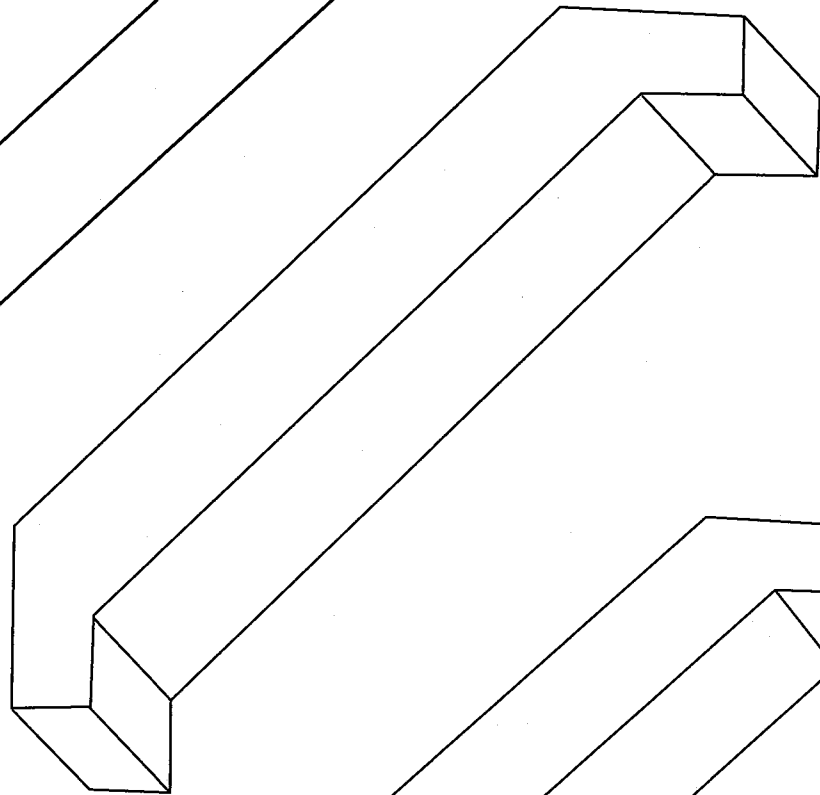
1139

3/4 x 3-1/4

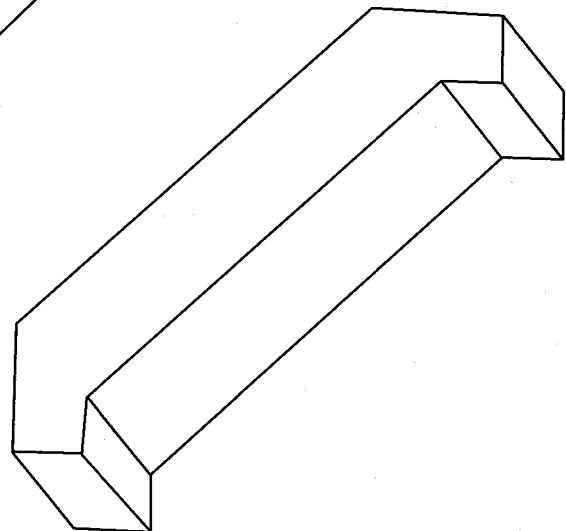
CROWNS



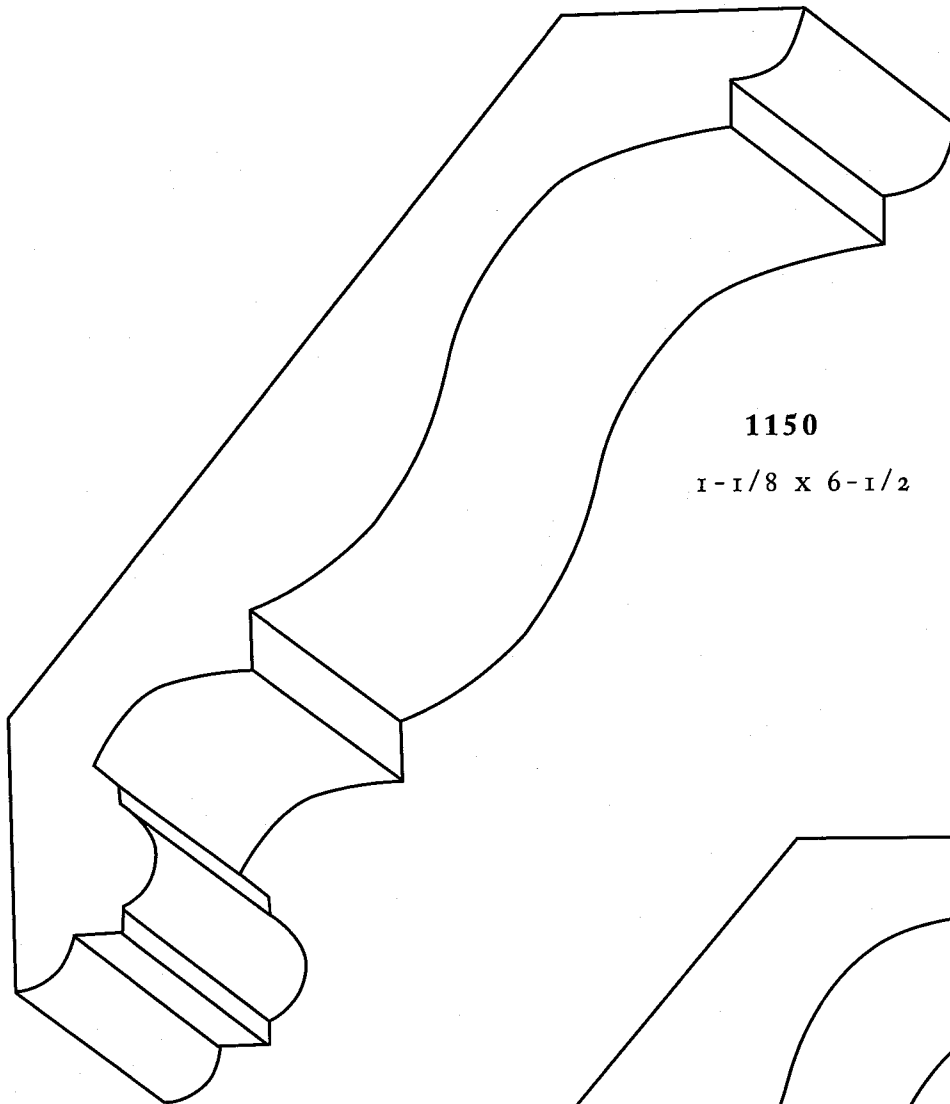
1144
1 X 6-1/2



1143
1 X 5-1/4

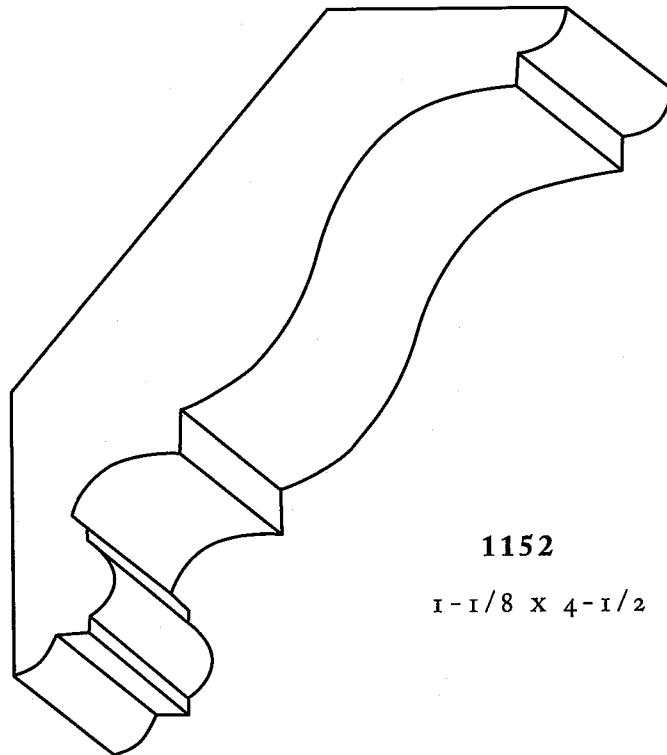


1142
3/4 X 3-3/8



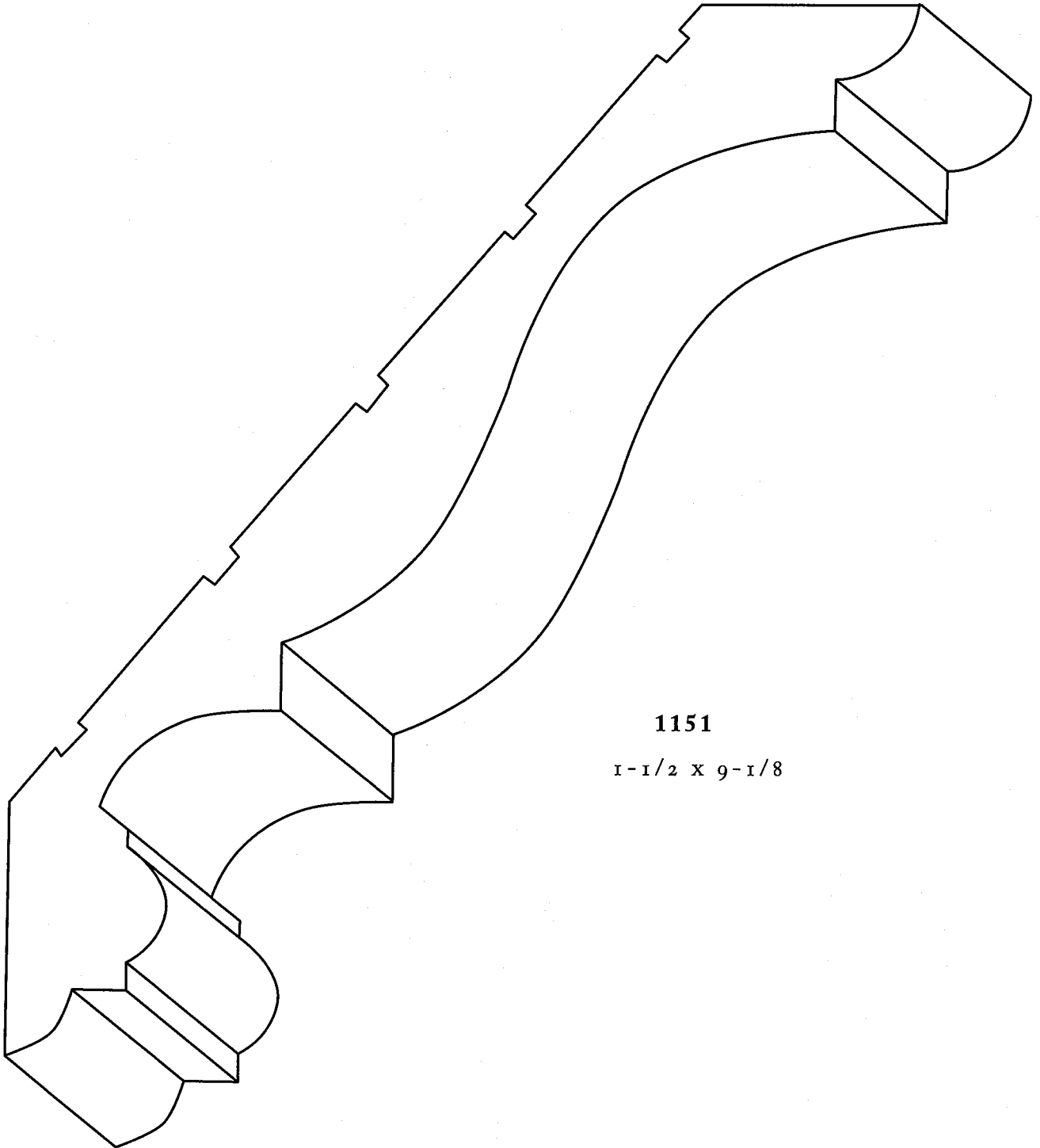
1150

1-1/8 x 6-1/2



1152

1-1/8 x 4-1/2

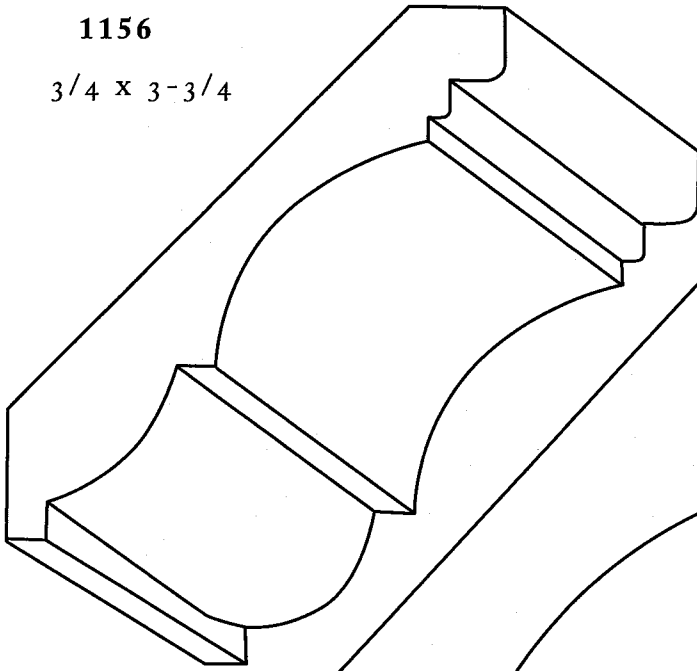


1151

1-1/2 x 9-1/8

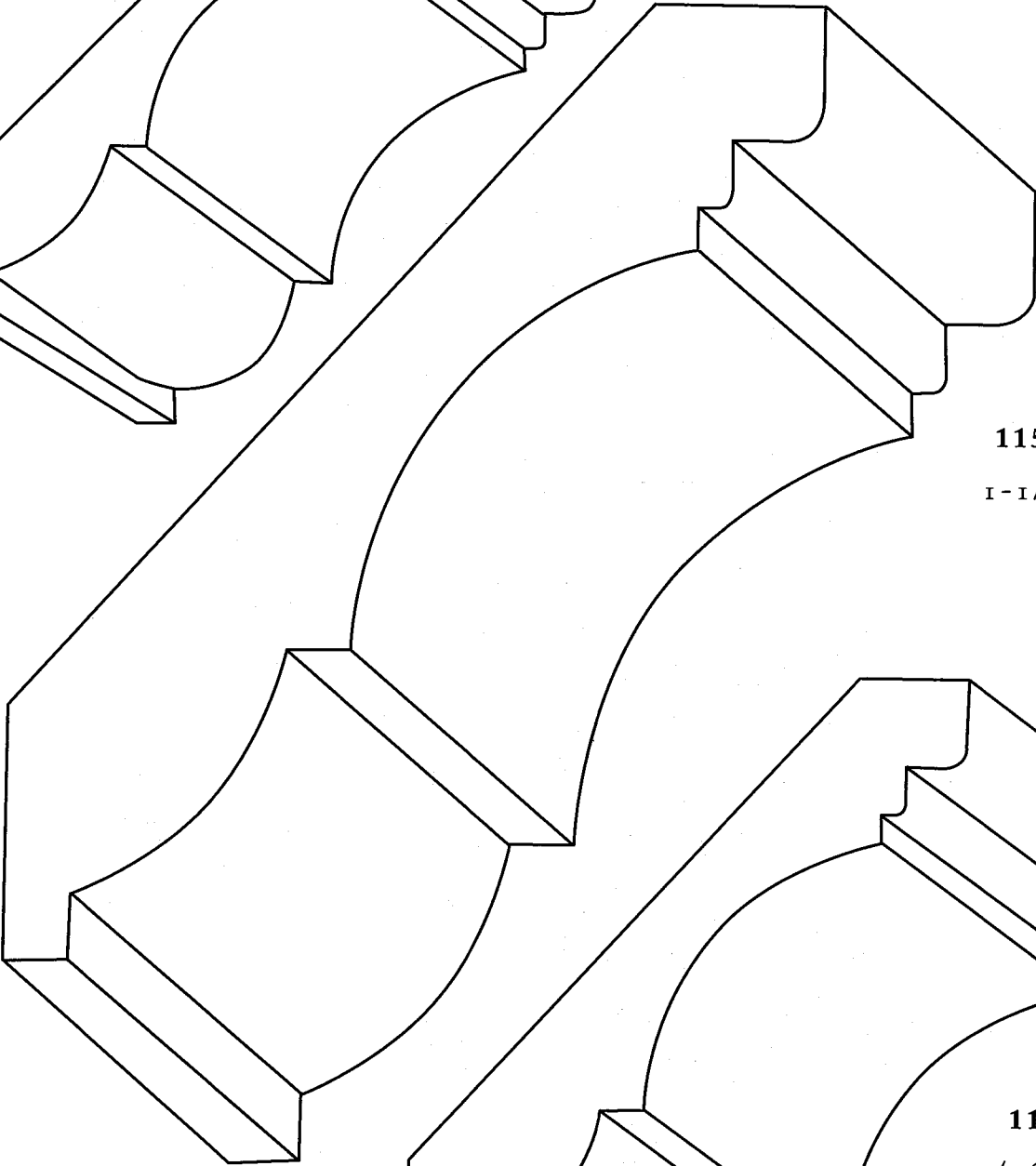
1156

$3/4 \times 3-3/4$



1158

$1-1/8 \times 7$



1157

$13/16 \times 4-3/4$

