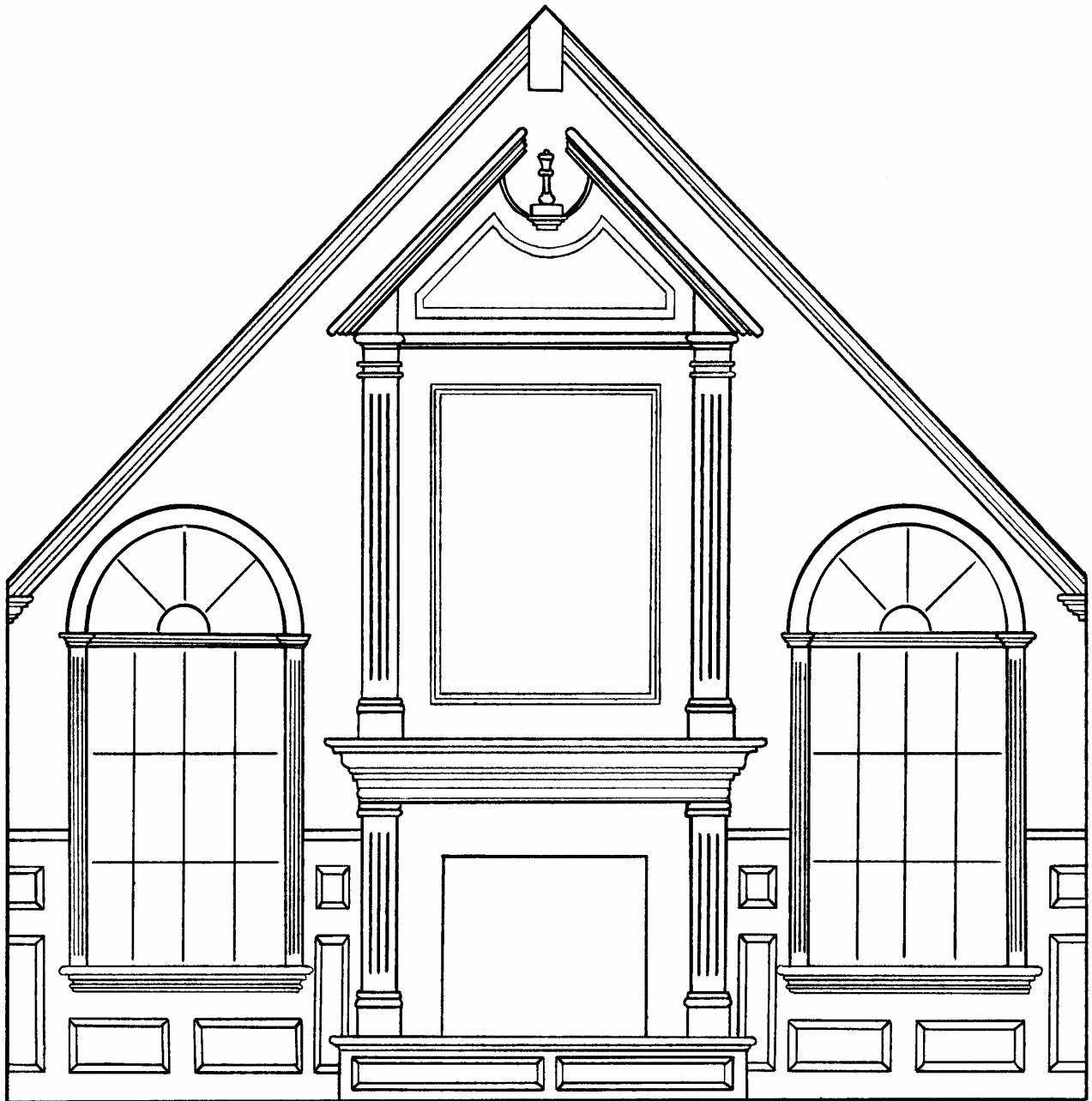


Yesteryears Millwork

HOME DESIGN BOOK



WWW.YESTERYEARS MILLWORK.COM

CLIENT / CARMEL DEVELOPMENT	YESTERYEARS MILLWORK / FINISH SCHEDULE				
PROJECT /	LOCATION	LOCATION	LOCATION	LOCATION	LOCATION
JOB ADDRESS / 1331 17 MILE DRIVE PEBBLE BEACH, CA.	FOYER	POWDER ROOM	LIVING ROOM	DINING ROOM	BUTLER'S PANTRY
PAINT-GRADE / STAIN-GRADE	PAINT-GRADE	PAINT-GRADE	PAINT-GRADE	PAINT-GRADE	PAINT-GRADE
BASE :	Z1	Z1	Z1	Z1	Z1
CLOSET BASE :	Z1	Z1	Z1	Z1	Z1
DOOR CASING :	Z2	Z2	Z2	Z2	Z2
CLOSET CASING	Z2	Z2	Z2	Z2	Z2
WINDOW CASING :	Z2	Z2	Z2	Z2	Z2
WINDOW STOOL :	Z3	Z3	Z3	Z3	Z3
WINDOW APRON :	Z3	Z3	Z3	Z3	Z3
WALL DETAILS :	N/A	N/A	N/A	R3 & R4	N/A
CEILING DETAILS :	PERIMETER C3	C2	PERIMETER C2	PERIMETER C2	C2
	RECESS C4		RECESS C4	RECESS C4	
SPECIAL DETAILS :	PNLD. C/O J1 & J2		PNLD. C/O J1 & J2	PNLD. C/O J1 & J2	
			VERT. MULLION M1	VERT. MULLION M1	

WWW.YESTERYEARSMILLWORK.COM

CLIENT / CARMEL DEVELOPMENT	YESTERYEARS MILLWORK / FINISH SCHEDULE				
PROJECT /	LOCATION	LOCATION	LOCATION	LOCATION	LOCATION
JOB ADDRESS / 1331 17 MILE DRIVE PEBBLE BEACH, CA.	MAIN GALLERY HALL	KITCHEN / NOOK	FAMILY ROOM	GAME ROOM	LIBRARY
PAINT-GRADE / STAIN-GRADE	PAINT-GRADE	PAINT-GRADE	PAINT-GRADE	PAINT-GRADE	"CHERRY"
BASE :	Z1	Z1	Z1	Z1	Z1
CLOSET BASE :	Z1	Z1	Z1	Z1	Z1
DOOR CASING :	Z2	Z2	Z2	Z2	Z2
CLOSET CASING	Z2	Z2	Z2	Z2	Z2
WINDOW CASING :	Z2	Z2	Z2	Z2	Z2
WINDOW STOOL :	Z3	Z3	Z3	Z3	Z3
WINDOW APRON :	Z3	Z3	Z3	Z3	Z3
WALL DETAILS :	N/A	N/A	N/A	N/A	R1 & R2
CEILING DETAILS :	C2	C2	C2	C2	BEAM FRIEZE B1
					INNER BEAMS B2
					INTERSECTIONS B3
SPECIAL DETAILS :		VERT. MULLION M1	VERT. MULLION M1	VERT. MULLION M1	
			CASED OPENING J3	CASED OPENING J3	

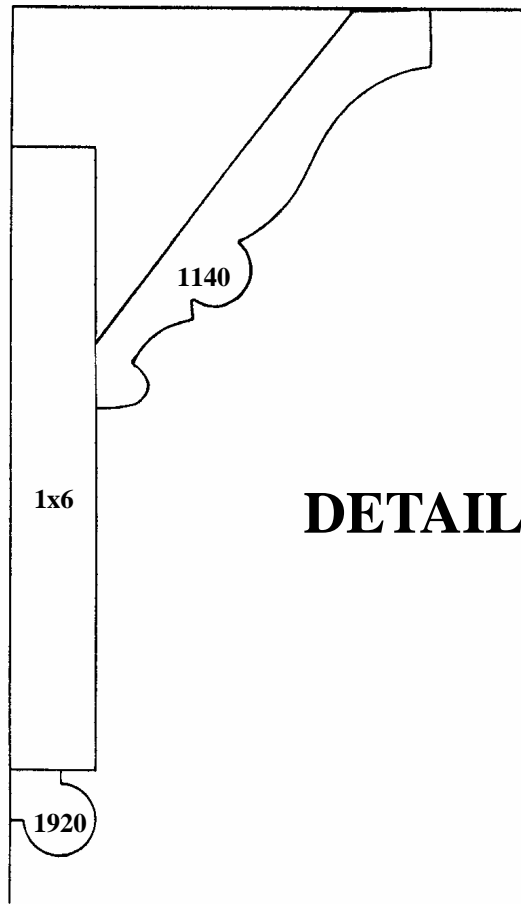
WWW.YESTERYEARSMILLWORK.COM

CLIENT / CARMEL DEVELOPMENT	YESTERYEARS MILLWORK / FINISH SCHEDULE				
PROJECT /	LOCATION	LOCATION	LOCATION	LOCATION	LOCATION
JOB ADDRESS / 1331 17 MILE DRIVE PEBBLE BEACH, CA.	MASTER BDRM.	MASTER BATH	MASTER TOILET ROOM	MASTER WALK-IN CLOSET	2nd FLOOR BALCONY & HALL
PAINT-GRADE / STAIN-GRADE	PAINT-GRADE	PAINT-GRADE	PAINT-GRADE	PAINT-GRADE	PAINT-GRADE
BASE :	Z1	Z1	Z1	Z1	Z1
CLOSET BASE :	Z1	Z1	Z1	Z1	Z1
DOOR CASING :	Z2	Z2	Z2	Z2	Z2
CLOSET CASING	Z2	Z2	Z2	Z2	Z2
WINDOW CASING :	Z2	Z2	Z2	Z2	Z2
WINDOW STOOL :	Z3	Z3	Z3	Z3	Z3
WINDOW APRON :	Z3	Z3	Z3	Z3	Z3
WALL DETAILS :	N/A	N/A	N/A	N/A	N/A
CEILING DETAILS :	PERIMETER C2	PERIMETER C2	C2	C1	PERIMETER C3
	RECESS C4	RECESS C4			SKYLIGHT GRID C5
SPECIAL DETAILS :	VERT. MULLION M1				

CLIENT / CARMEL DEVELOPMENT	YESTERYEARS MILLWORK / FINISH SCHEDULE				
PROJECT /					
JOB ADDRESS / 1331 17 MILE DRIVE PEBBLE BEACH, CA.	BDRM. 1	BATH 1	BDRM. 2	BATH 2	BDRM. 3
PAINT-GRADE / STAIN-GRADE	PAINT-GRADE	PAINT-GRADE	PAINT-GRADE	PAINT-GRADE	PAINT-GRADE
BASE :	Z1	Z1	Z1	Z1	Z1
CLOSET BASE :	Z1	Z1	Z1	Z1	Z1
DOOR CASING :	Z2	Z2	Z2	Z2	Z2
CLOSET CASING	Z2	Z2	Z2	Z2	Z2
WINDOW CASING :	Z2	Z2	Z2	Z2	Z2
WINDOW STOOL :	Z3	Z3	Z3	Z3	Z3
WINDOW APRON :	Z3	Z3	Z3	Z3	Z3
WALL DETAILS :	N/A	N/A	N/A	N/A	N/A
CEILING DETAILS :	C1	C1	C1	C1	C1
SPECIAL DETAILS :	VERT. MULLION M1		VERT. MULLION M1		VERT. MULLION M1

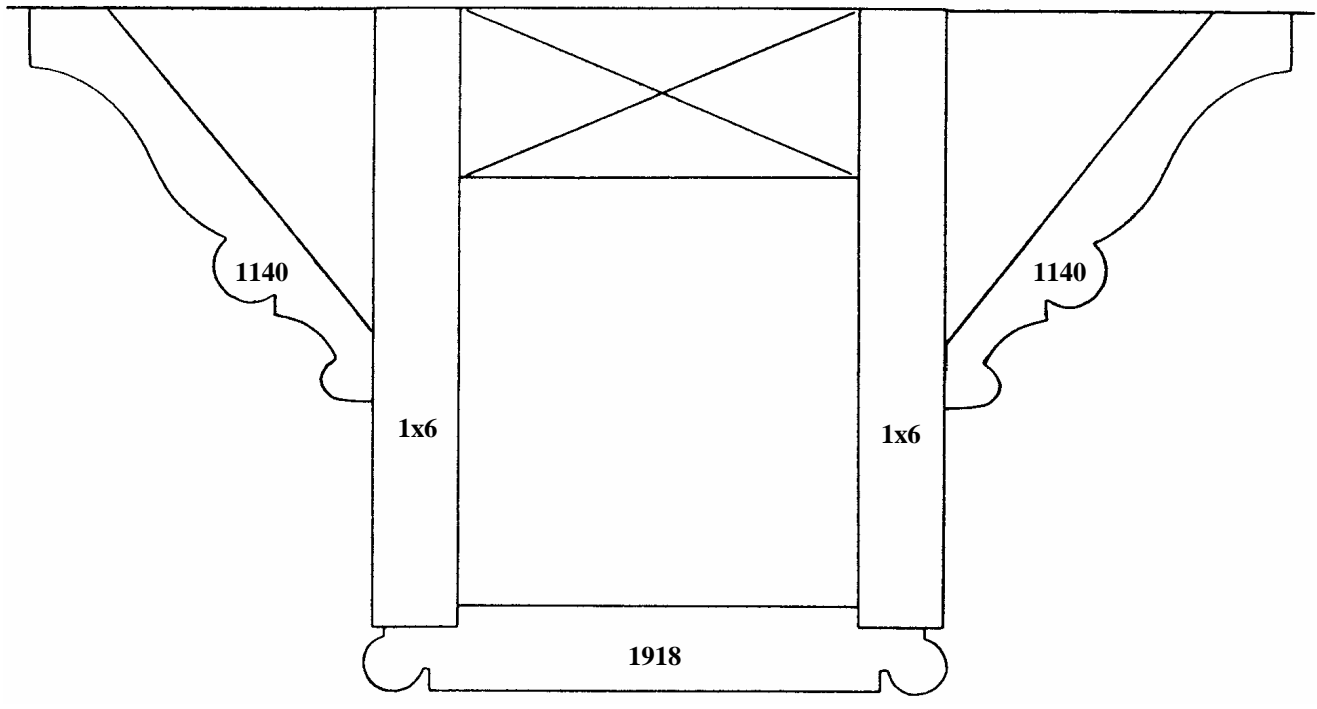
CLIENT / CARMEL DEVELOPMENT	YESTERYEARS MILLWORK / FINISH SCHEDULE				
PROJECT /	LOCATION	LOCATION	LOCATION	LOCATION	LOCATION
JOB ADDRESS / 1331 17 MILE DRIVE PEBBLE BEACH, CA.	BATH 3	CHILDREN STUDY	LAUNDRY ROOM		
PAINT-GRADE / STAIN-GRADE	PAINT-GRADE	PAINT-GRADE	PAINT-GRADE	PAINT-GRADE	PAINT-GRADE
BASE :	Z1	Z1	Z1		
CLOSET BASE :	Z1	Z1	Z1		
DOOR CASING :	Z2	Z2	Z2		
CLOSET CASING	Z2	Z2	Z2		
WINDOW CASING :	Z2	Z2	Z2		
WINDOW STOOL :	Z3	Z3	Z3		
WINDOW APRON :	Z3	Z3	Z3		
WALL DETAILS :	N/A	N/A	N/A		
CEILING DETAILS :	C1	C1	C1		
SPECIAL DETAILS :		VERT. MULLION M1			

FALSE BEAM DETAIL

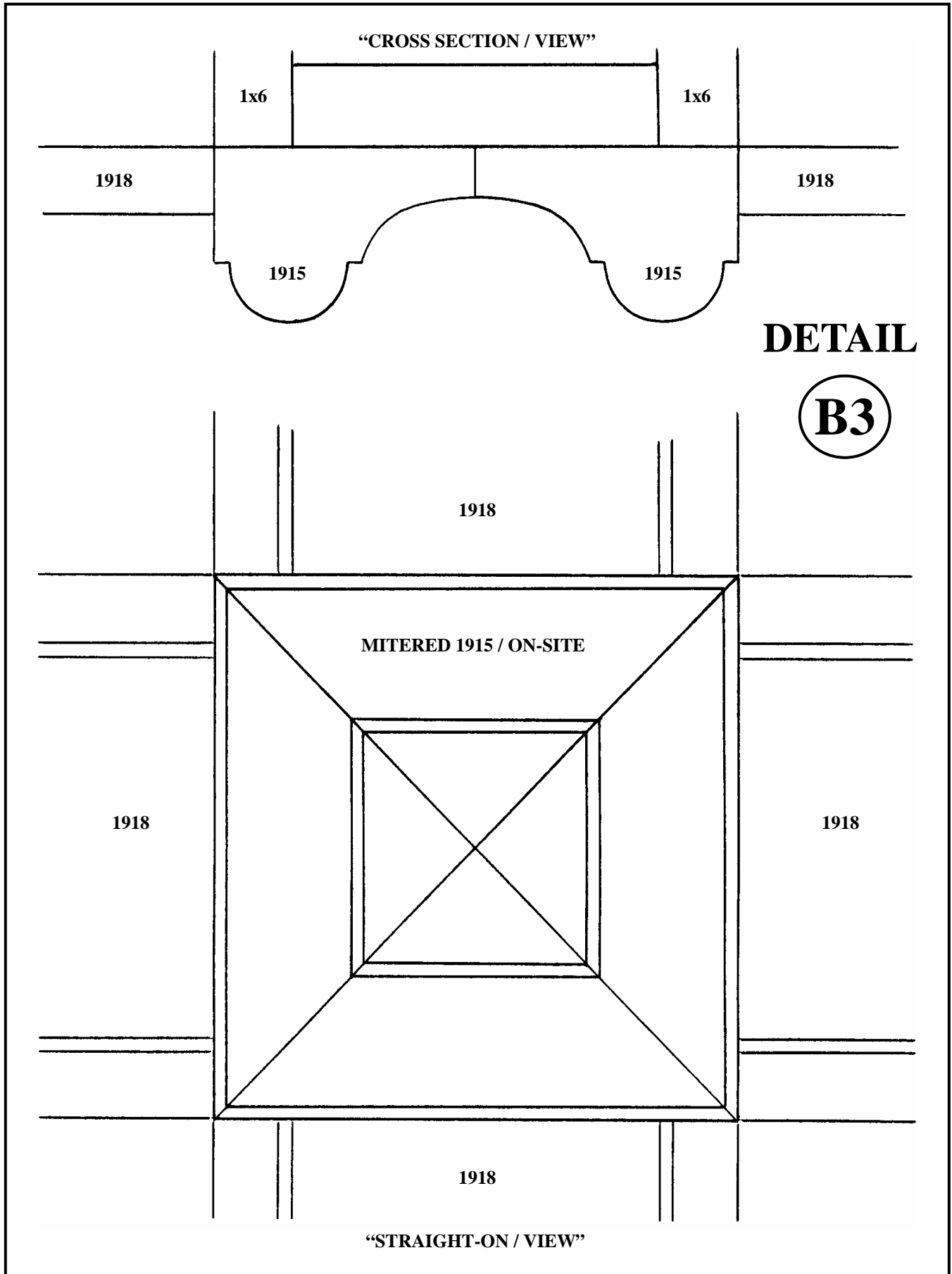


DETAIL B1

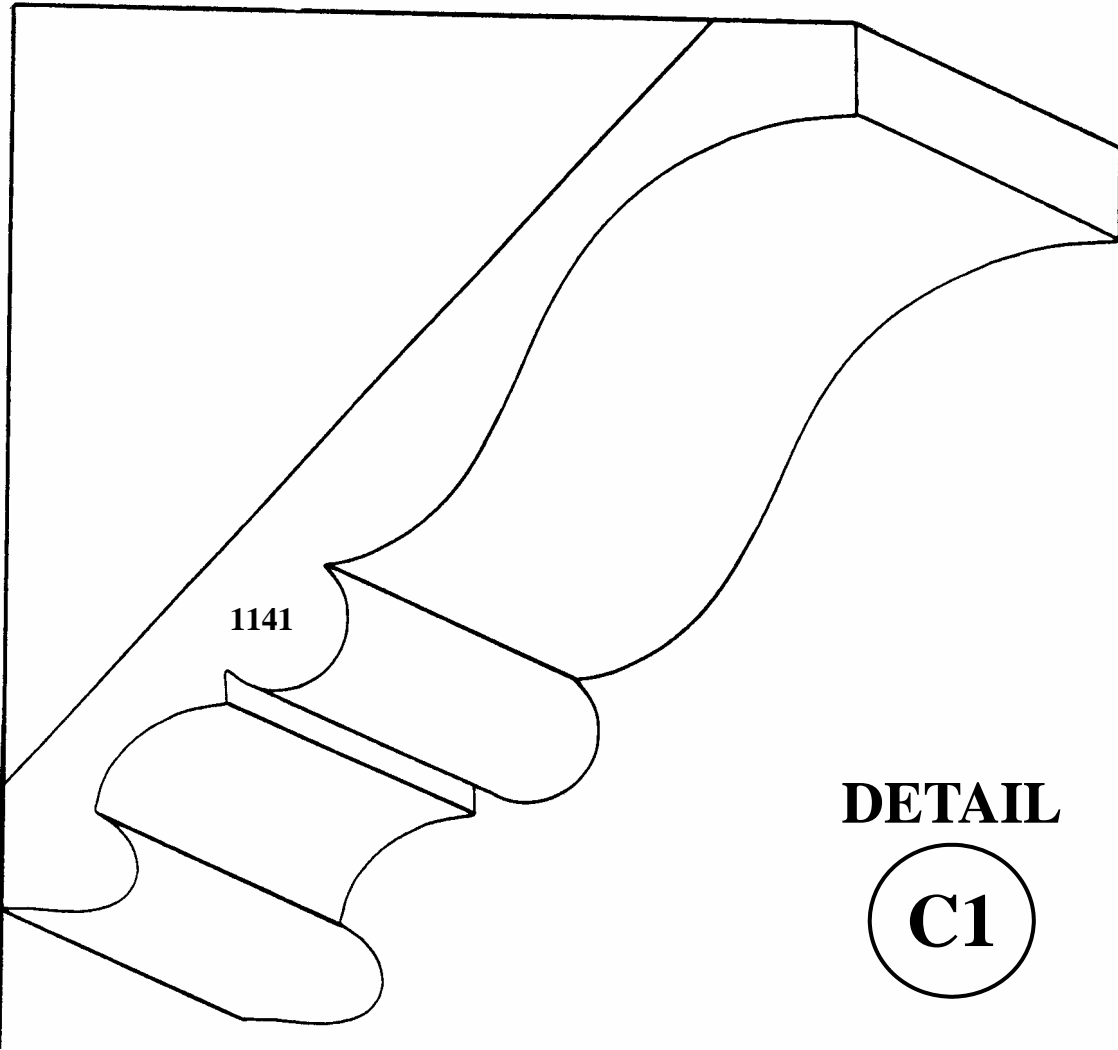
DETAIL B2



BEAM INTERSECTION DETAIL

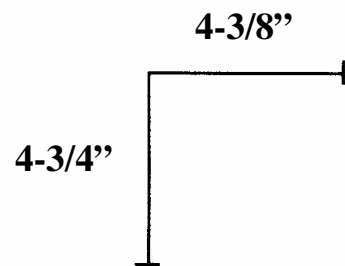


CEILING DETAIL

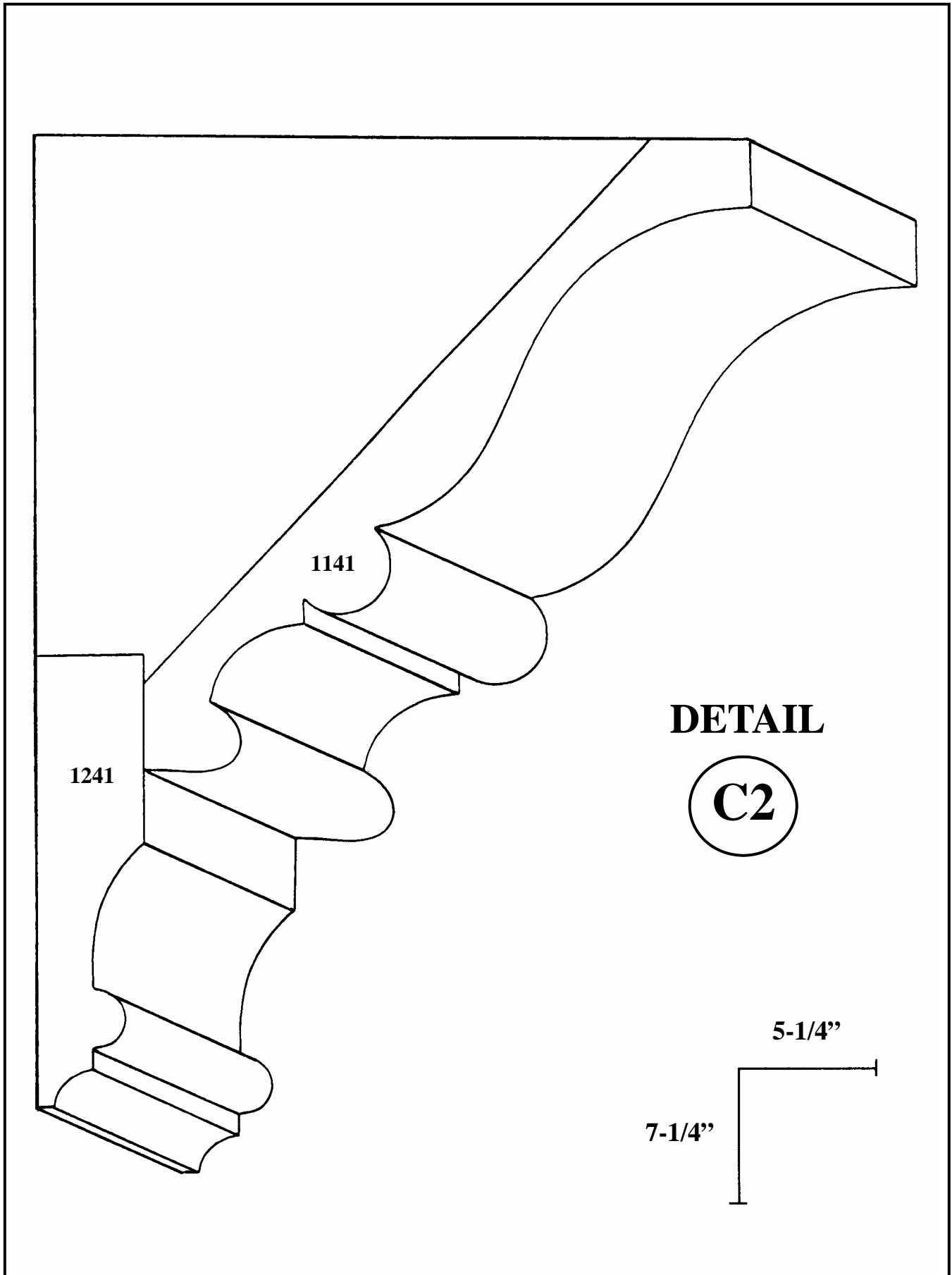


DETAIL

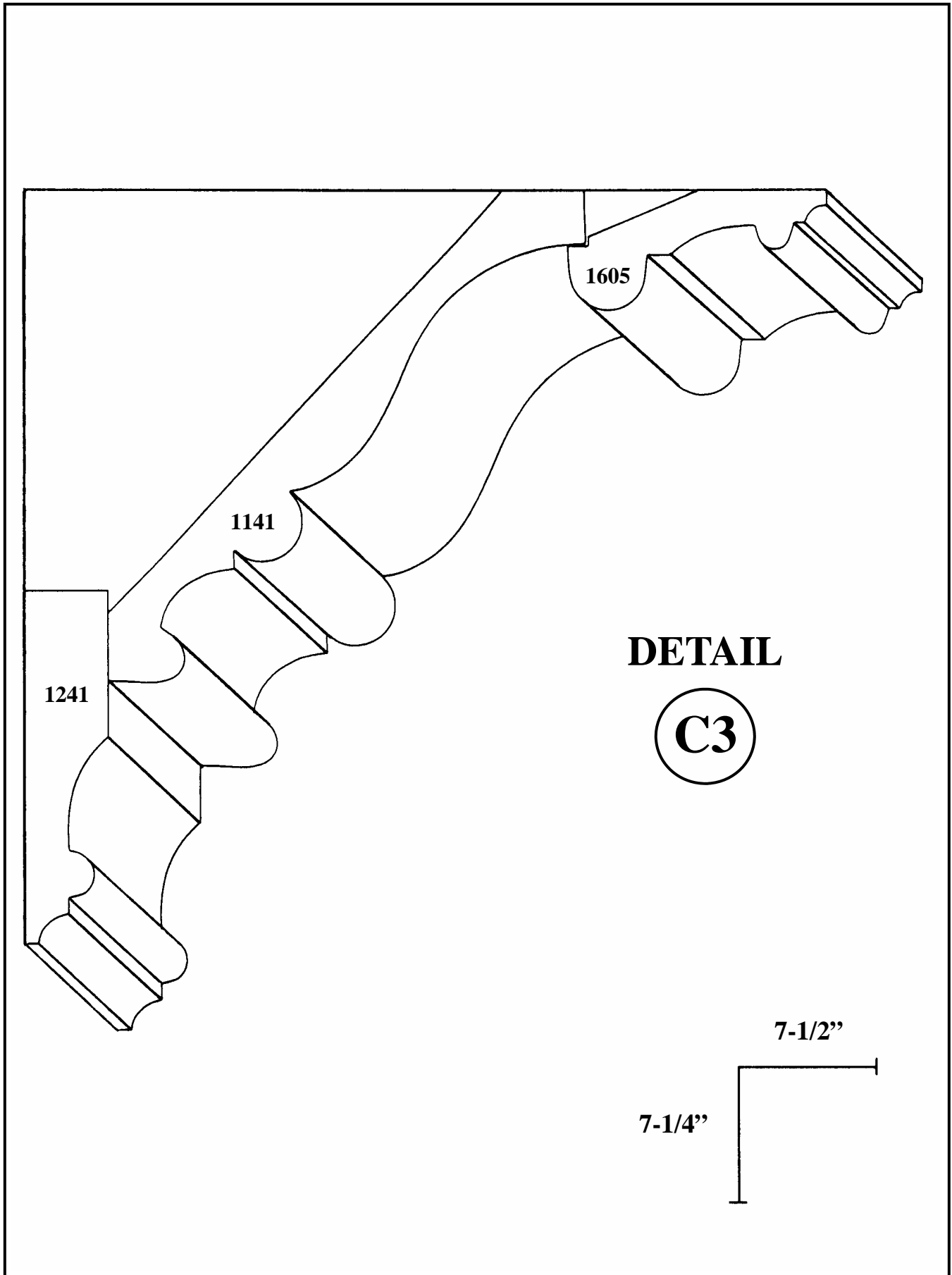
C1



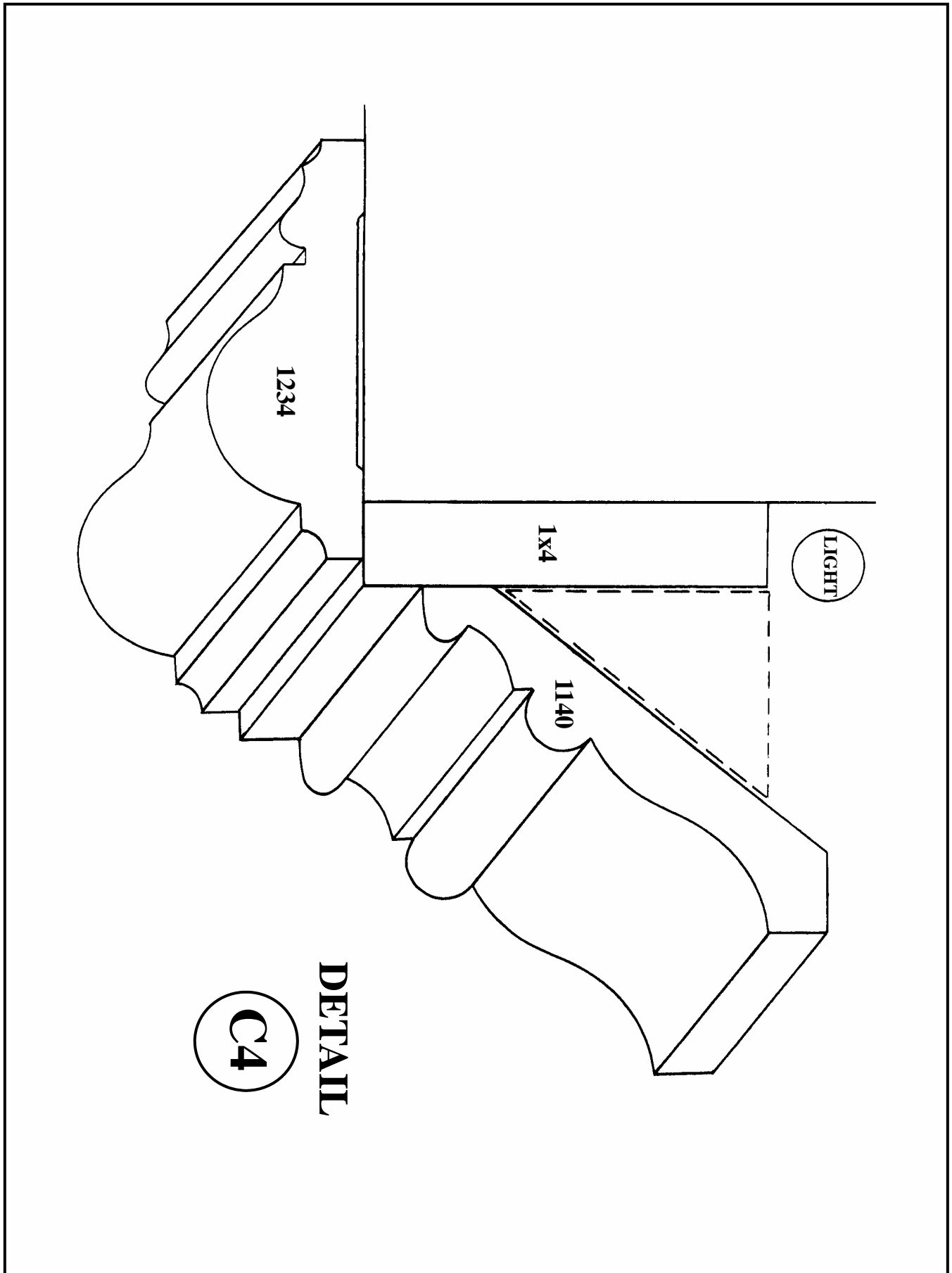
CEILING DETAIL



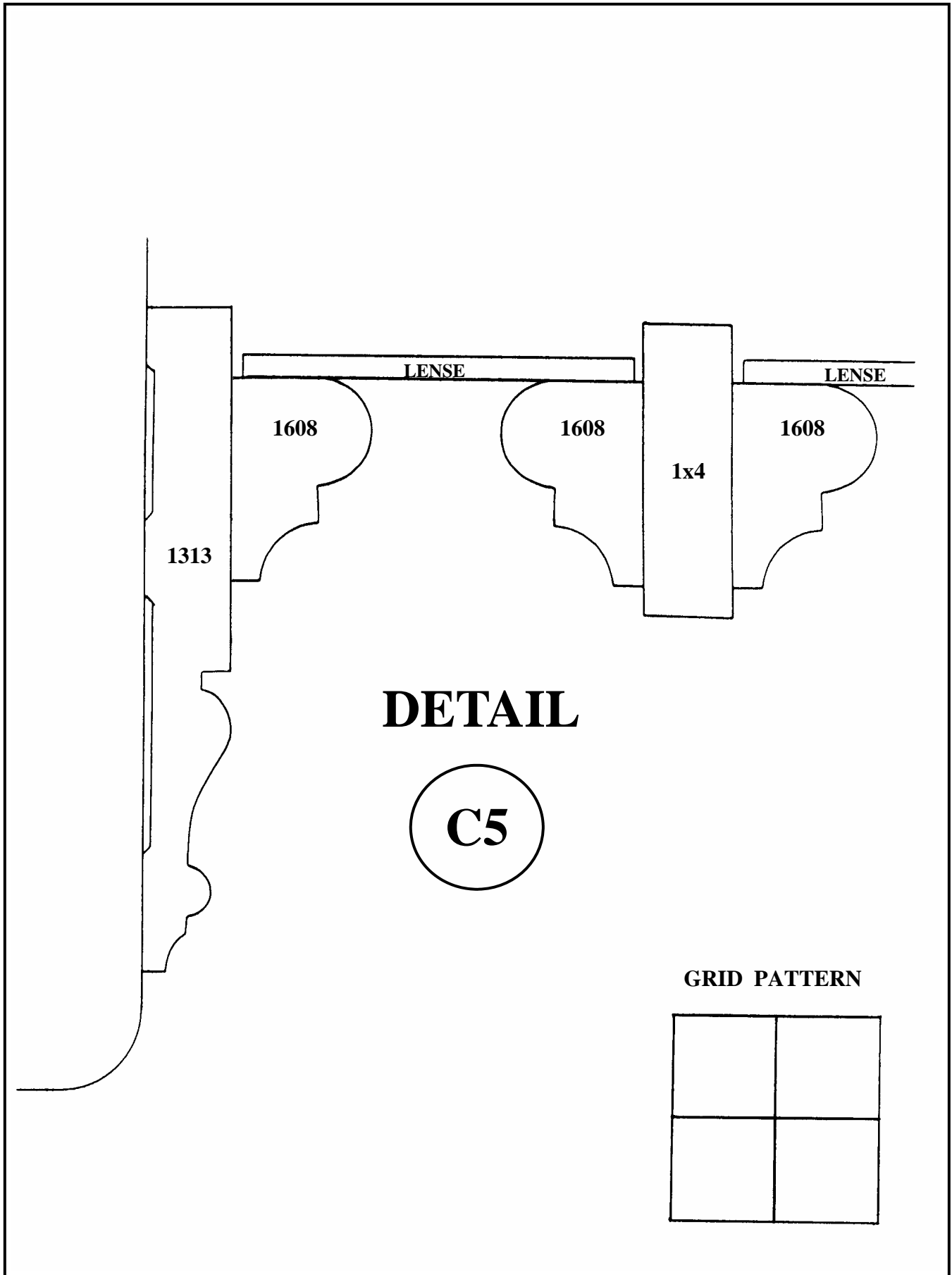
CEILING DETAIL



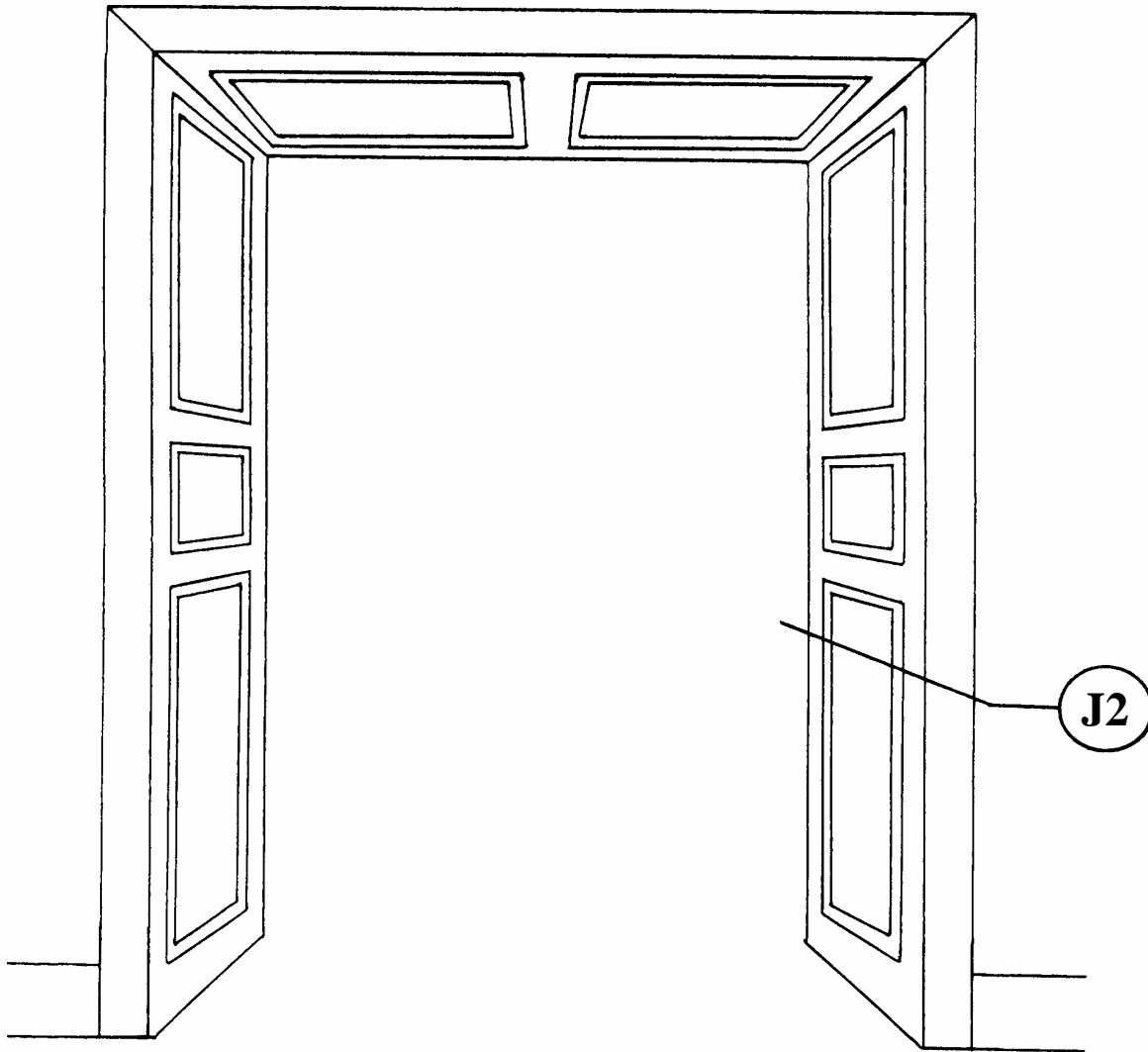
CEILING DETAIL



SKY LIGHT / GRID SYSTEM



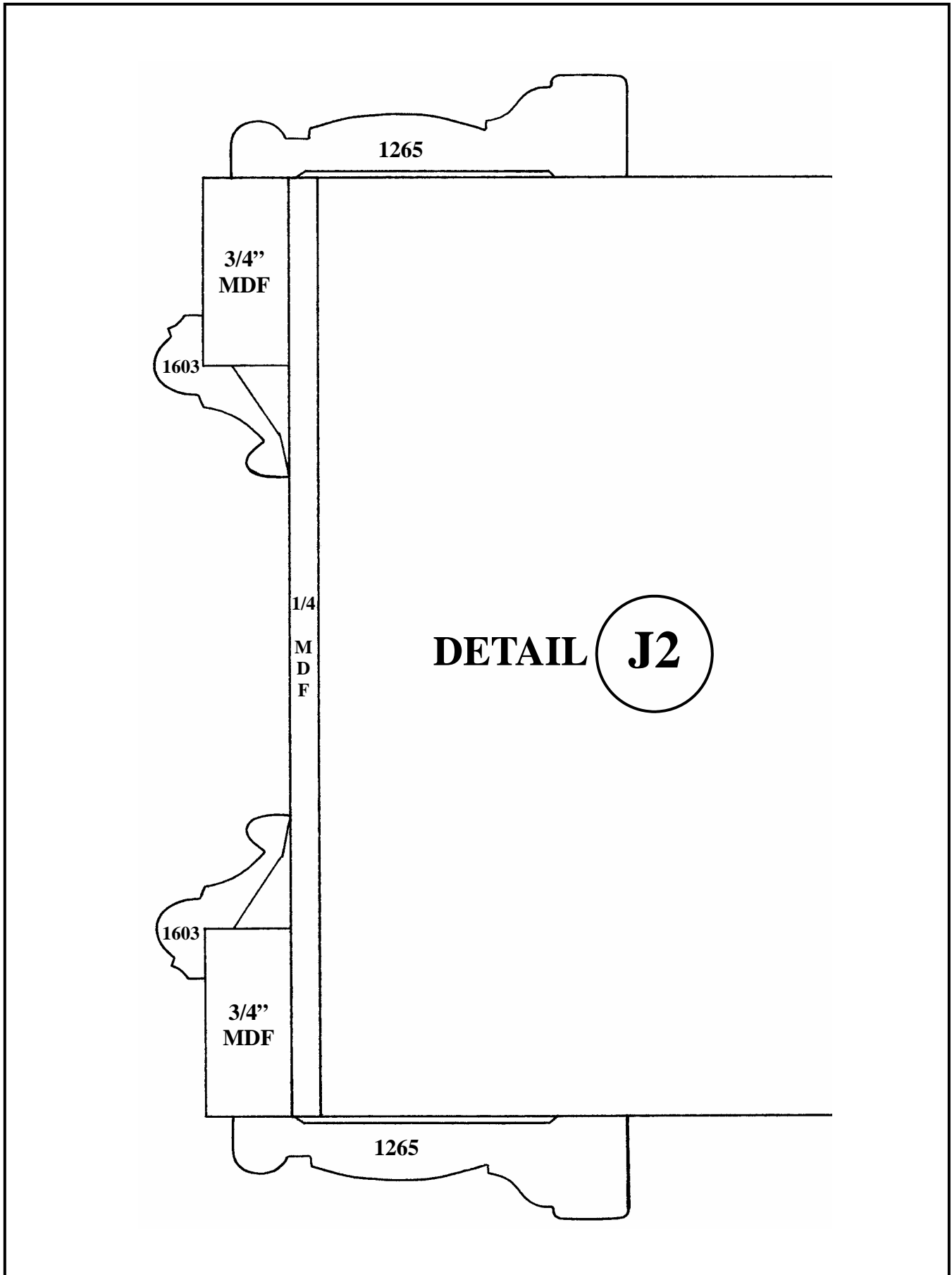
PANELED OPENING DETAIL



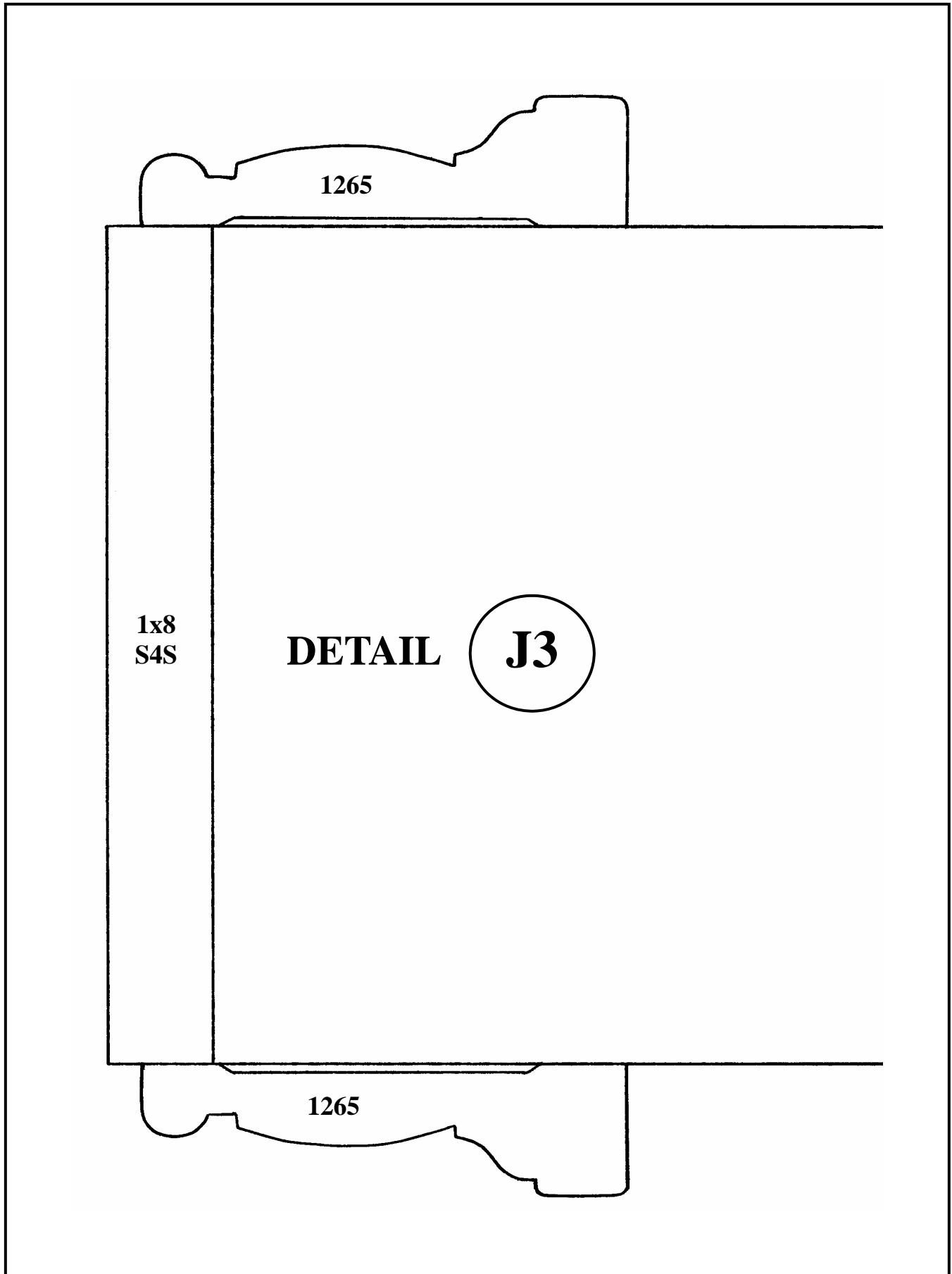
DETAIL

J1

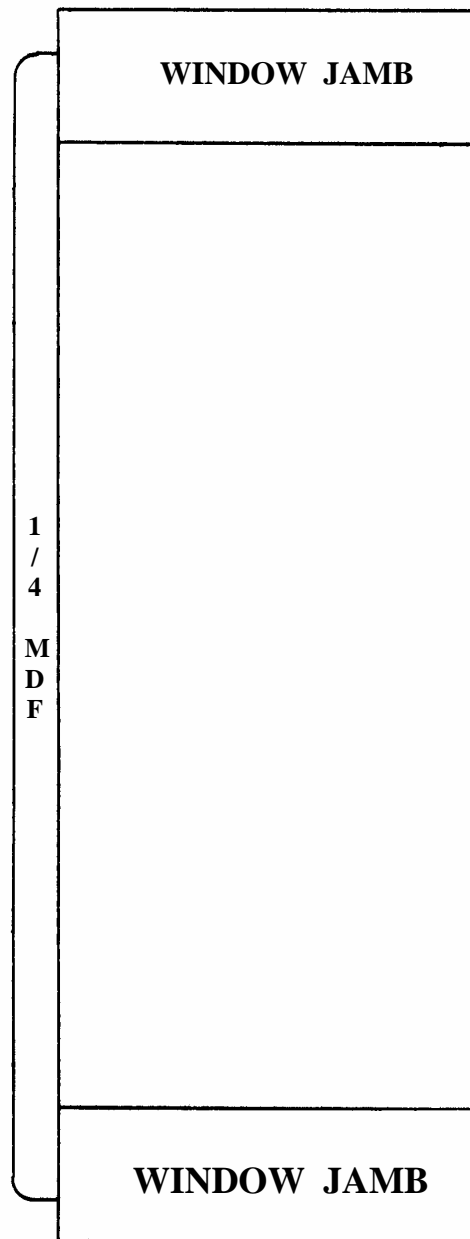
PANELED JAMB DETAIL



FLAT JAMB DETAIL



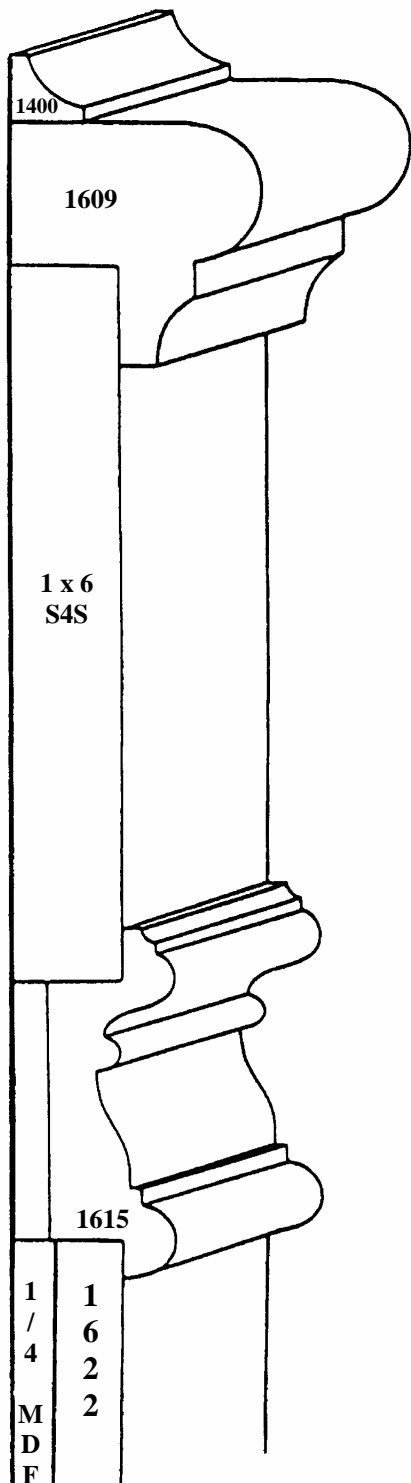
MULLION DETAIL



DETAIL

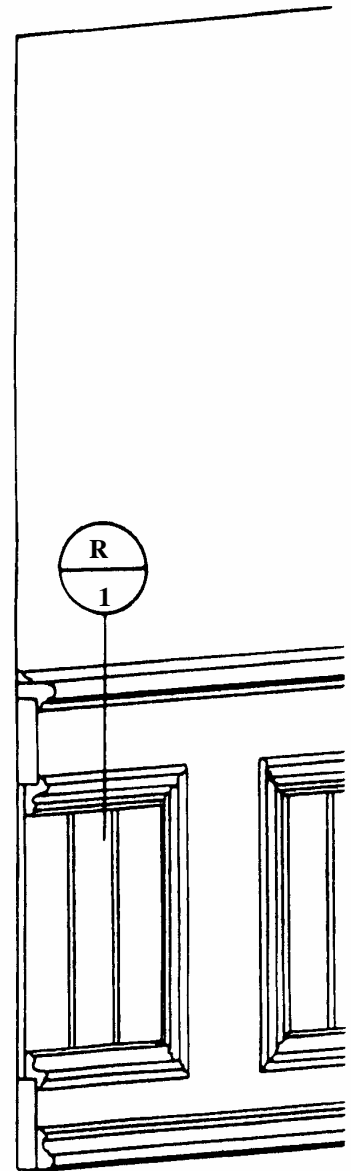


PANELED WAINSCOT DETAIL



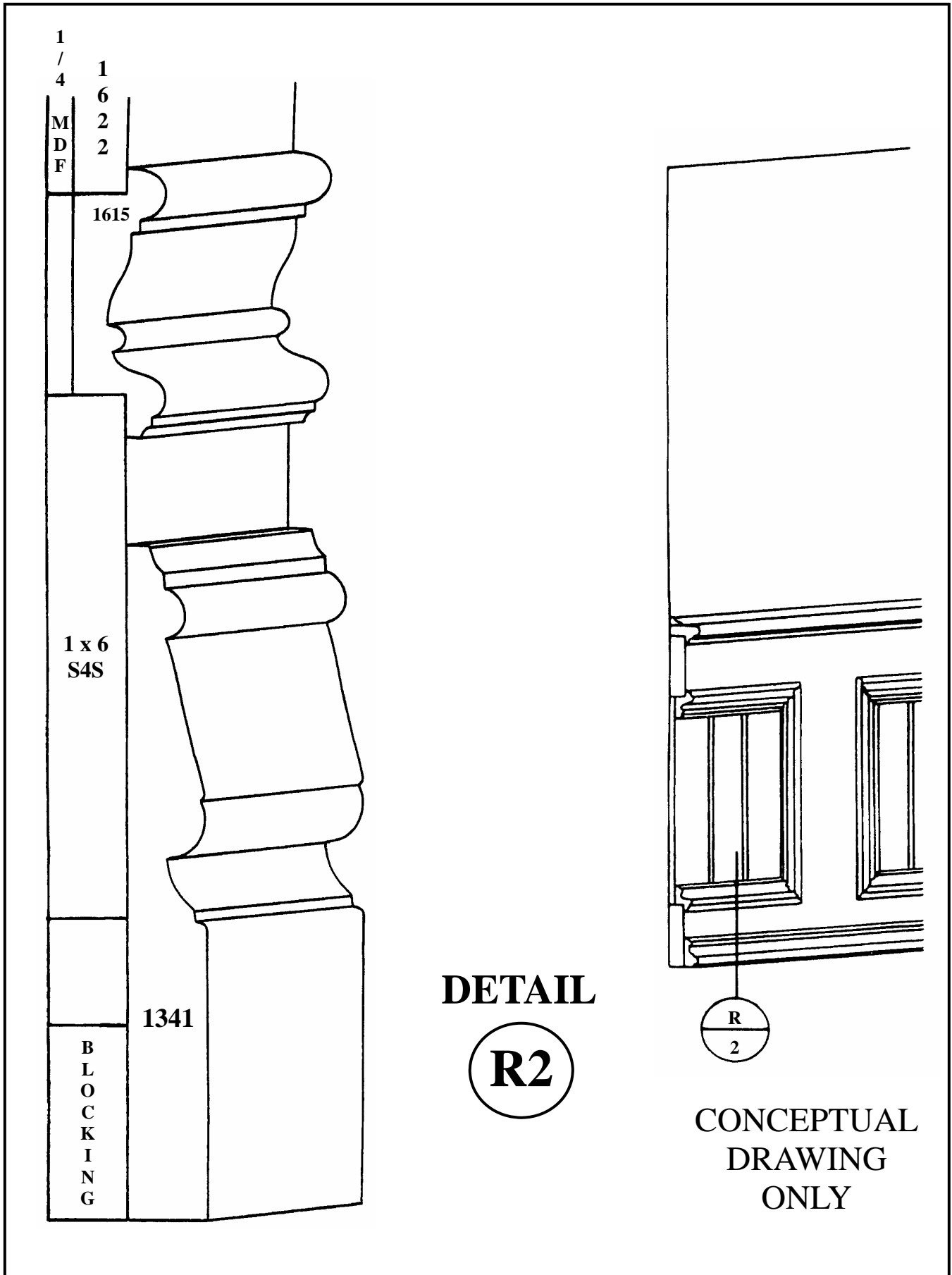
DETAIL

R1

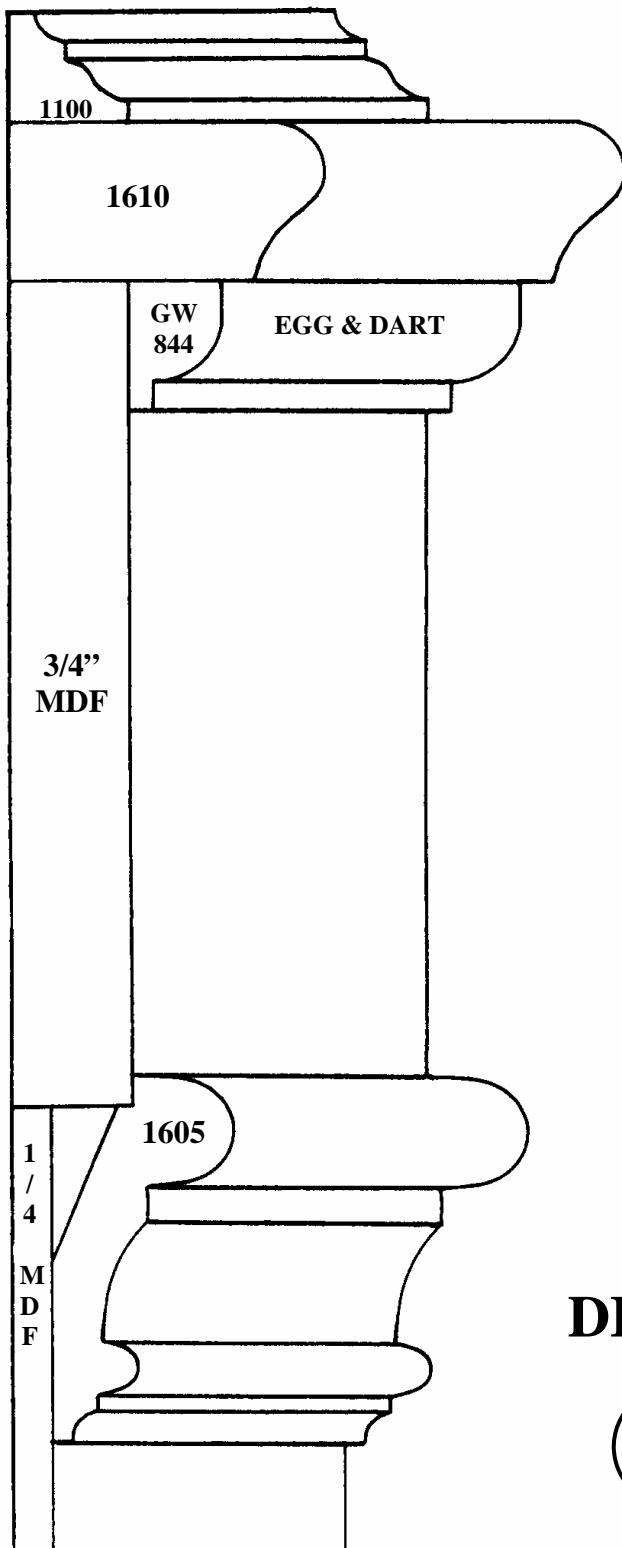


CONCEPTUAL
DRAWING
ONLY

PANELED WAINSCOT DETAIL

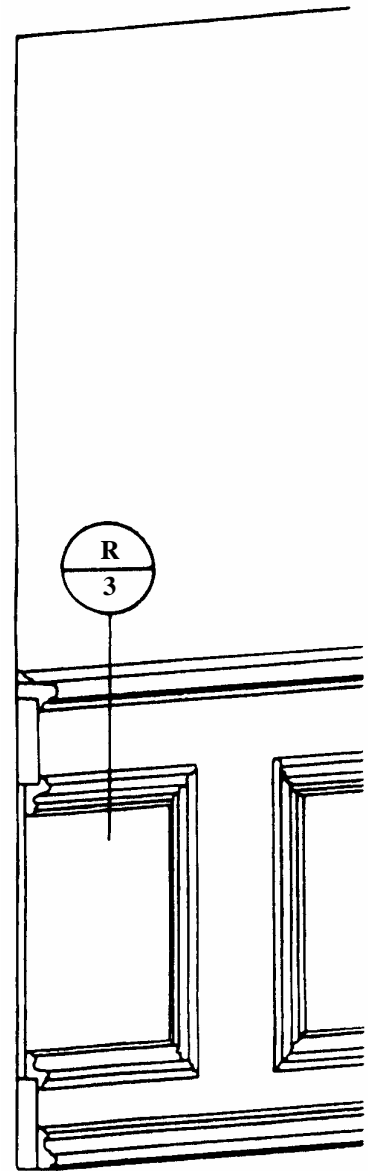


PANELED WAINSCOT DETAIL



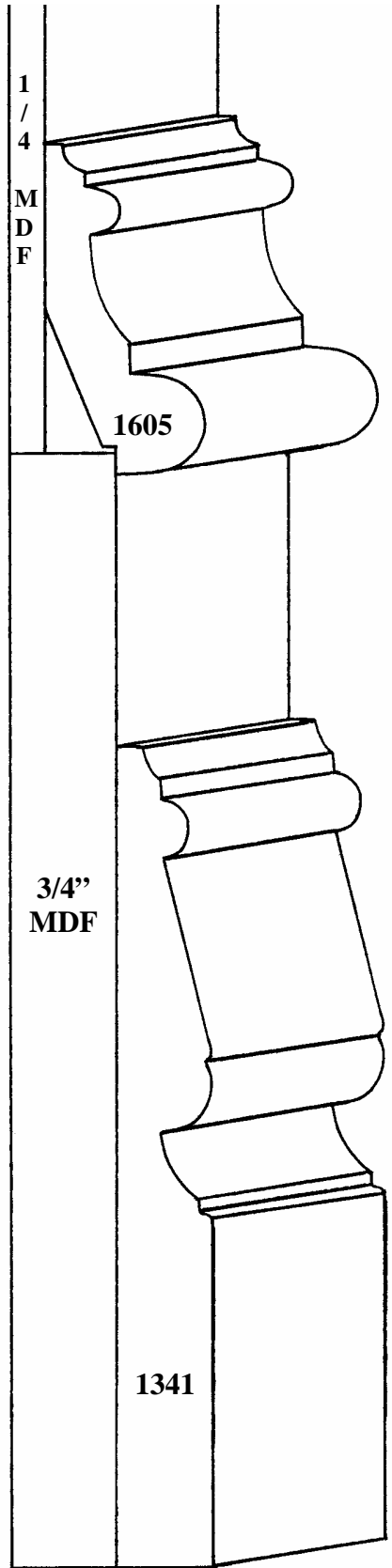
DETAIL

R3



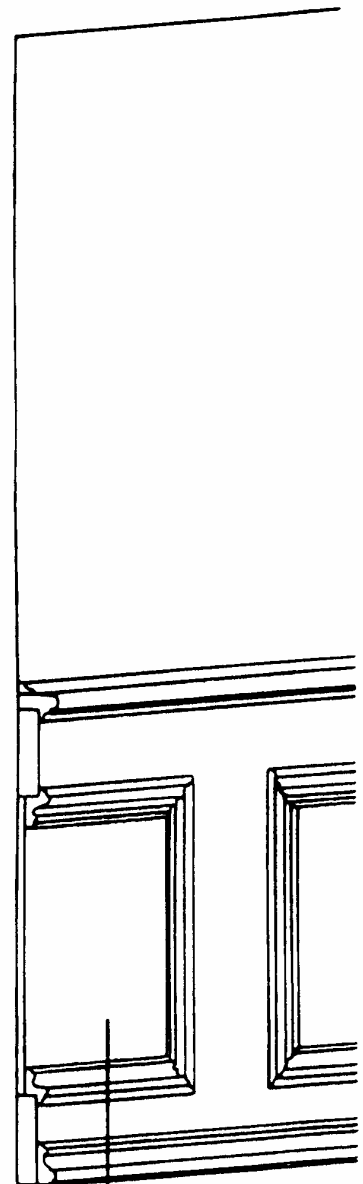
CONCEPTUAL
DRAWING
ONLY

PANELED WAINSCOT DETAIL



DETAIL

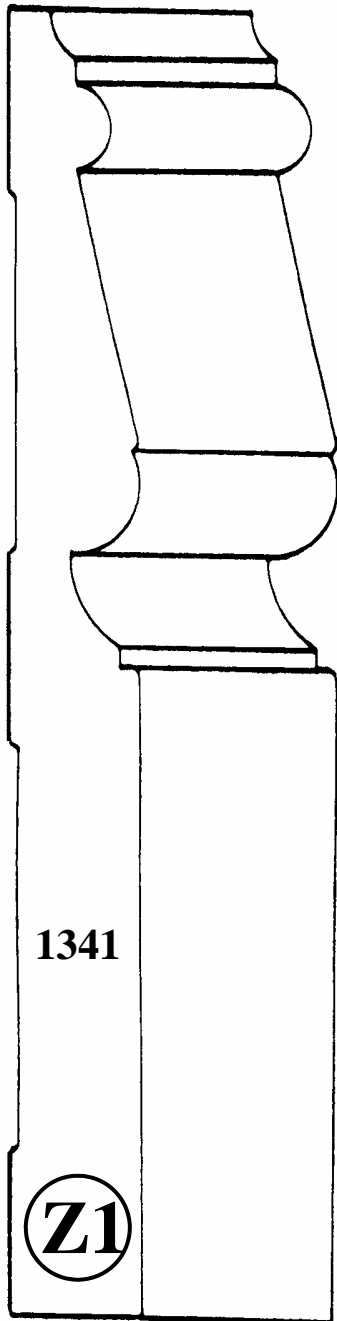
R4



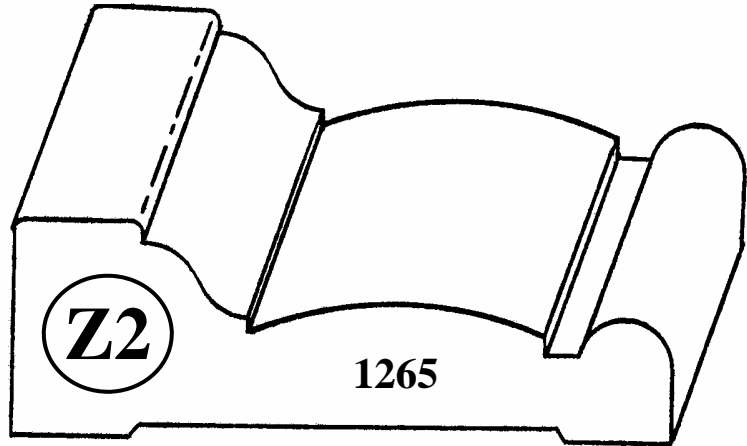
R
4

CONCEPTUAL
DRAWING
ONLY

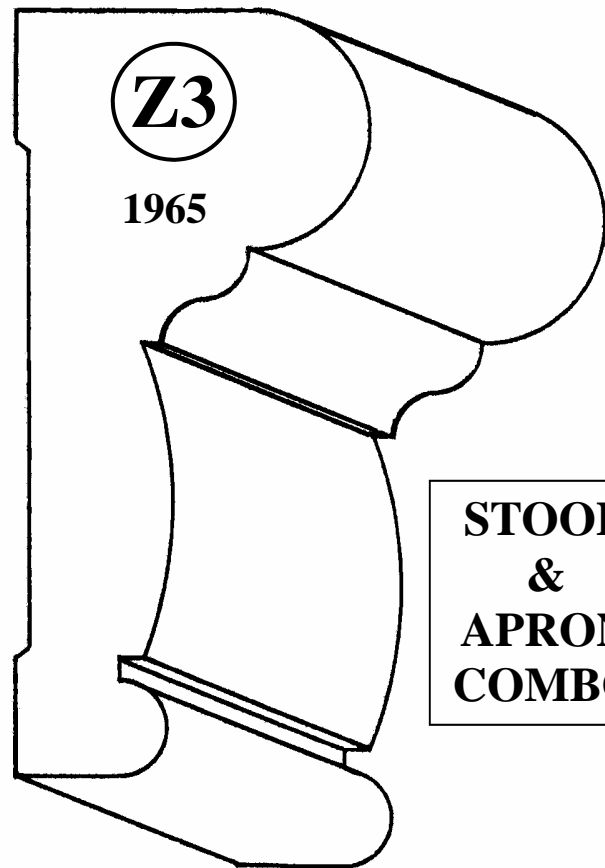
MOULDINGS USED IN HOME



BASE



CASING



**STOOL
&
APRON
COMBO**