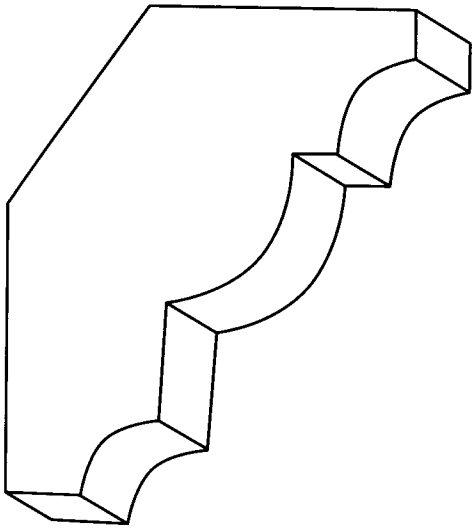
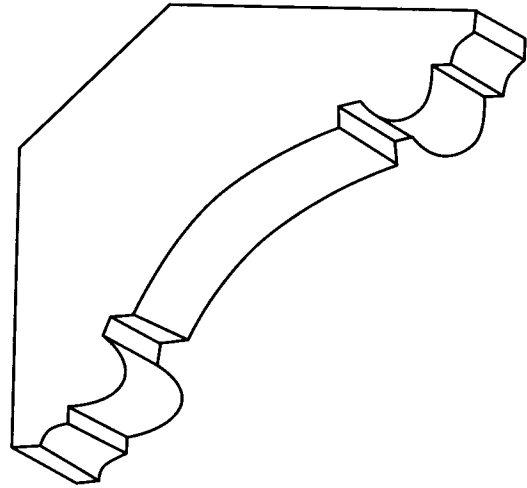


GUTTER & CORNER MOULDS



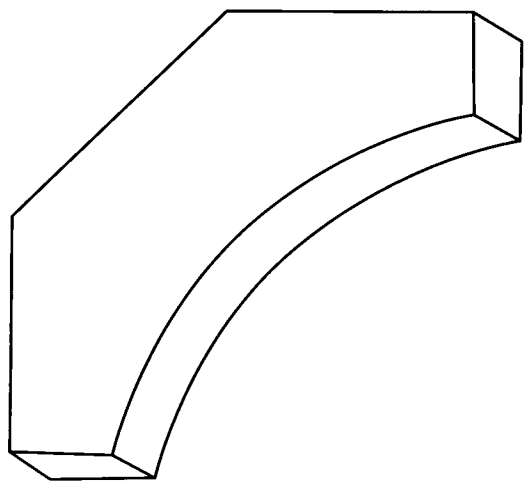
2100

1-1/4 X 3-1/4



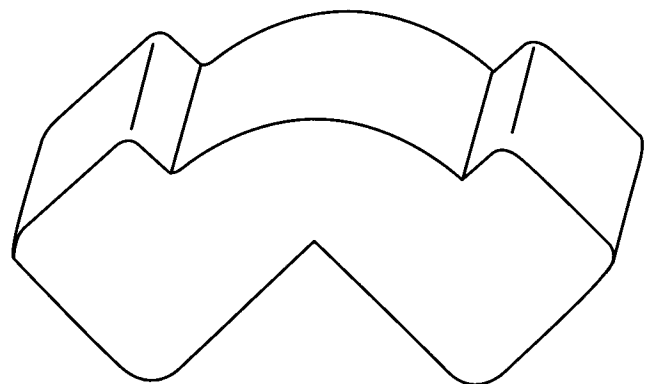
2103

1-1/4 X 3-1/4



2104

1-1/4 X 3-1/4



2105

1-3/8 X 3-1/16