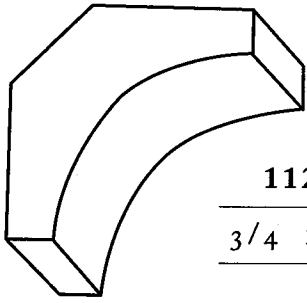
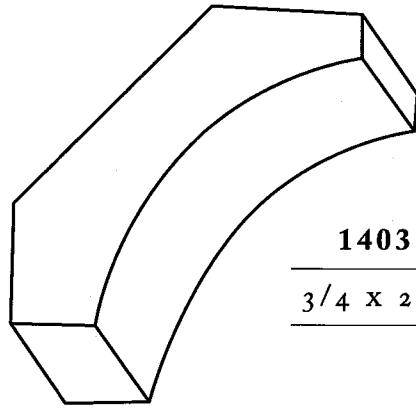


CROWNS



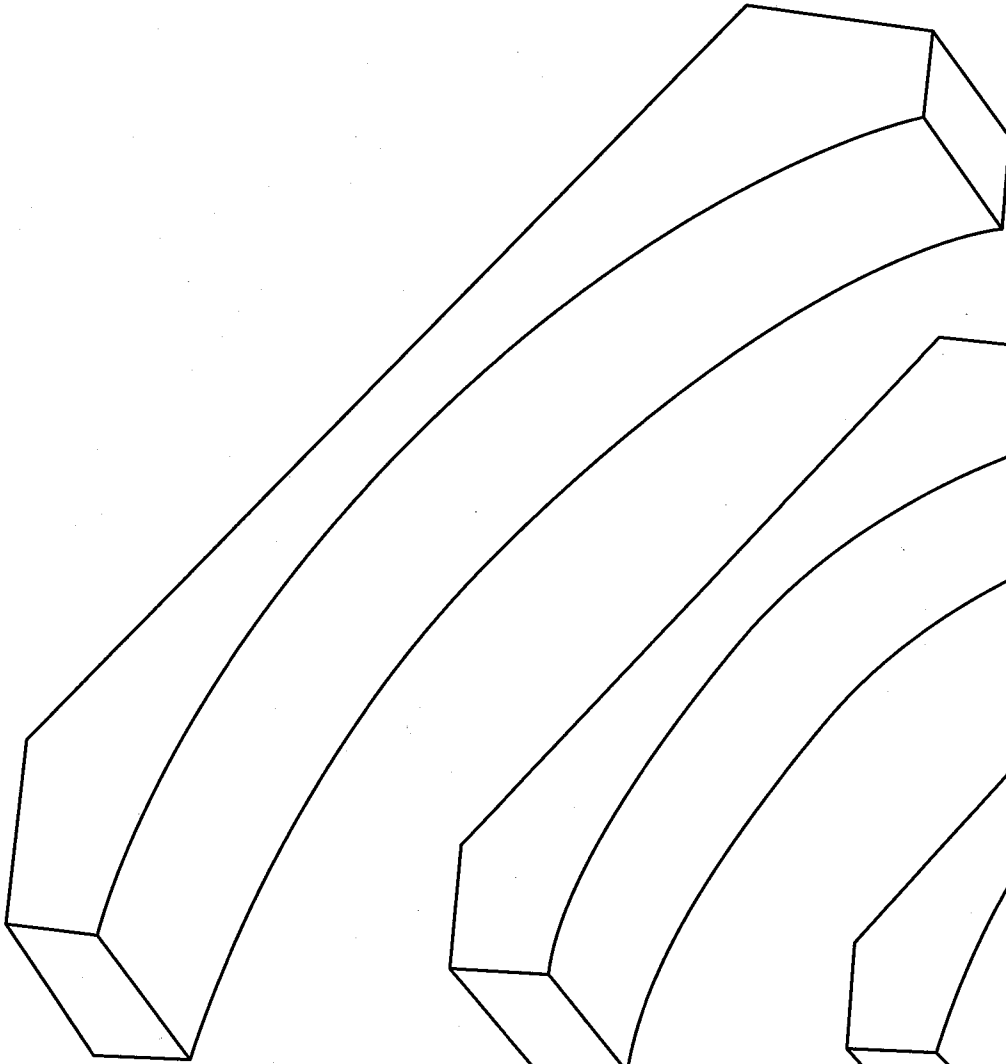
1120

$3/4 \times 1-3/4$



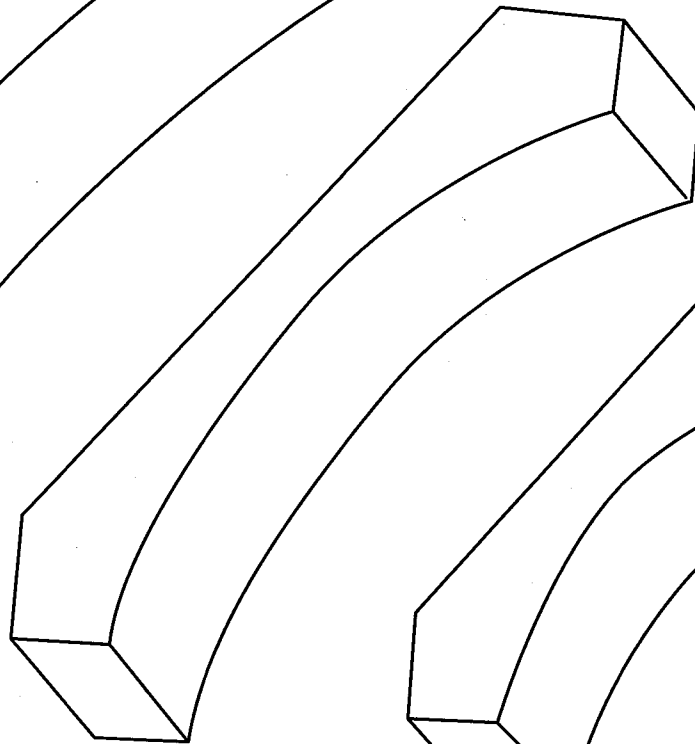
1403

$3/4 \times 2-7/16$



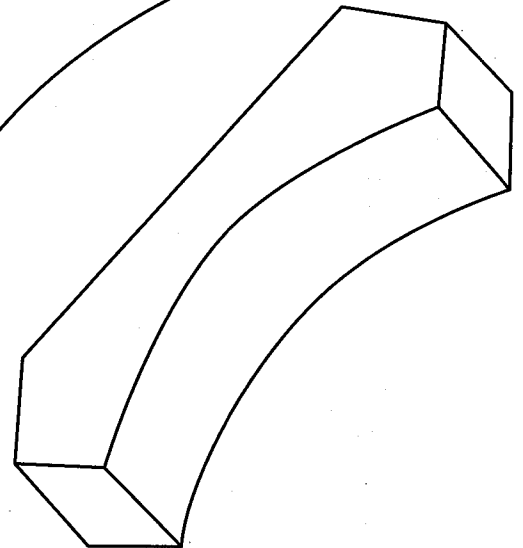
1123

$1-1/16 \times 6-3/4$



1122

$13/16 \times 4-1/2$

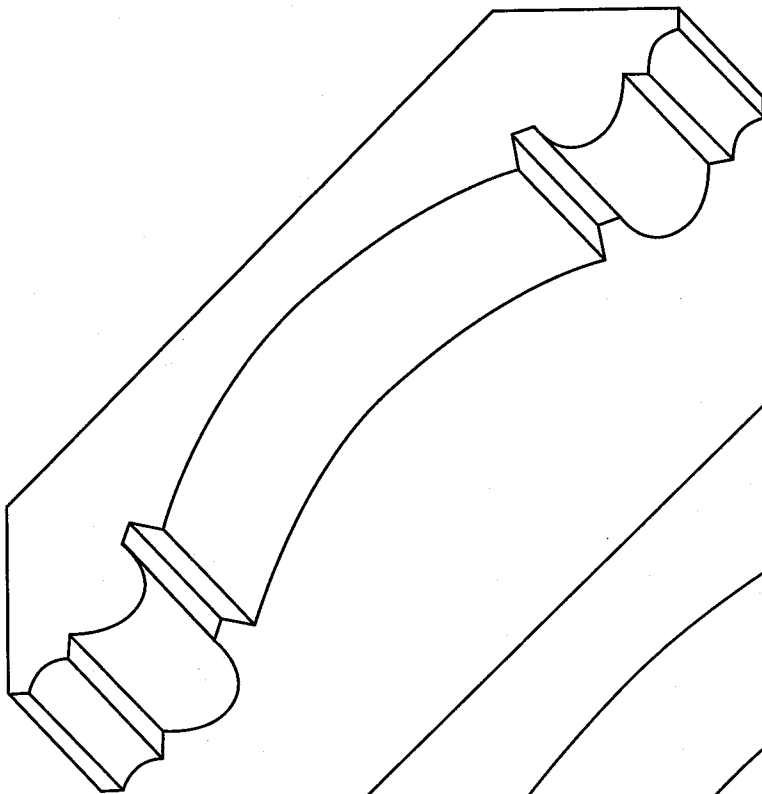


1121

$11/16 \times 3-3/16$

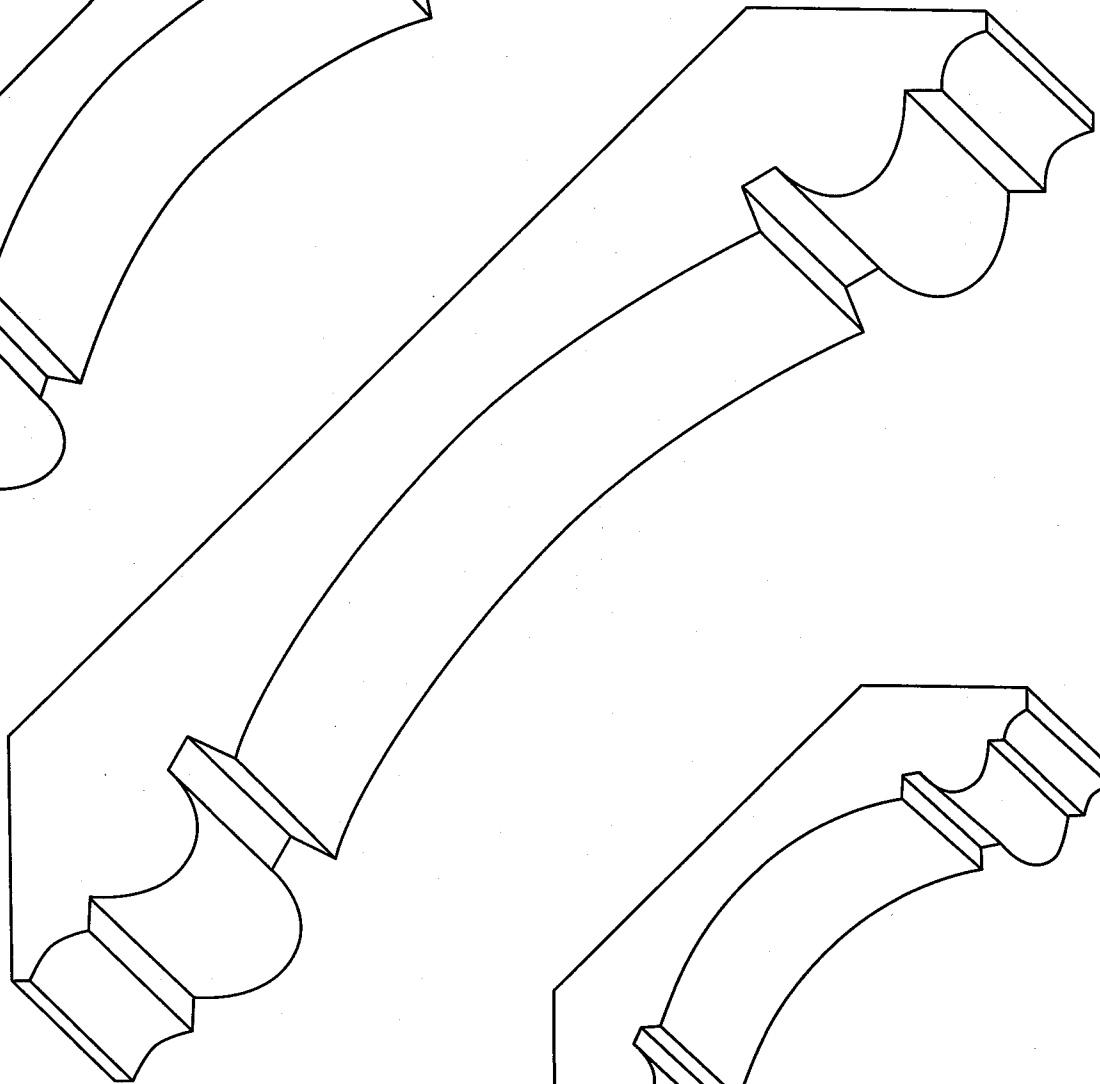


CROWNS



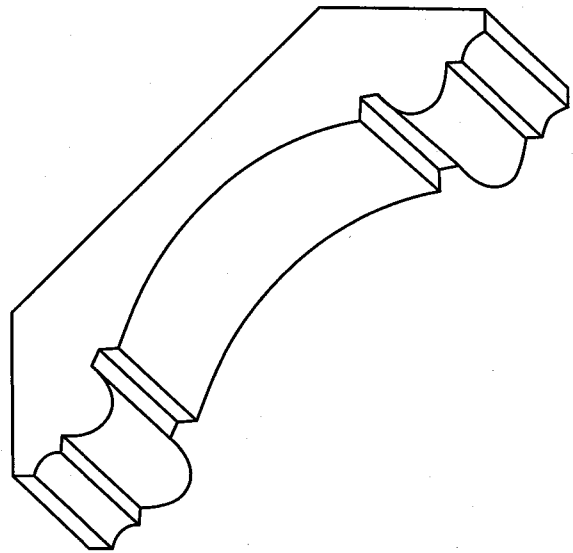
1125

$7/8 \times 4-15/16$



1126

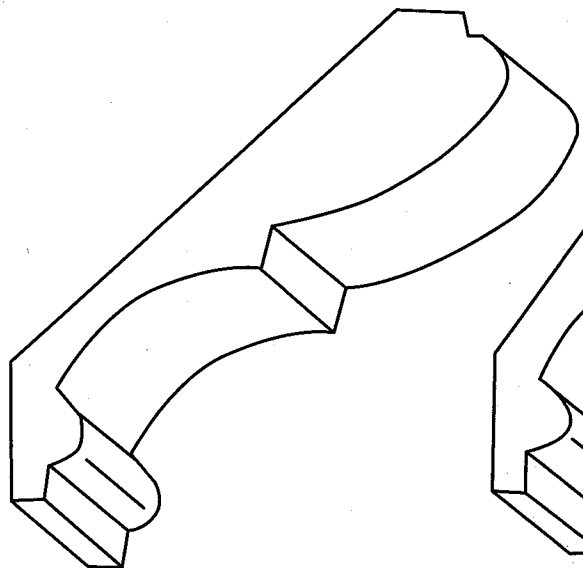
$1-1/8 \times 7-1/8$



1124

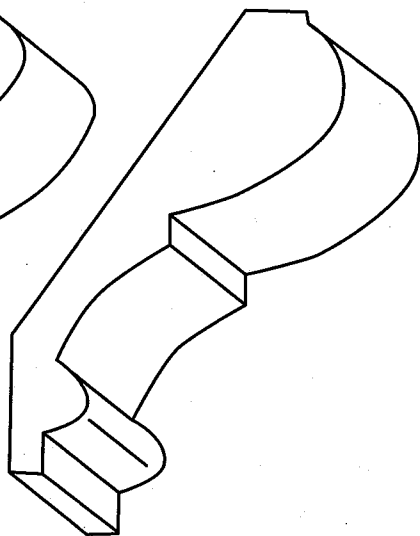
$3/4 \times 3-7/16$

BED & COVE MOULDS



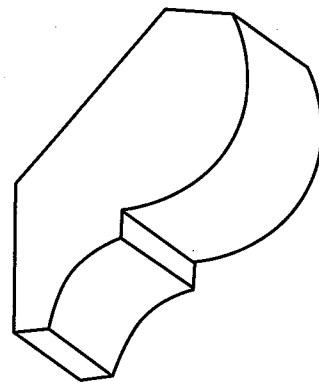
1411

$11/16 \times 3-7/16$



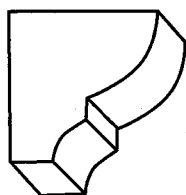
1410

$11/16 \times 2-13/16$



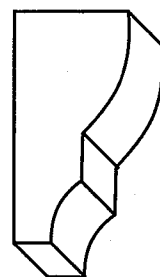
1409

$11/16 \times 2$



1405

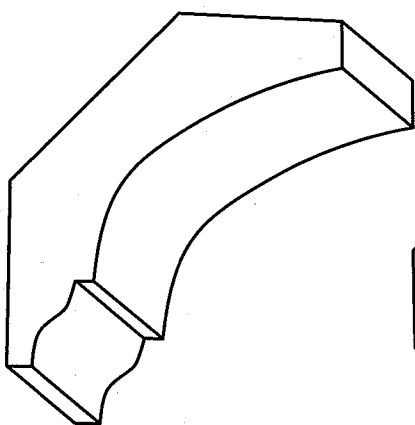
$3/4 \times 3/4$



1415

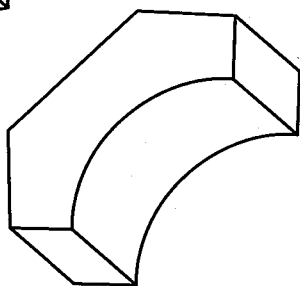
$5/8 \times 1 1/4$

47



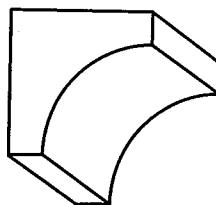
1404

$3/4 \times 2-1/2$



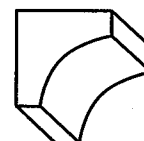
1402

$5/8 \times 1-5/8$



1401

$3/4 \times 3/4$



1400

$1/2 \times 1/2$