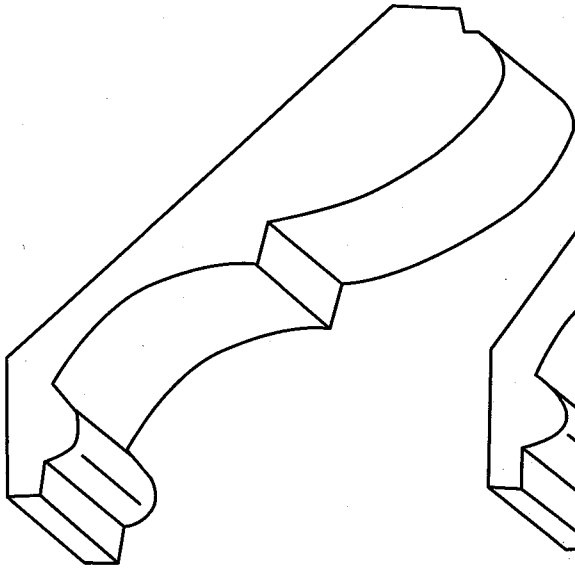
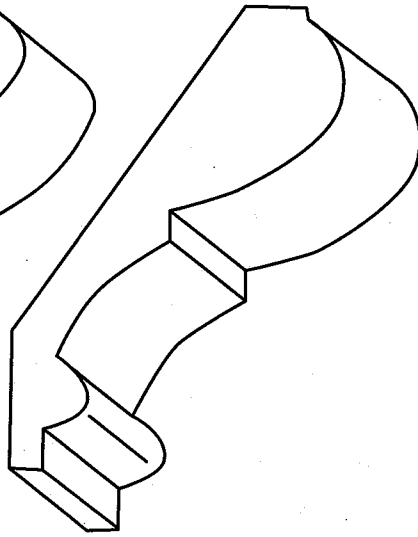


BED & COVE MOULDS



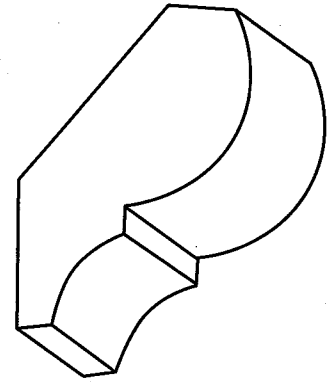
1411

$11/16 \times 3-7/16$



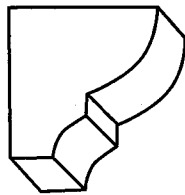
1410

$11/16 \times 2-13/16$



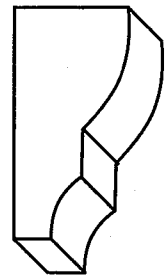
1409

$11/16 \times 2$



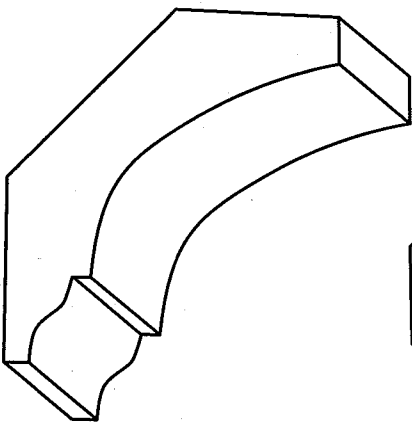
1405

$3/4 \times 3/4$



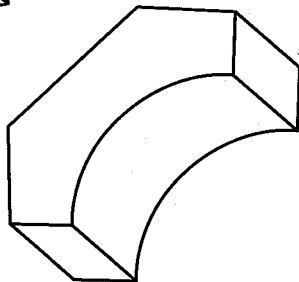
1415

$5/8 \times 1 1/4$



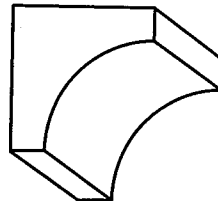
1404

$3/4 \times 2-1/2$



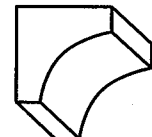
1402

$5/8 \times 1-5/8$



1401

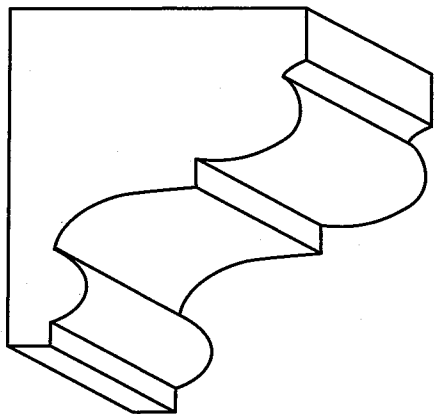
$3/4 \times 3/4$



1400

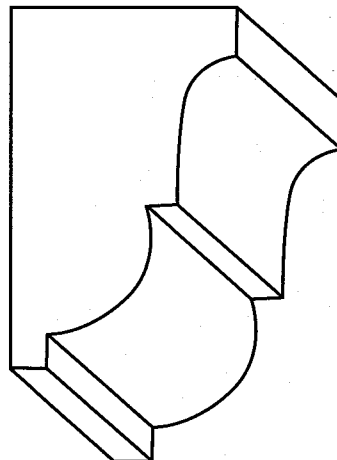
$1/2 \times 1/2$

LINTEL COMPONENTS



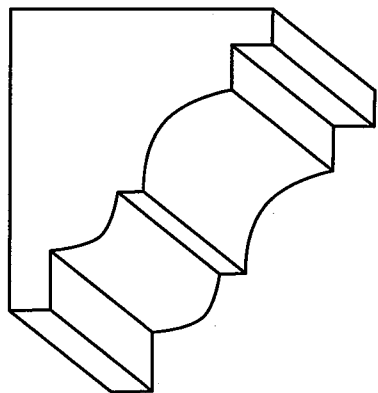
1927

1-7/16 X 1-3/4



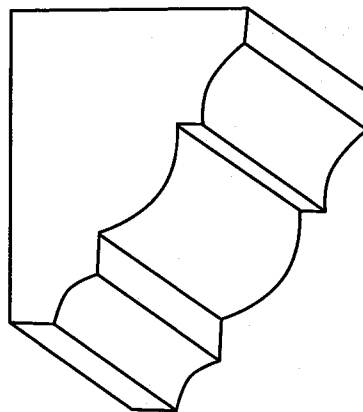
1930

1-1/8 X 1-7/8



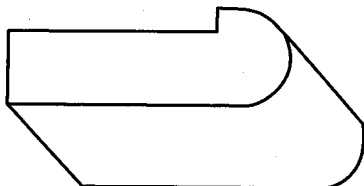
1916

1-5/16 X 1-9/16



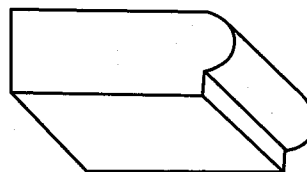
1931

1-1/8 X 1-5/8



1923

1/2 X 1-7/16



1917

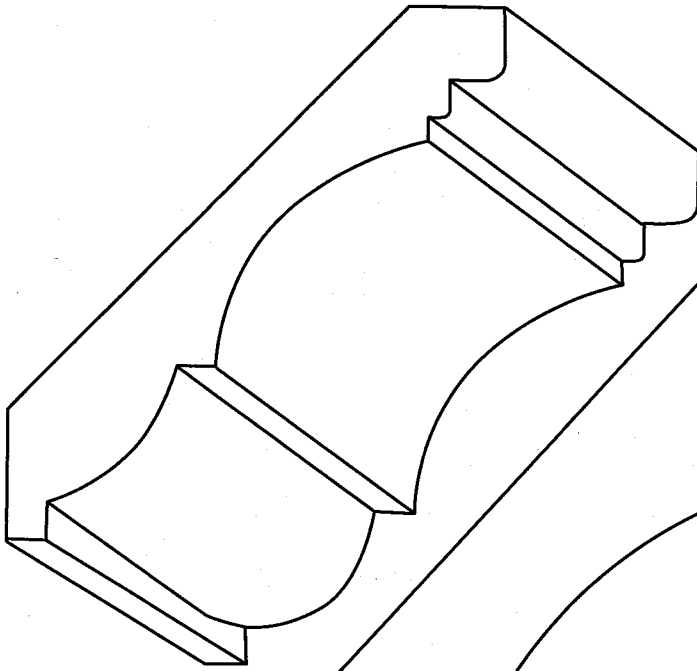
7/16 X 1-1/8



CROWNS

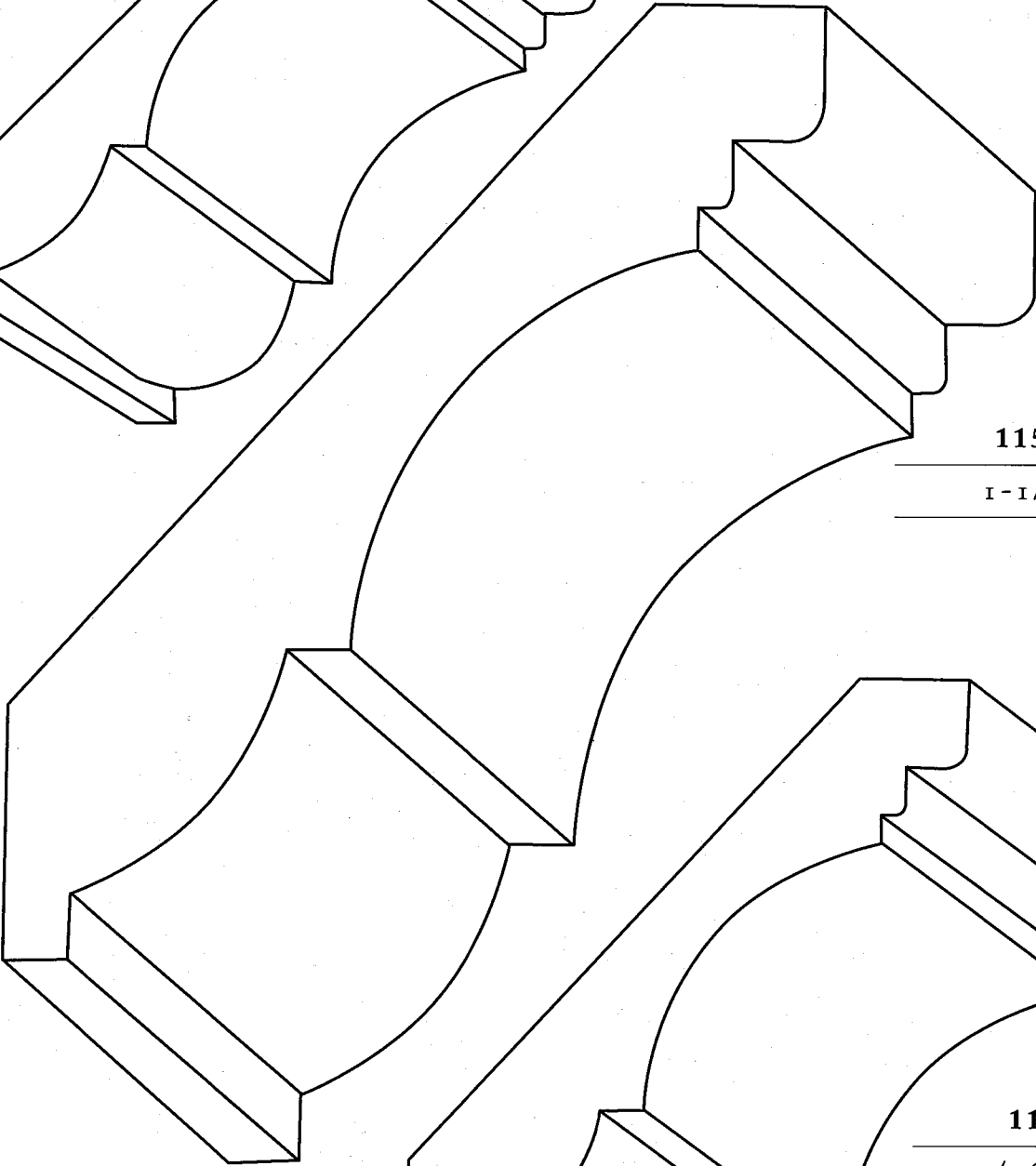
1156

$3/4 \times 3-3/4$



1158

$1-1/8 \times 7$



1157

$13/16 \times 4-3/4$

WHITE BROTHERS

510-261-1600