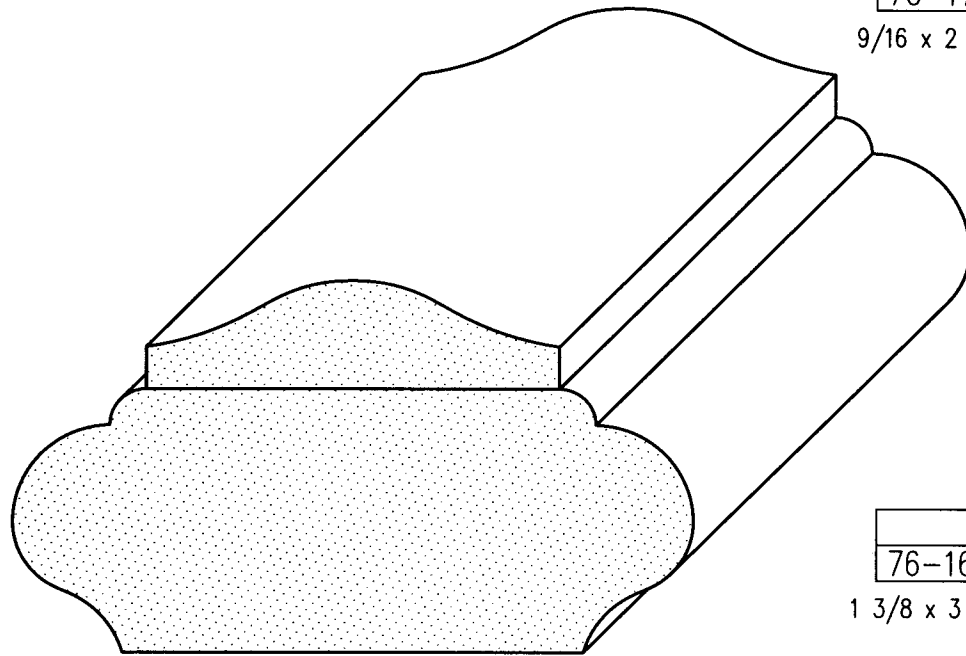


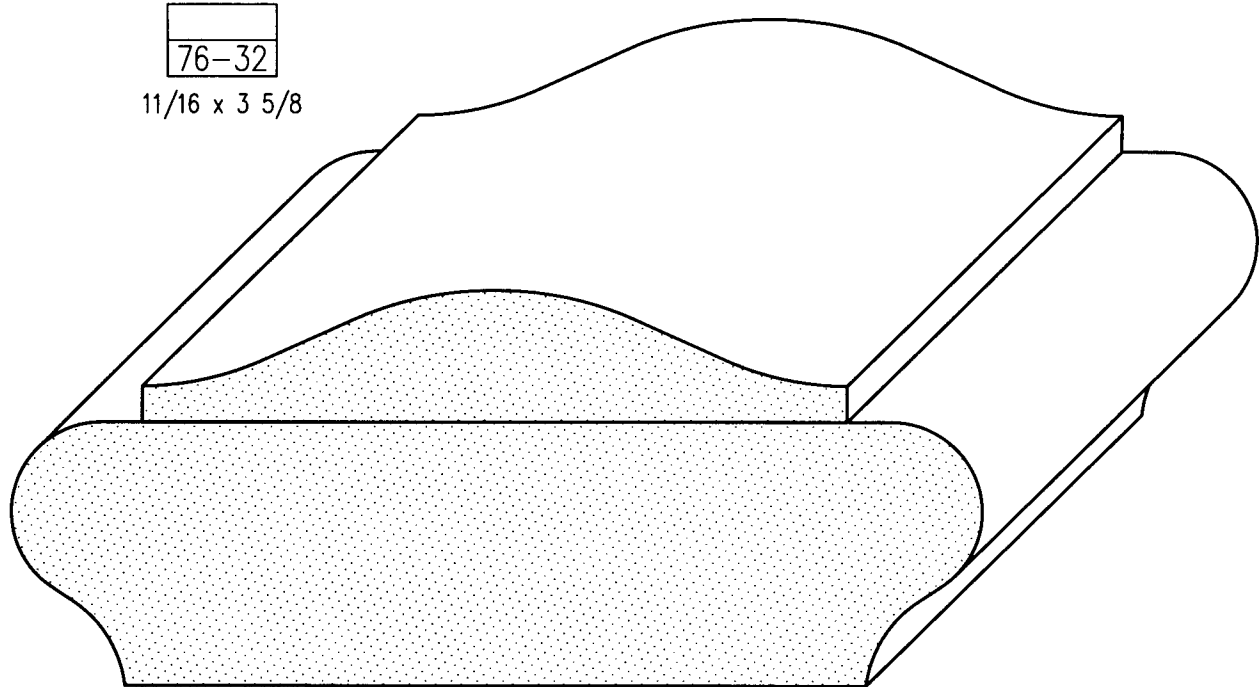
76-17

9/16 x 2 1/8



76-16

1 3/8 x 3 1/2



76-32

11/16 x 3 5/8

76-12

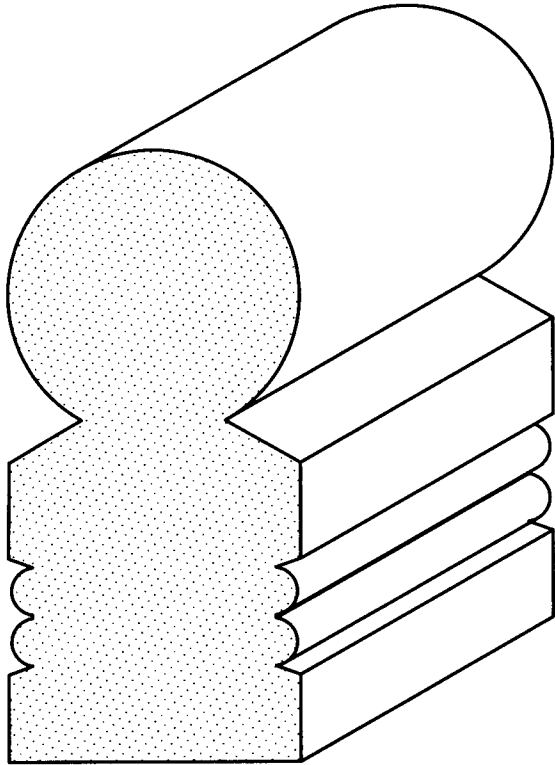
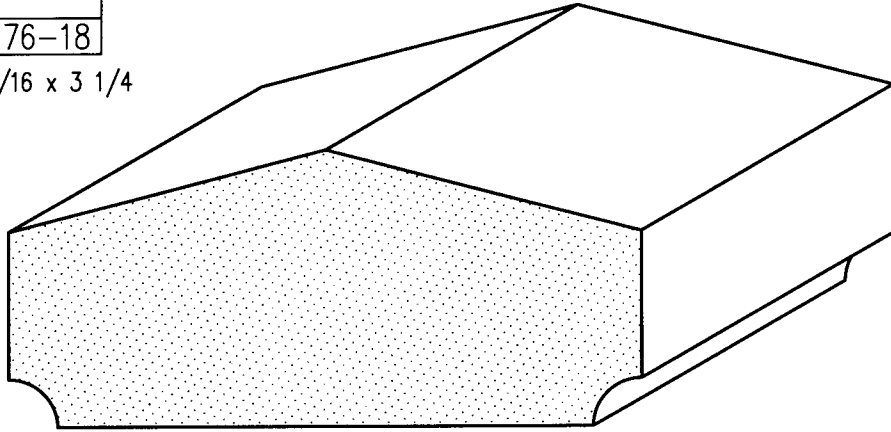
1 3/8 x 5

WOOD MOLDINGS

FULL SCALE

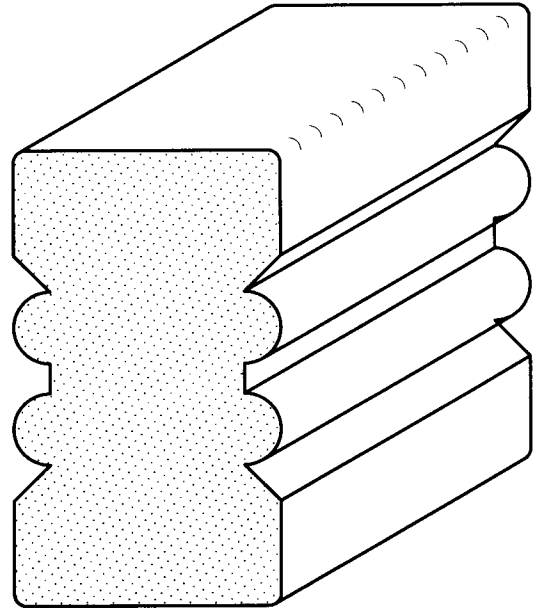
76-18

$1 \frac{7}{16} \times 3 \frac{1}{4}$



76-23

$1 \frac{1}{2} \times 3 \frac{3}{16}$

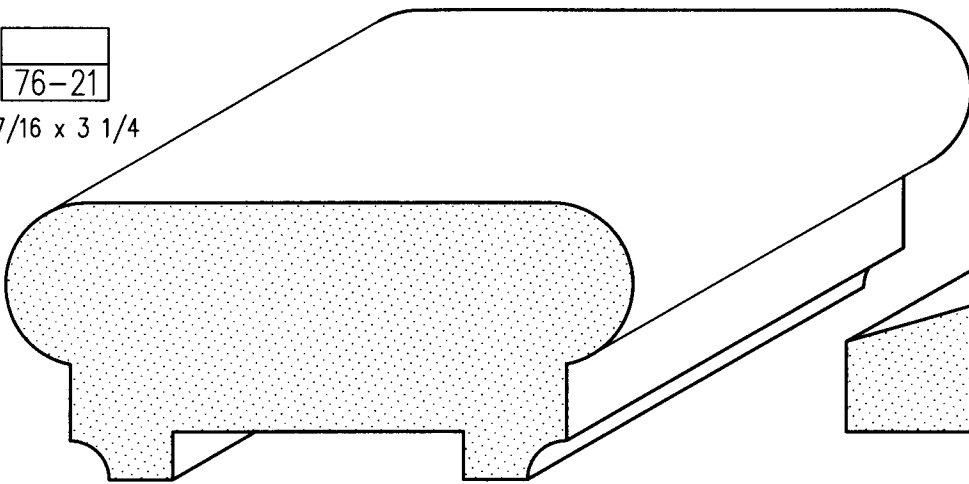


75-5

$1 \frac{3}{8} \times 2 \frac{3}{8}$

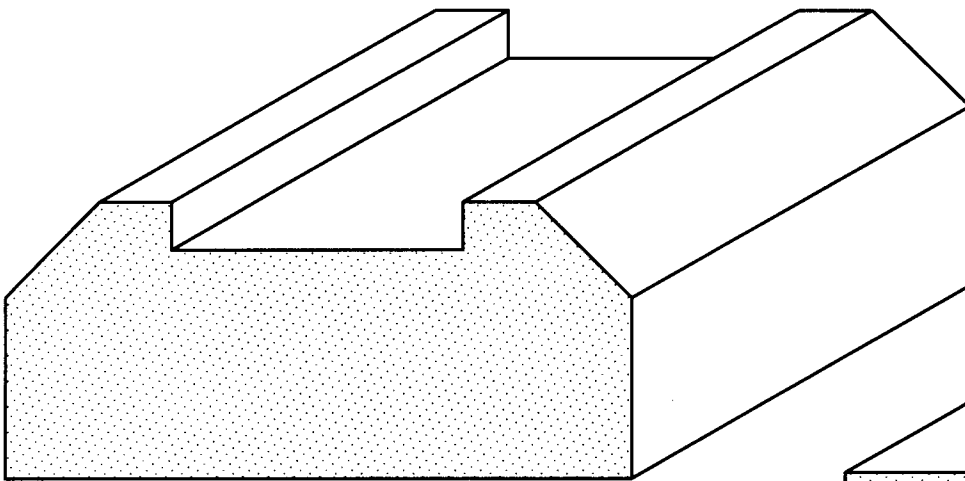
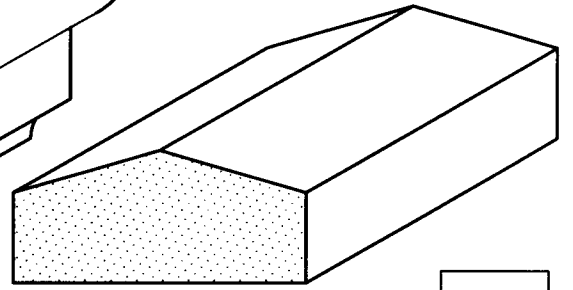
76-21

1 7/16 x 3 1/4



75-9

1 1/16 x 1 1/2

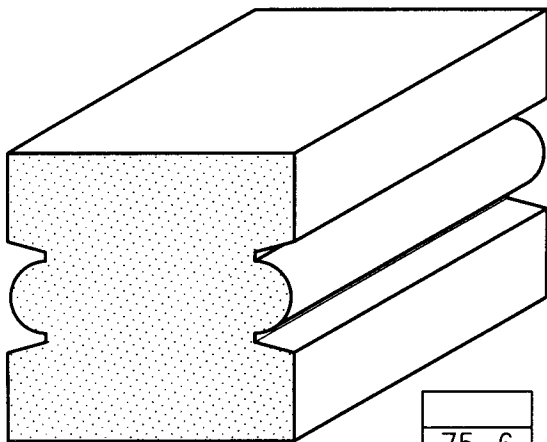
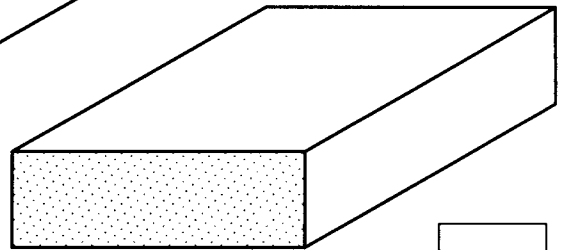


76-22

1 7/16 x 3 1/4

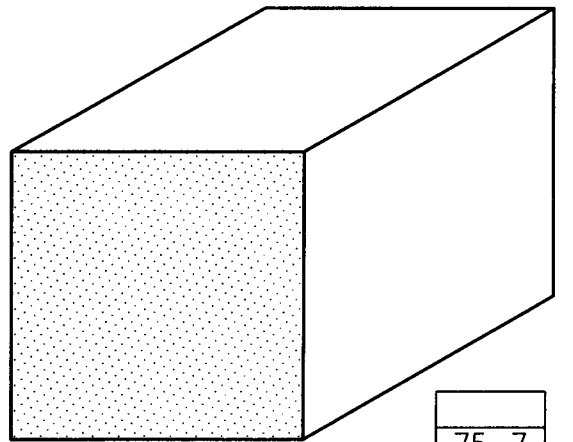
75-8

1/2 x 1 1/2



75-6

1 1/2 x 1 1/2



75-7

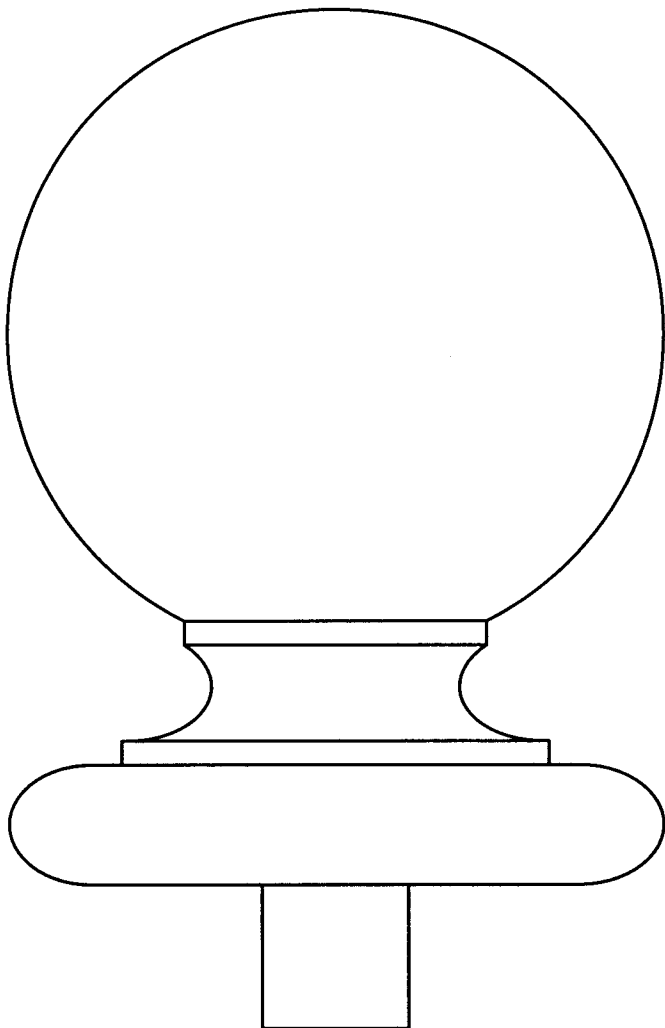
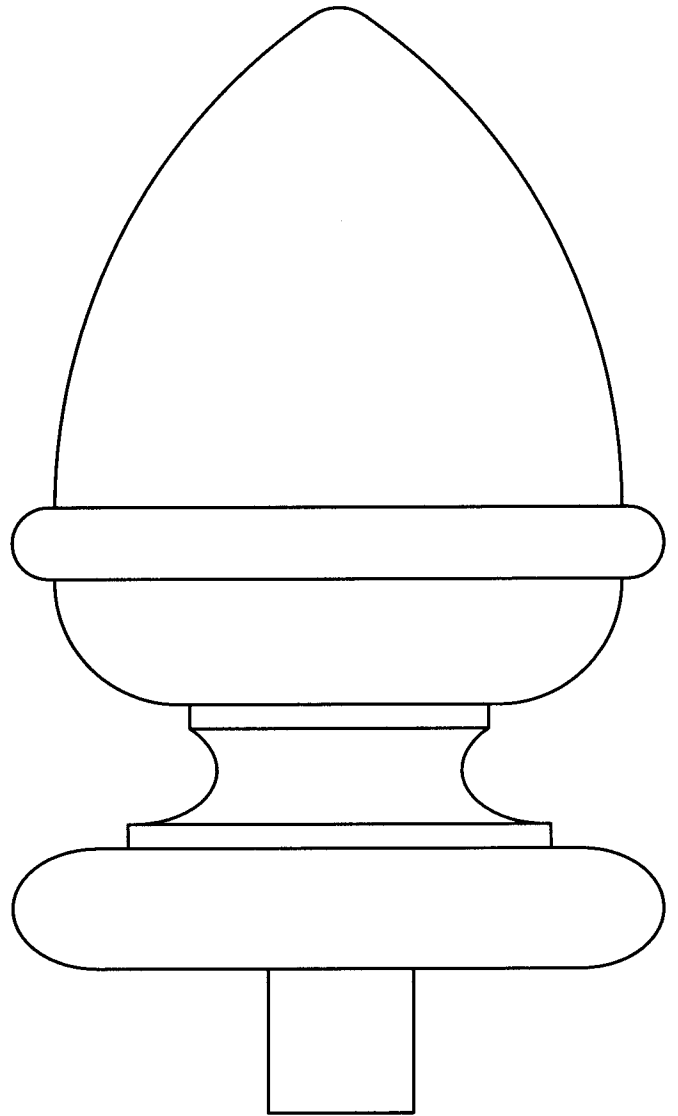
1 1/2 x 1 1/2

WOOD MOLDINGS

FULL SCALE

PC1A

3 3/8 x 5 3/4

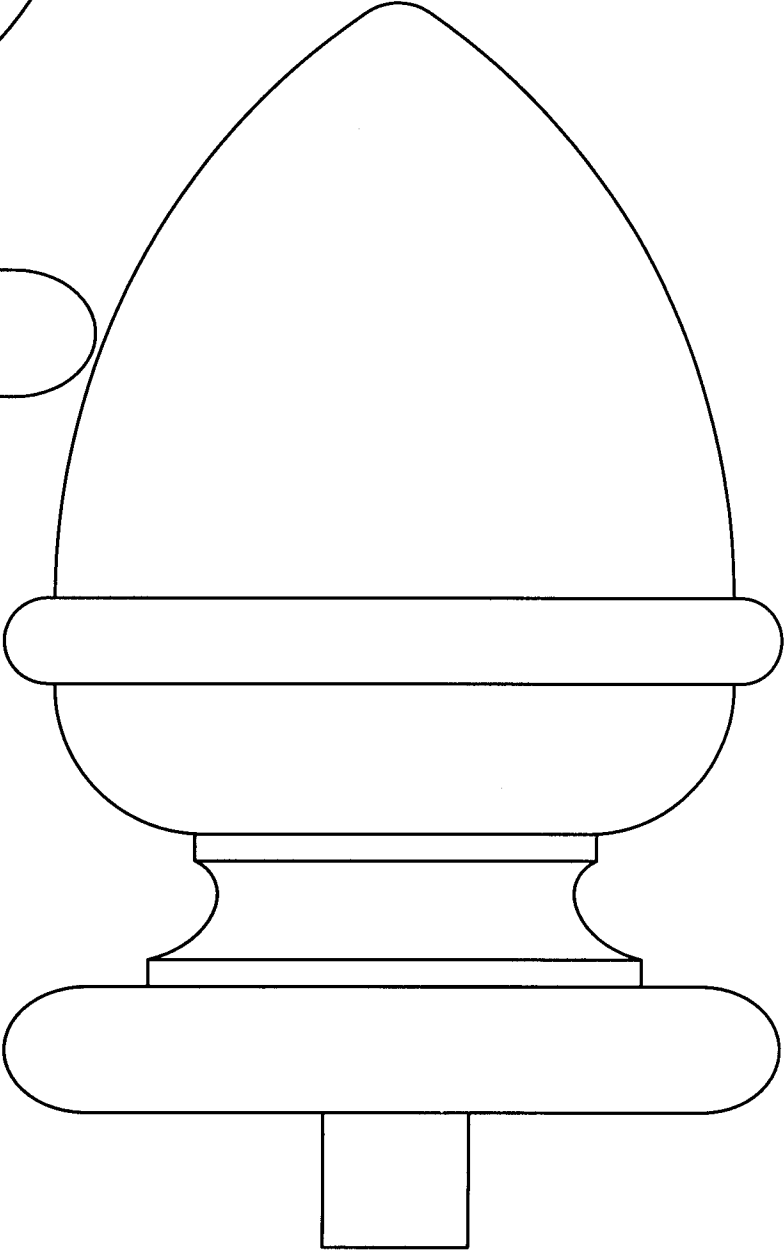
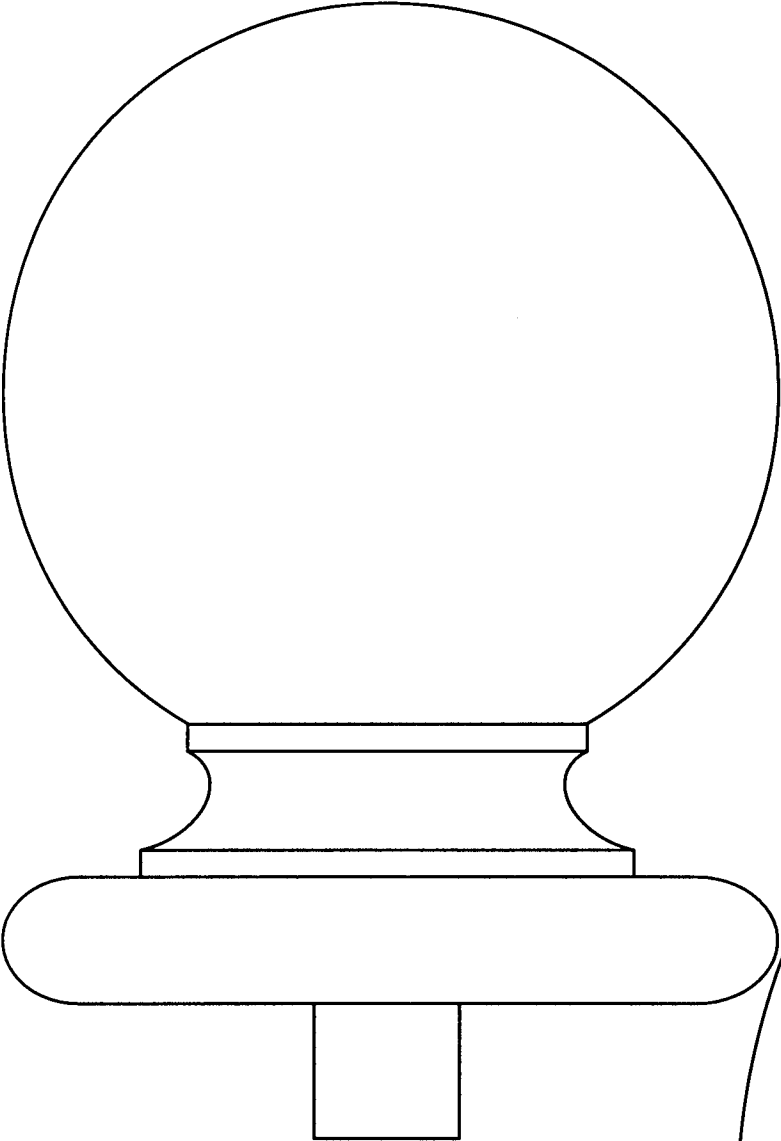


PC1B

3 3/8 x 5

PC2B

5 3/8 x 7 1/4

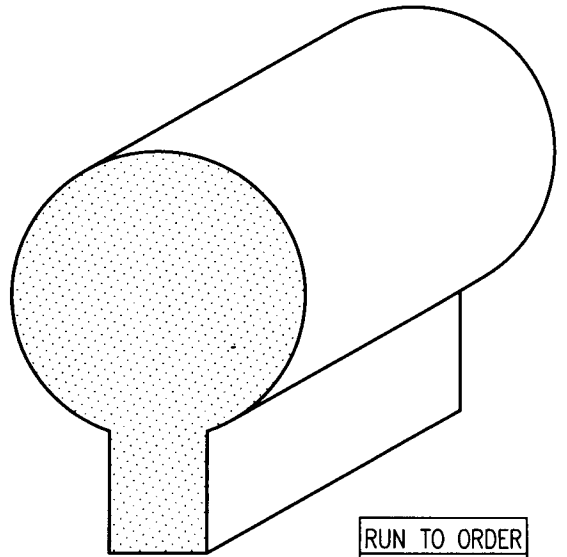
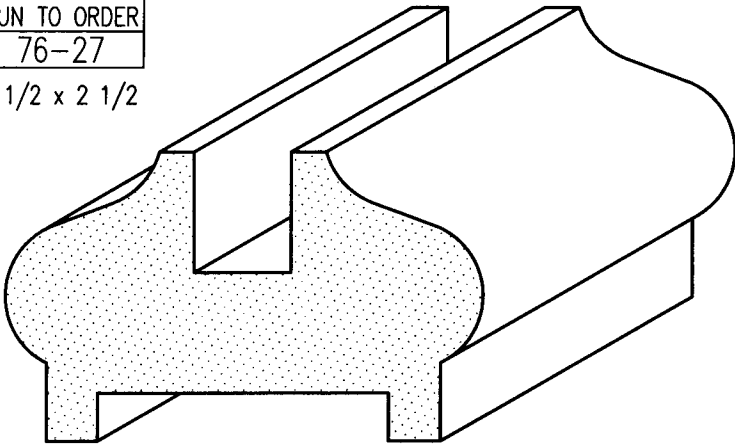


PC2A

5 3/8 x 8 1/2

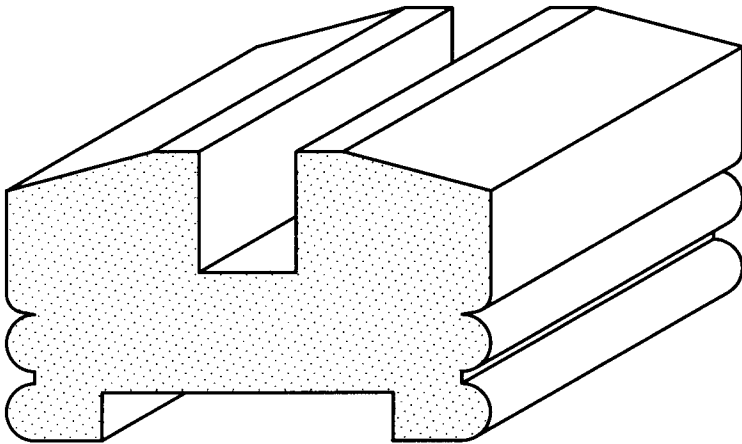
RUN TO ORDER  
76-27

1 1/2 x 2 1/2



RUN TO ORDER  
76-24

1 1/2 x 2 1/8

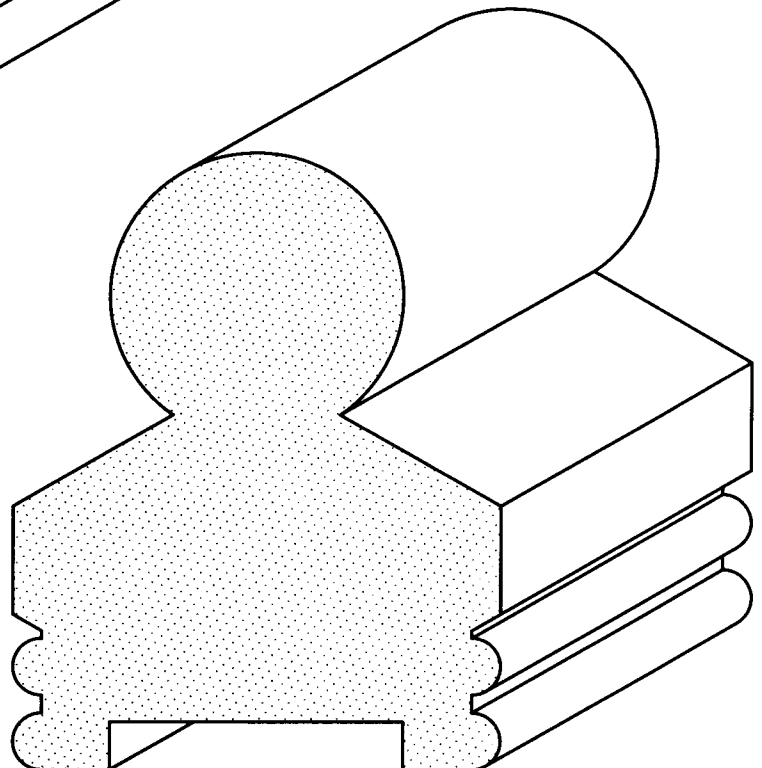


RUN TO ORDER  
76-28

1 1/2 x 2 1/2

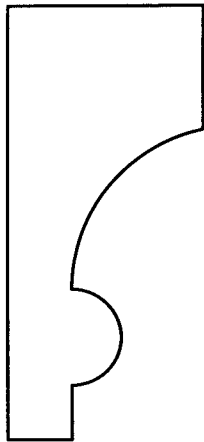
RUN TO ORDER  
76-20

2 1/2 x 3 1/4



# RUN TO ORDER WOOD MOLDINGS

FULL SCALE



RUN TO ORDER

3-4

1 x 2 1/4

RUN TO ORDER

76-33

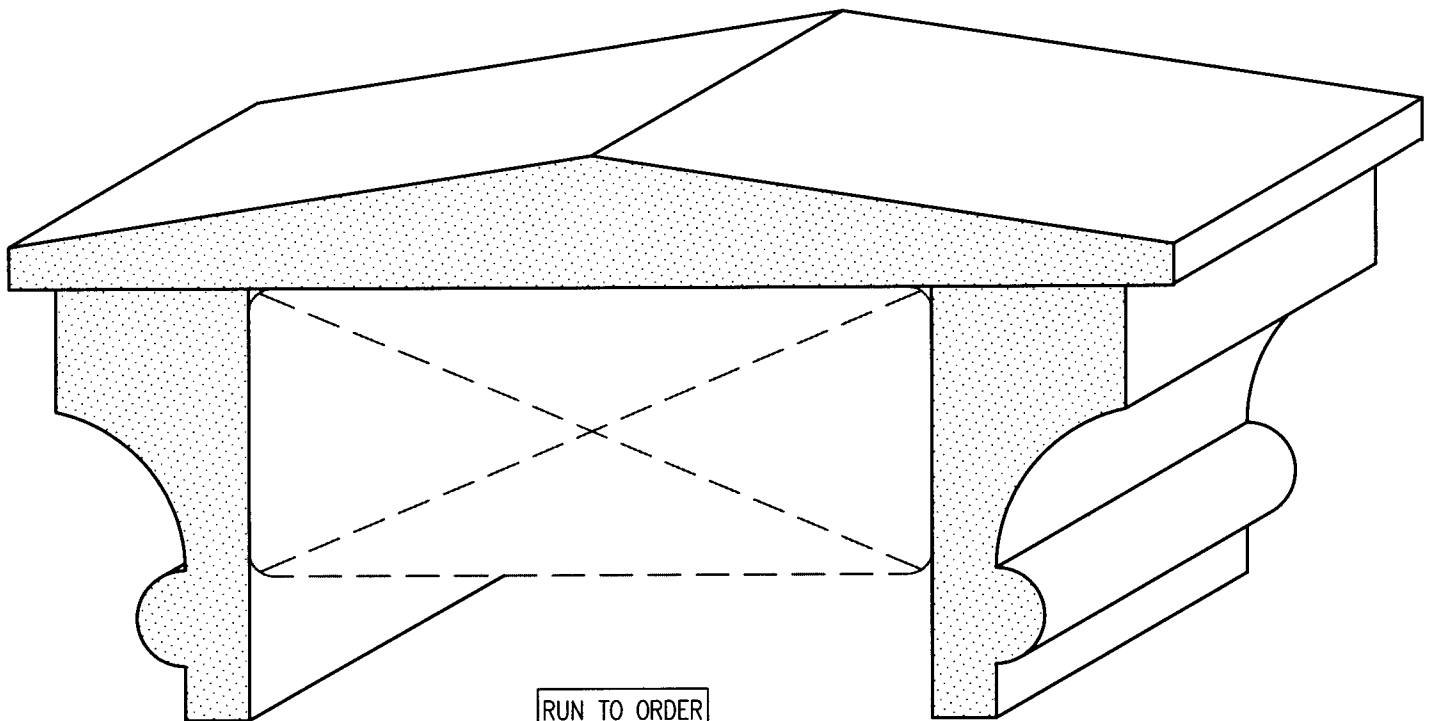
11/16 x 5



RUN TO ORDER

76-34

11/16 x 6



RUN TO ORDER

76-35

(COMPOSITE)