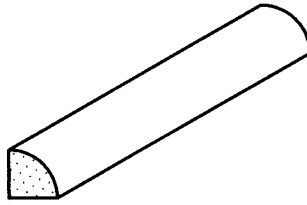


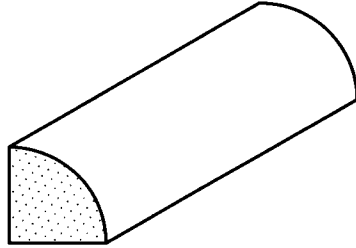
4-1

$1/4 \times 1/4$



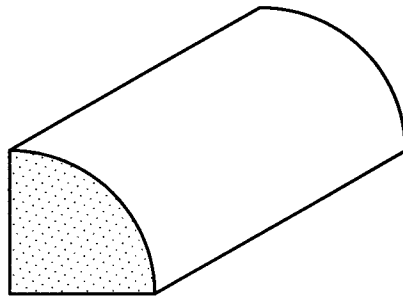
4-5

$1/2 \times 1/2$



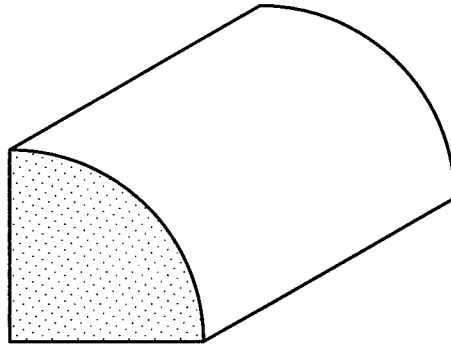
4-2

$3/4 \times 3/4$



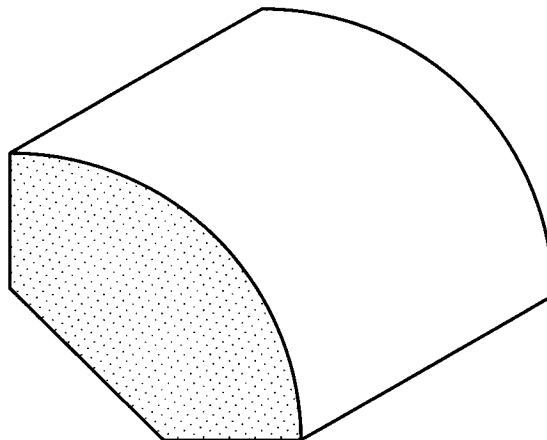
4-6

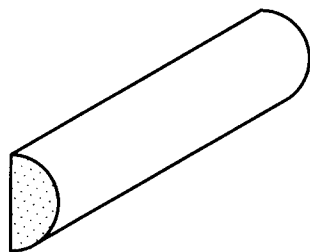
1×1



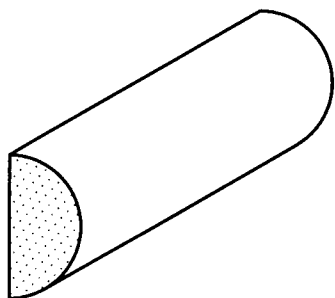
4-12

$15/16 \times 2 \ 1/8$

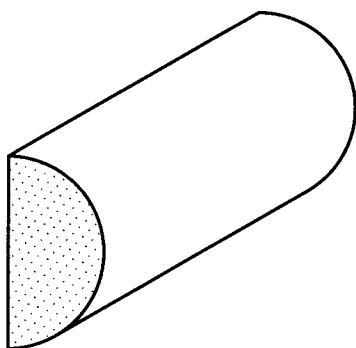




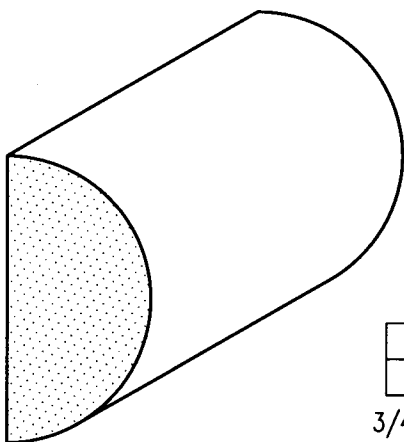
5-12
1/4 x 1/2



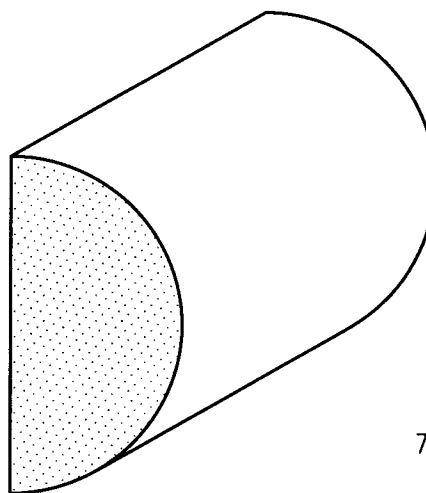
5-34
3/8 x 3/4



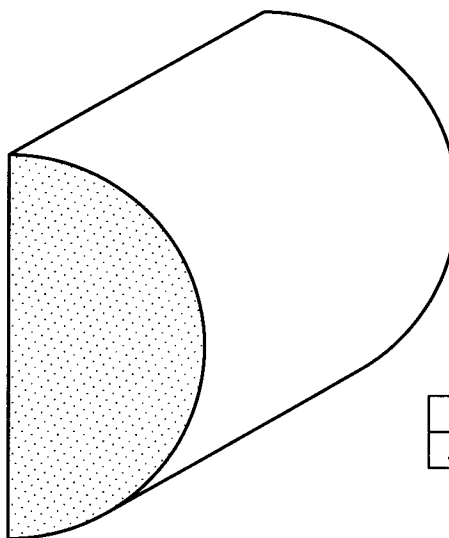
5-13
1/2 x 1



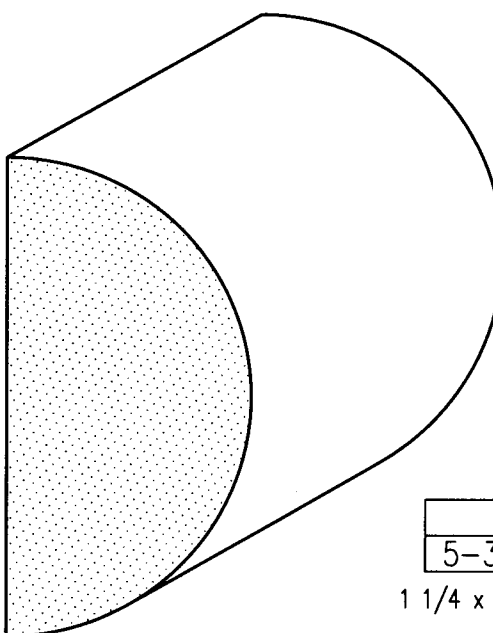
5-14
3/4 x 1 1/2



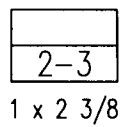
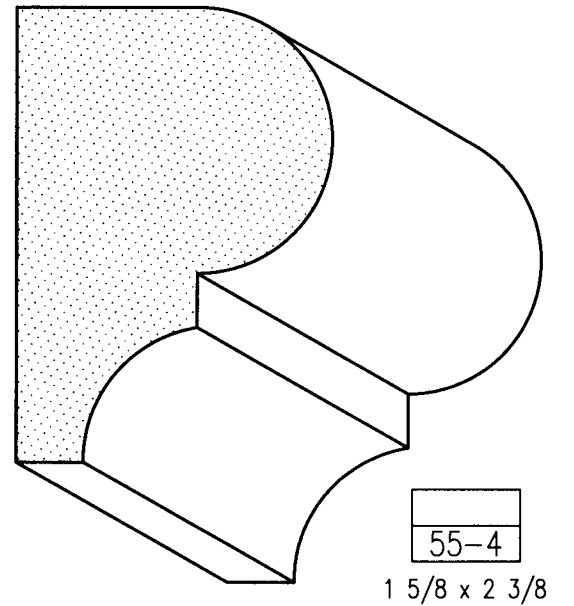
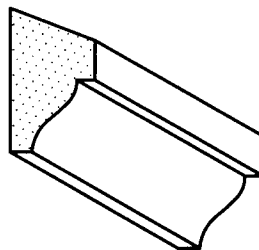
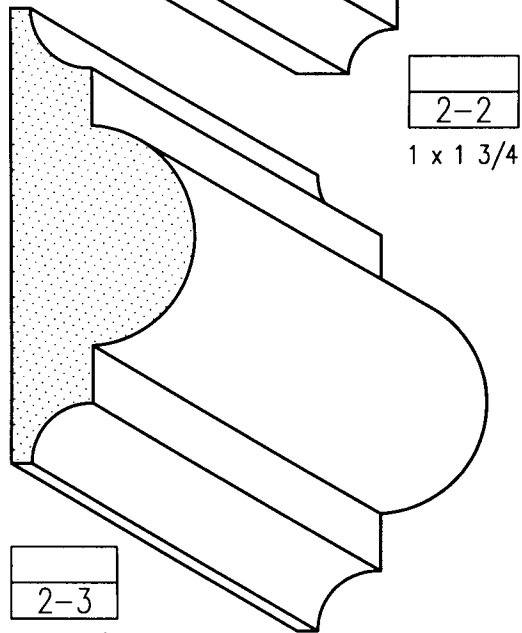
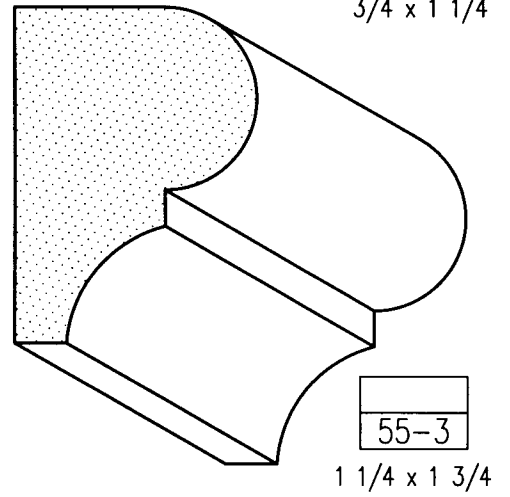
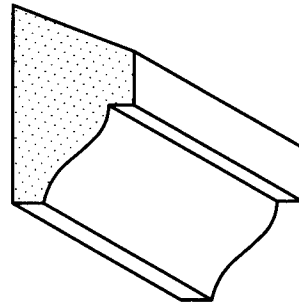
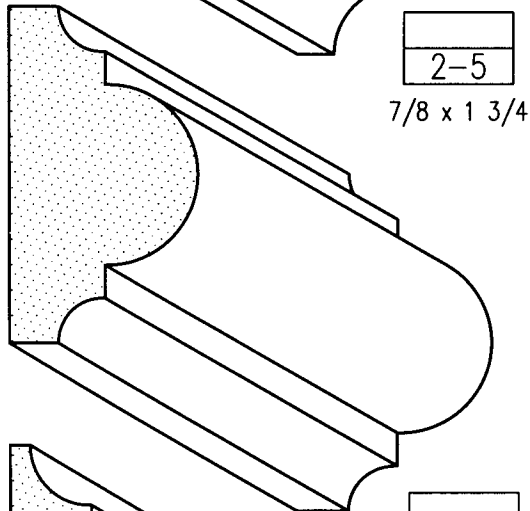
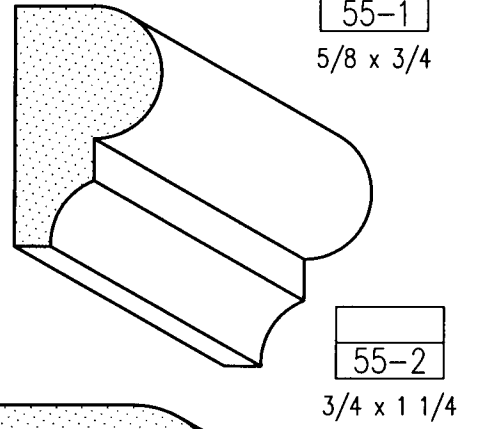
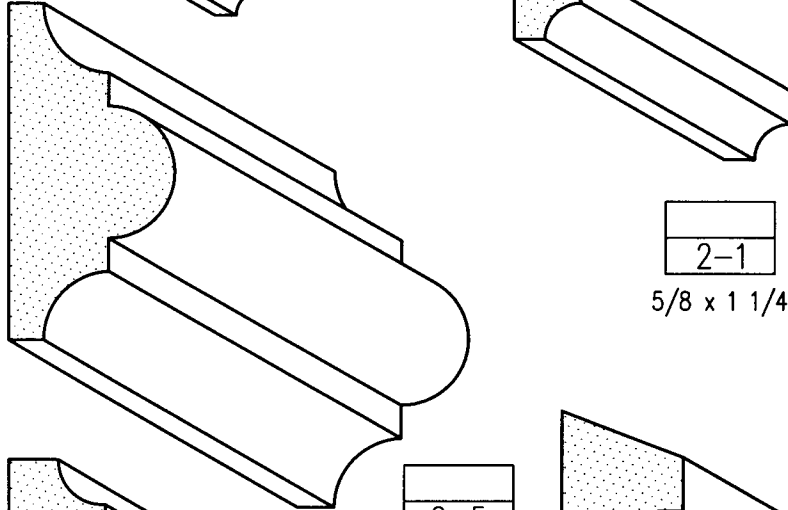
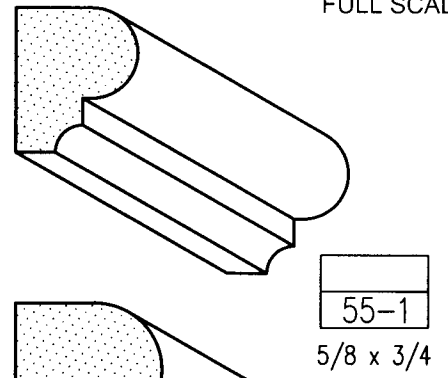
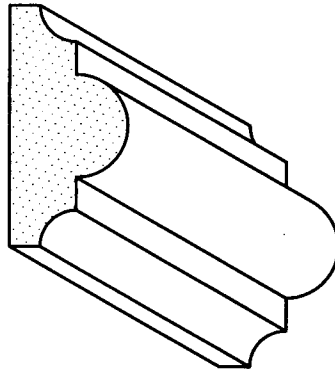
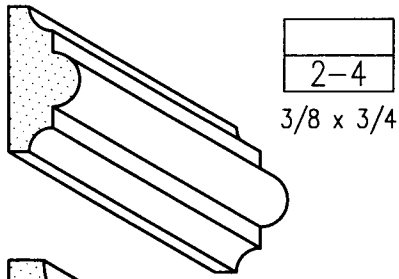
5-35
7/8 x 1 3/4



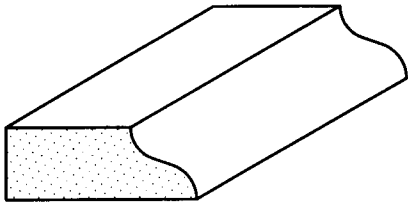
5-36
1 x 2



5-37
1 1/4 x 2 1/2

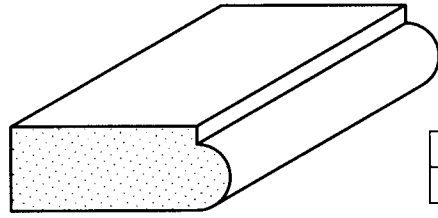


FULL SCALE



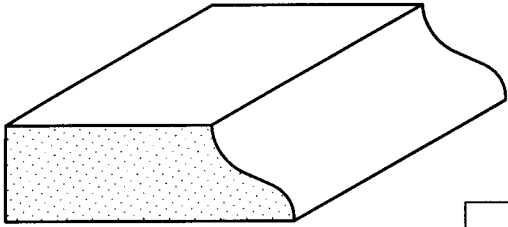
50-3

$3/8 \times 1$



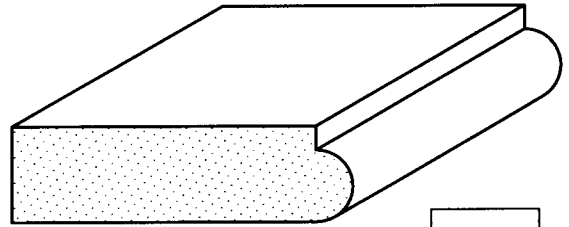
50-1

$1/2 \times 1 \ 1/8$



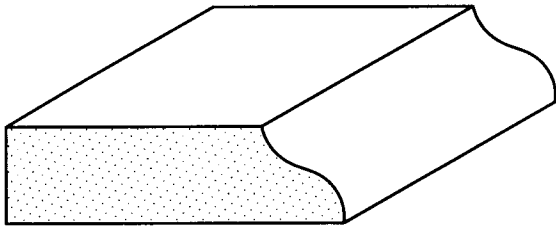
50-4

$1/2 \times 1 \ 1/2$



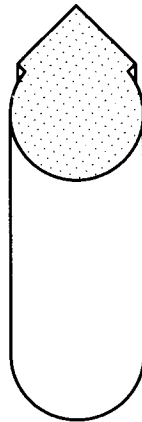
50-2

$1/2 \times 1 \ 3/4$



50-5

$1/2 \times 1 \ 3/4$

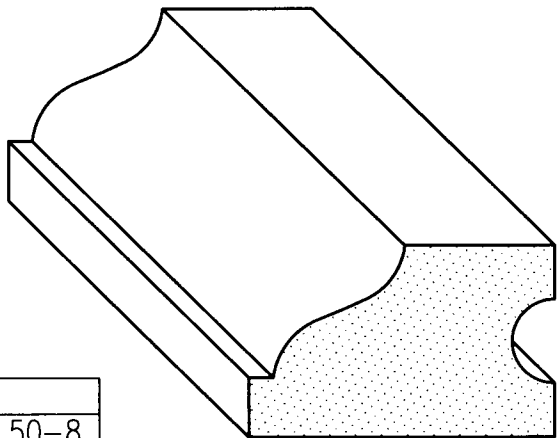
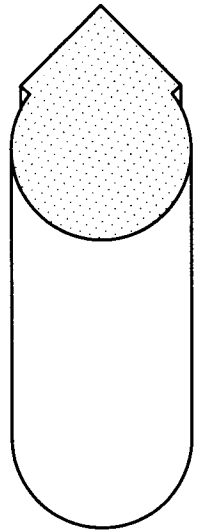


50-12

$11/16 \times 7/8$

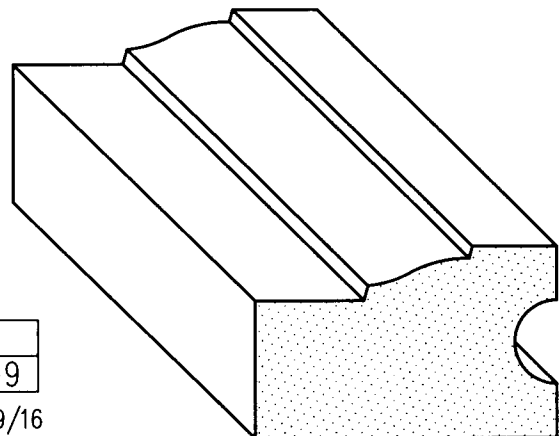
50-13

$15/16 \times 1 \ 3/16$



50-8

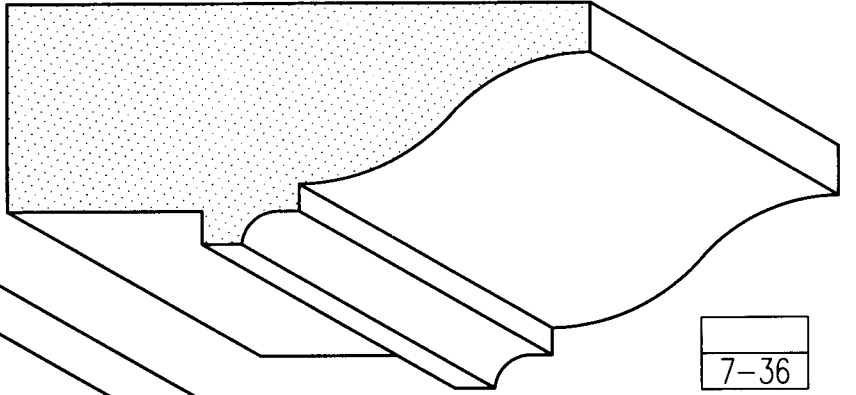
$1 \times 1 \ 9/16$



50-9

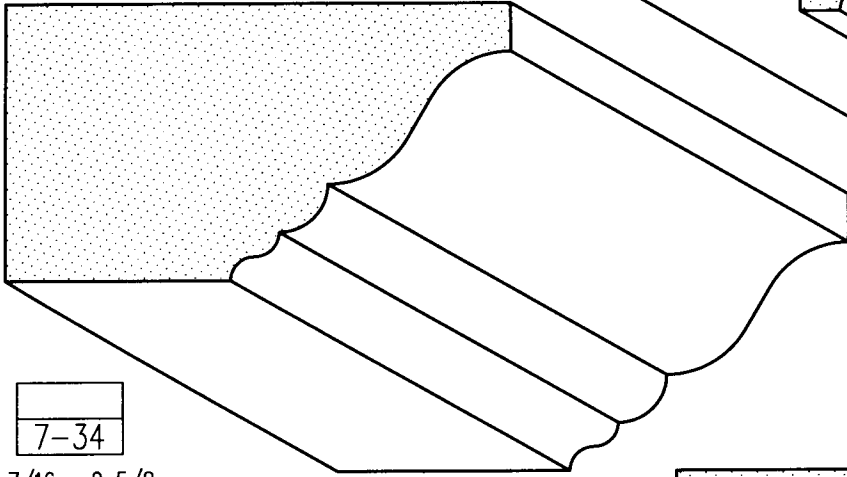
$1 \times 1 \ 9/16$

FULL SCALE



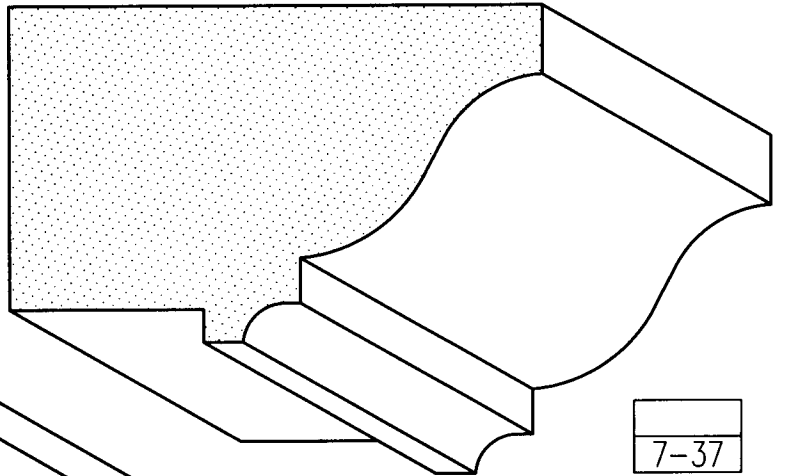
7-36

1 1/4 x 3



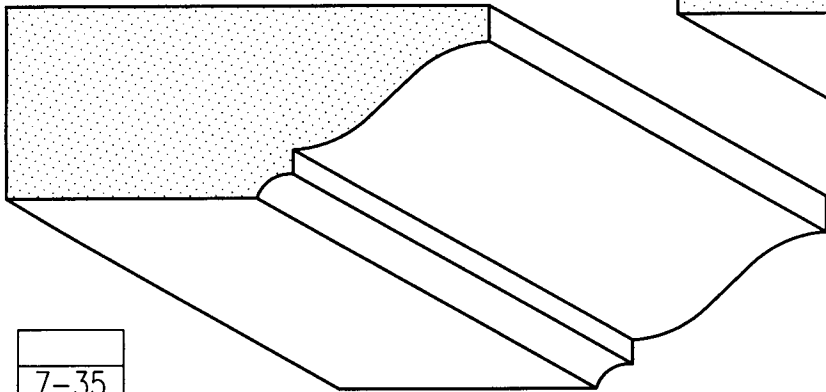
7-34

1 7/16 x 2 5/8



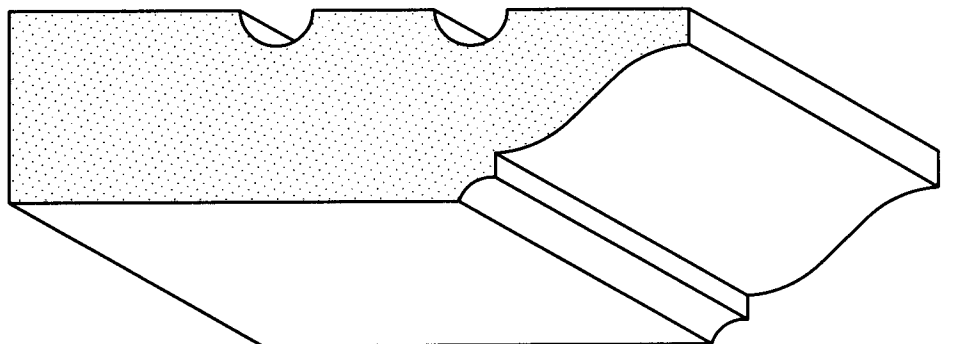
7-37

1 3/4 x 2 3/4



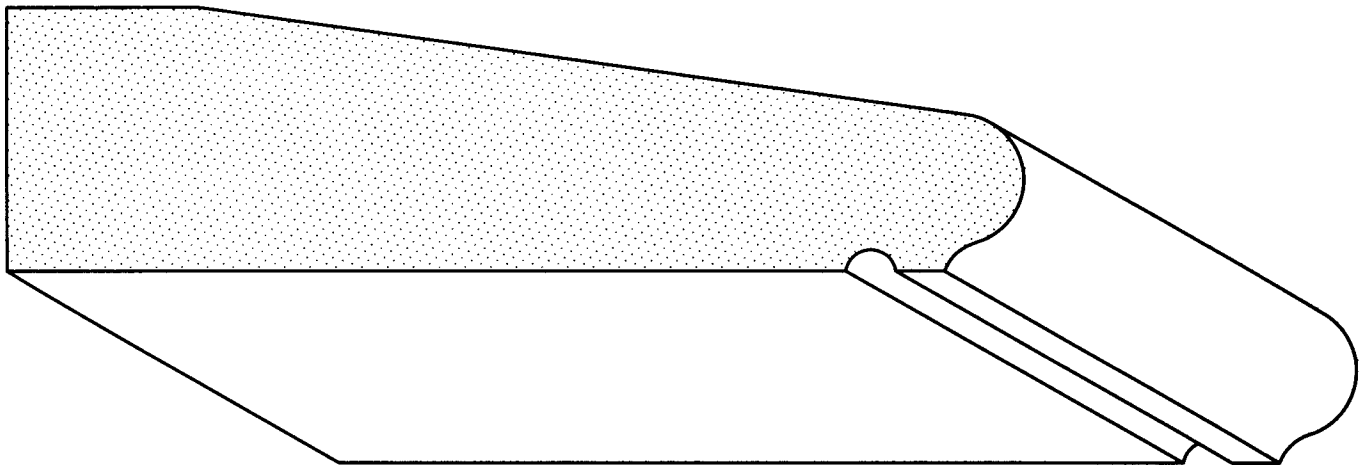
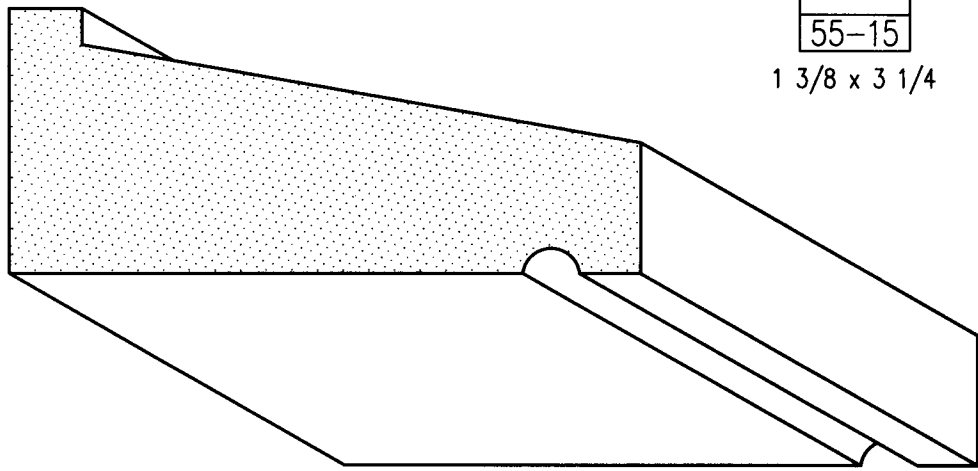
7-35

1 x 2 1/2



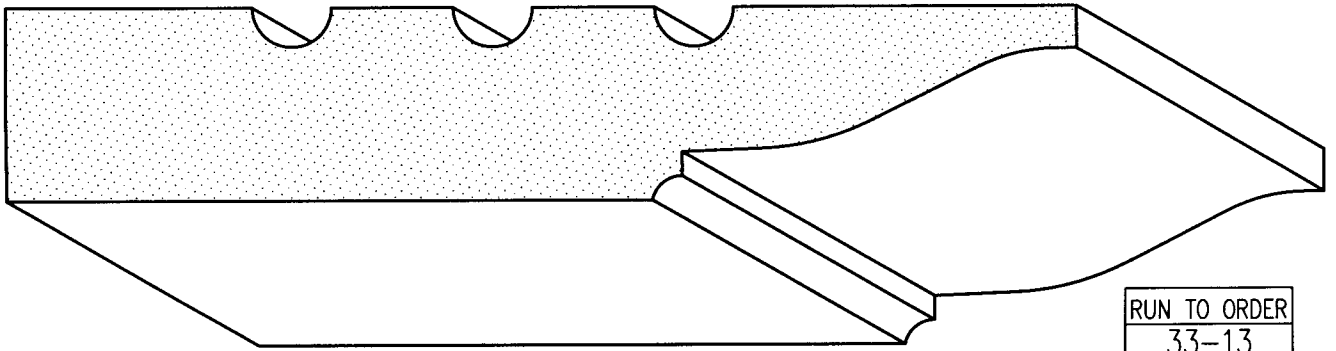
33-11

1 x 3 1/2



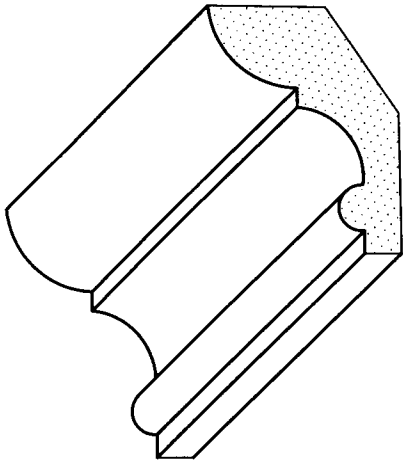
RUN TO ORDER WOOD MOLDINGS

FULL SCALE



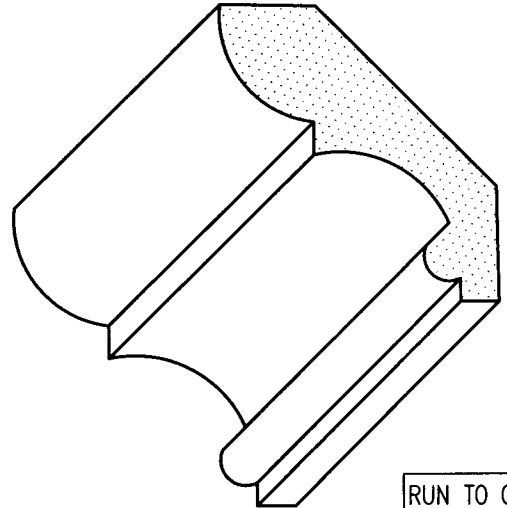
RUN TO ORDER
33-13

1 x 5 1/2



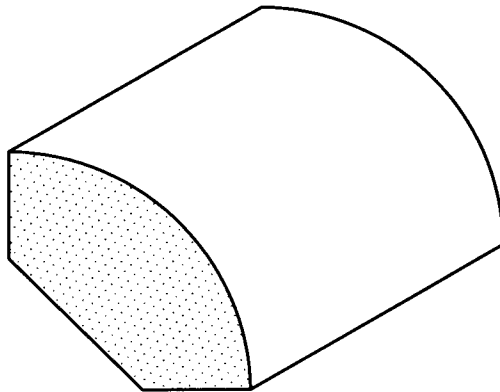
RUN TO ORDER
8-23

9/16 x 1 5/8



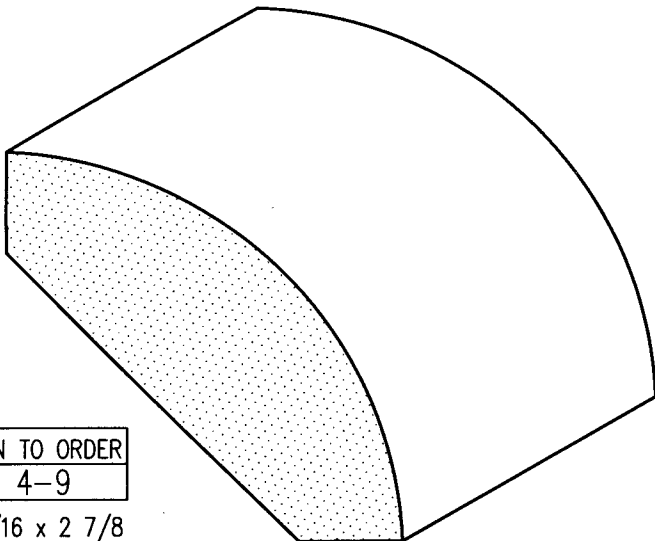
RUN TO ORDER
8-21

9/16 x 2 1/8



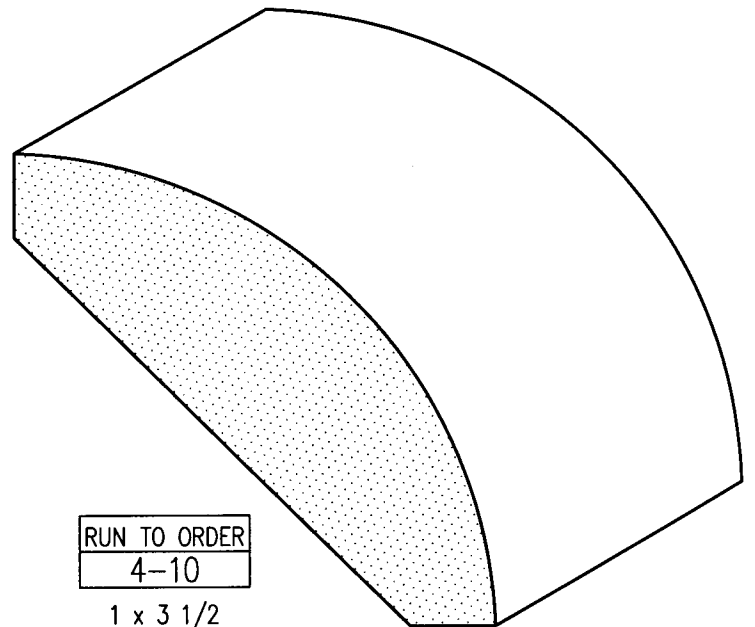
RUN TO ORDER
4-11

3/4 x 1 3/4



RUN TO ORDER
4-9

15/16 x 2 7/8

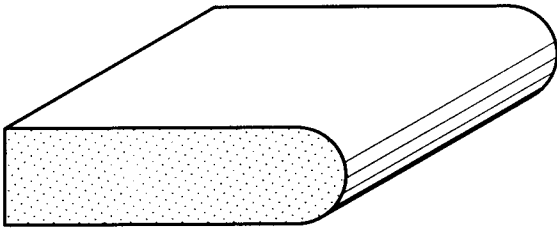


RUN TO ORDER
4-10

1 x 3 1/2

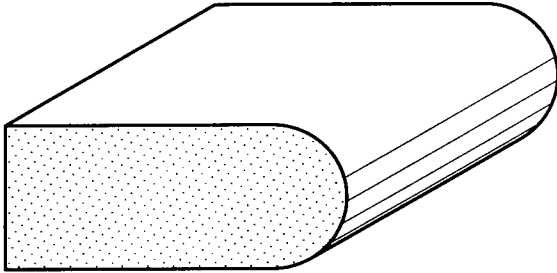
RUN TO ORDER WOOD MOLDINGS

FULL SCALE



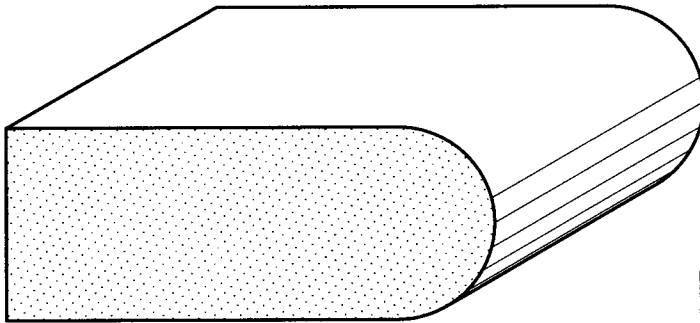
RUN TO ORDER
55-8

$1/2 \times 1 \ 3/4$



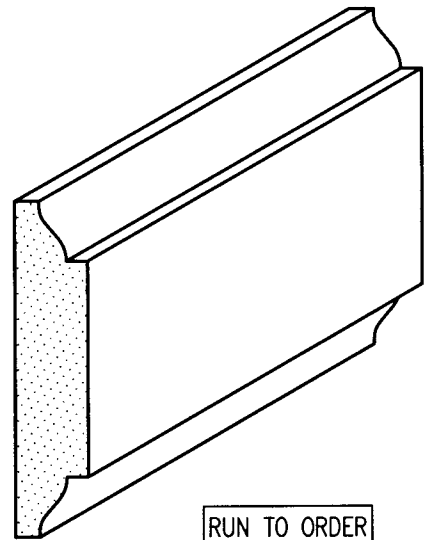
RUN TO ORDER
55-9

$3/4 \times 1 \ 3/4$



RUN TO ORDER
55-10

$1 \times 2 \ 1/2$

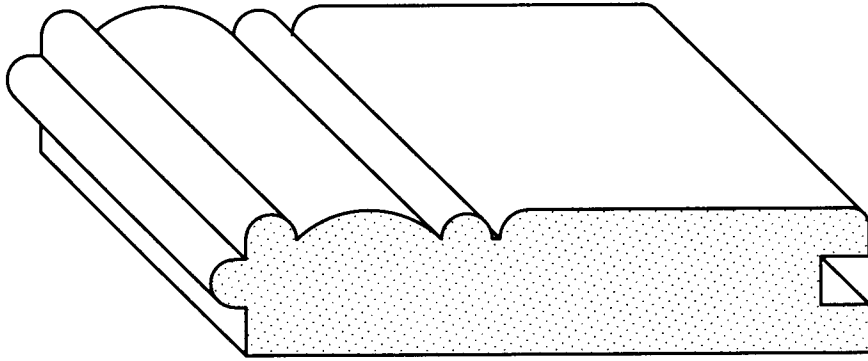


RUN TO ORDER
50-6

$3/8 \times 1 \ 3/4$

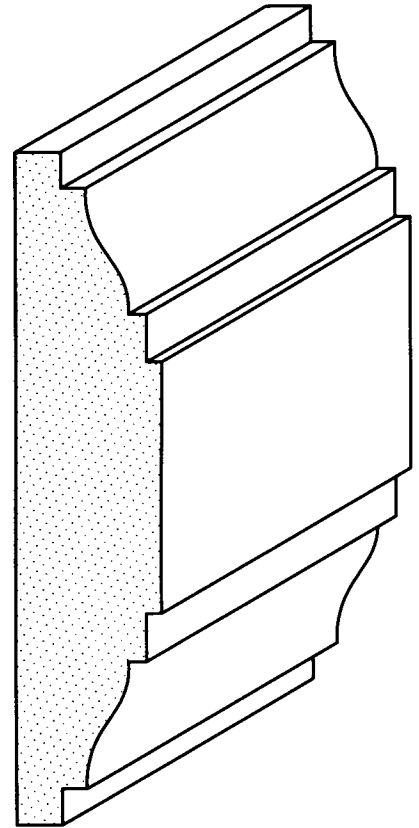
RUN TO ORDER WOOD MOLDINGS

FULL SCALE



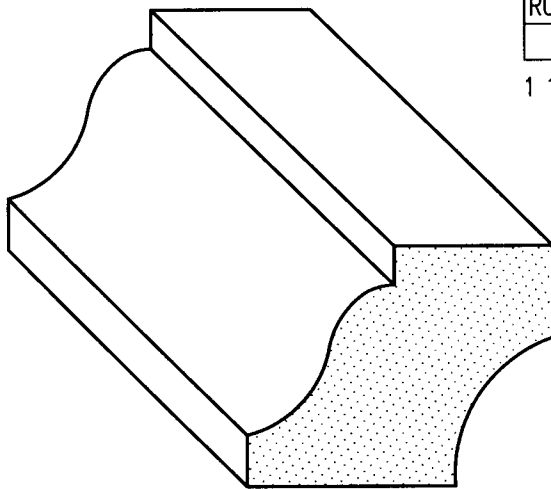
RUN TO ORDER
29-4

$3/4 \times 3 \frac{1}{2}$



RUN TO ORDER
30-10

$3/4 \times 1 \frac{3}{4}$



RUN TO ORDER
50-7

$1 \frac{1}{4} \times 1 \frac{9}{16}$