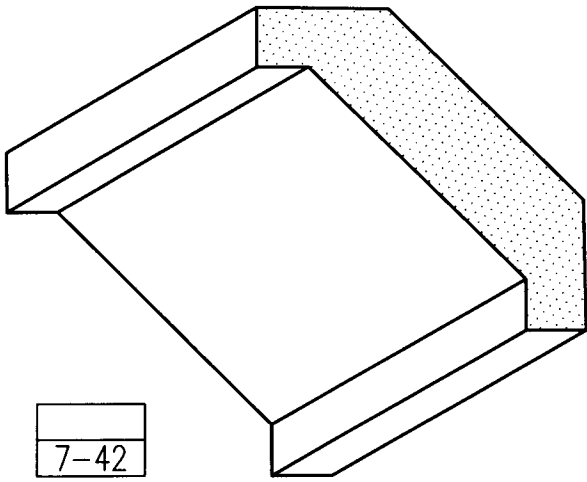
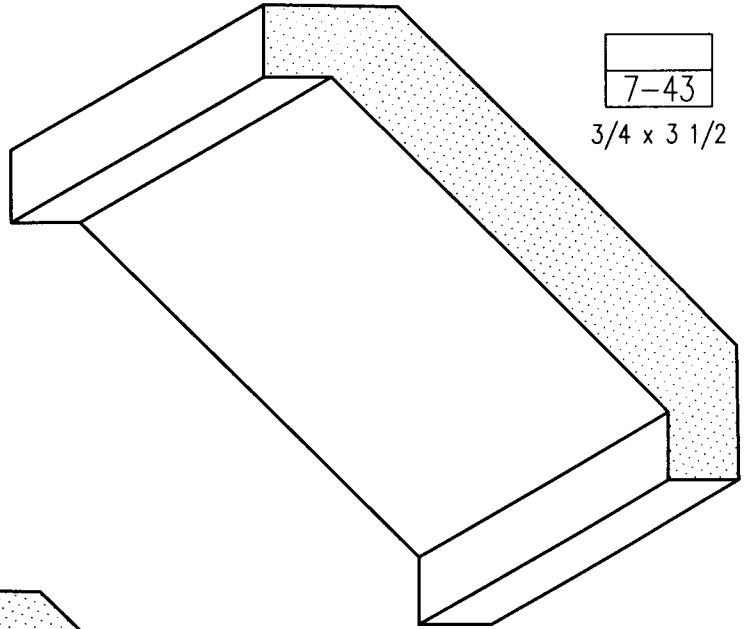


FULL SCALE



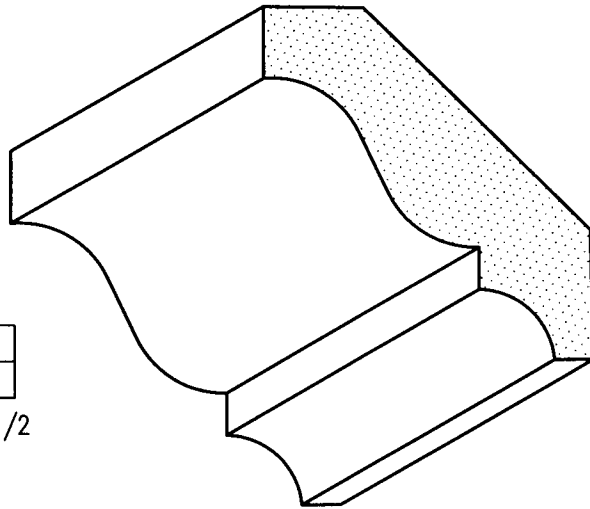
7-42

$11/16 \times 2 \ 3/8$



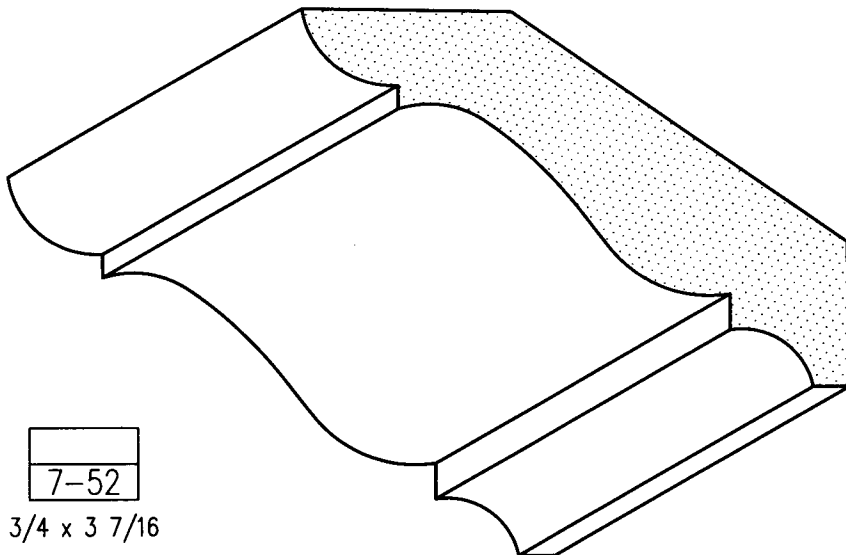
7-43

$3/4 \times 3 \ 1/2$



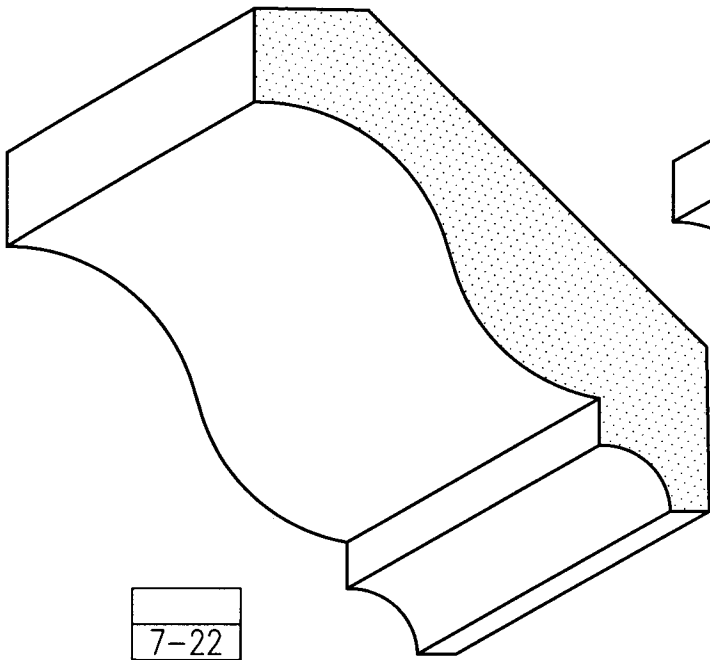
7-21

$5/8 \times 2 \ 1/2$

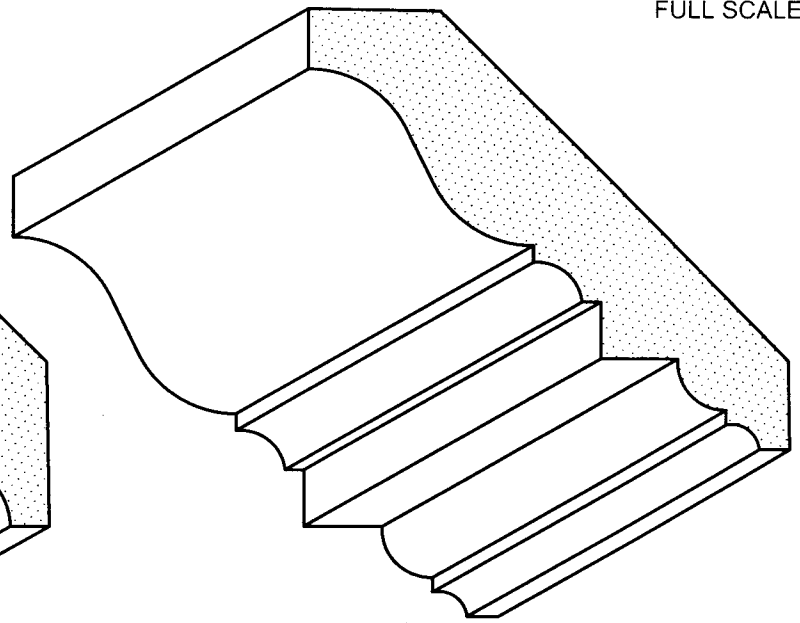


7-52

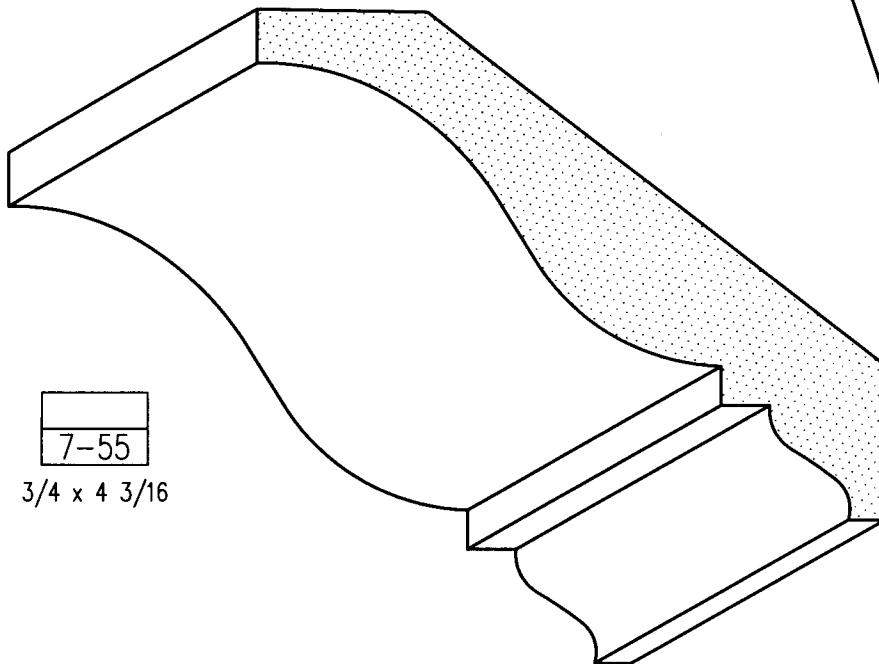
$3/4 \times 3 \ 7/16$



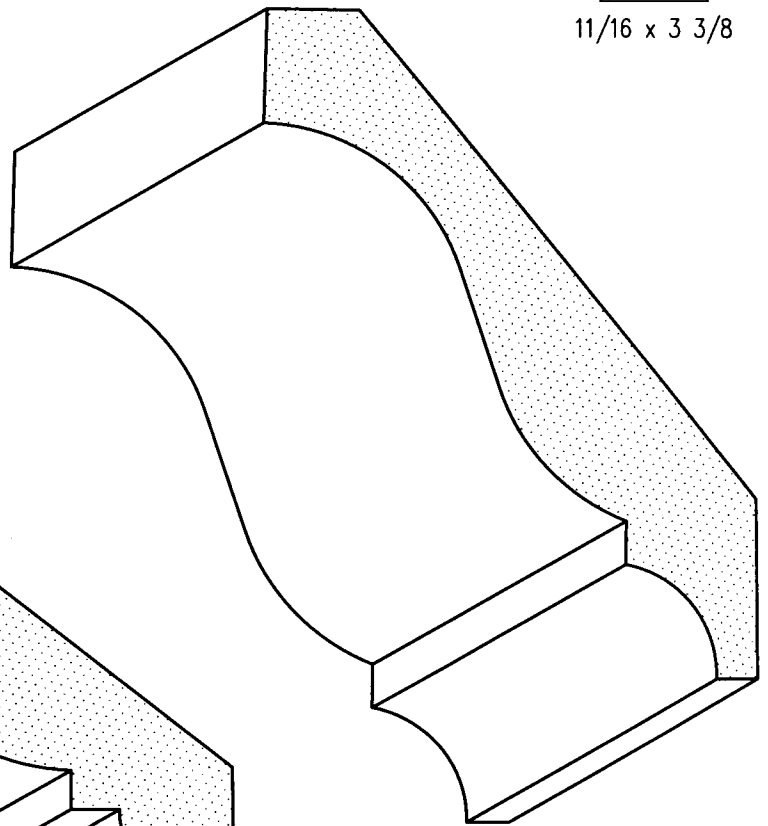
7-22
3/4 x 3 1/2



7-50
11/16 x 3 3/8

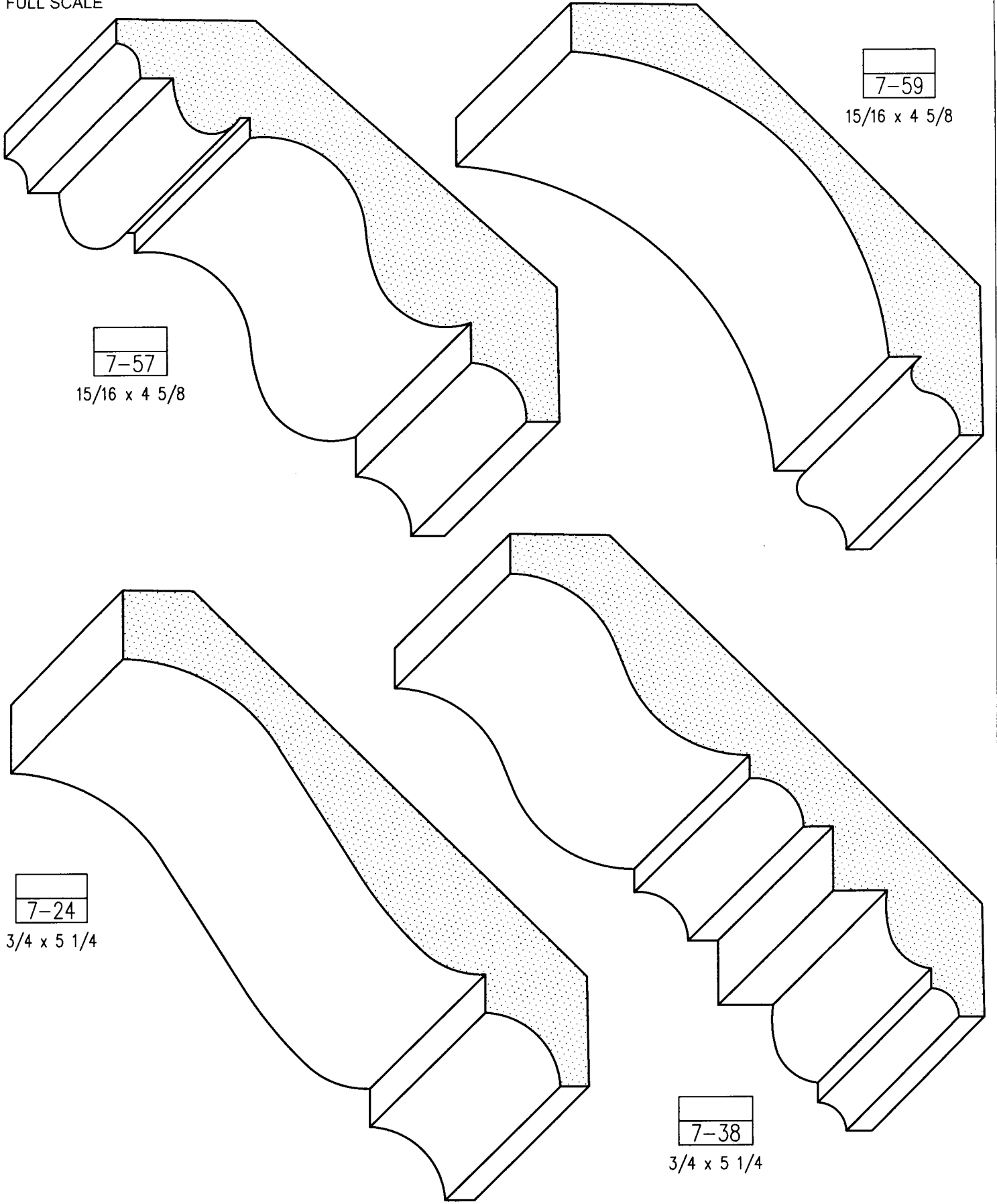


7-55
3/4 x 4 3/16



7-23
3/4 x 4 5/16

FULL SCALE



7-57

15/16 x 4 5/8

7-59

15/16 x 4 5/8

7-24

3/4 x 5 1/4

7-38

3/4 x 5 1/4

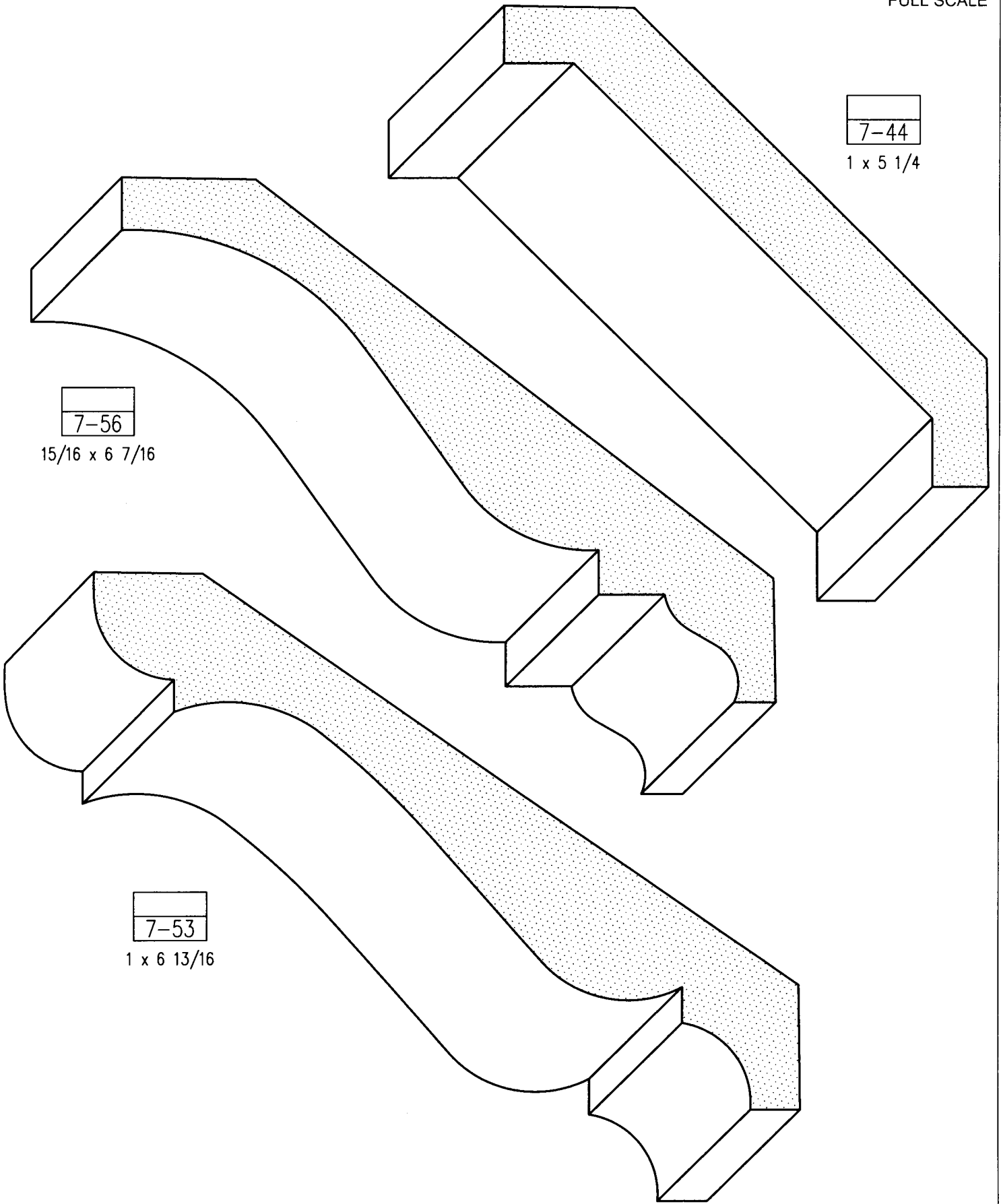
7-44
1 x 5 1/4

7-56

15/16 x 6 7/16

7-53

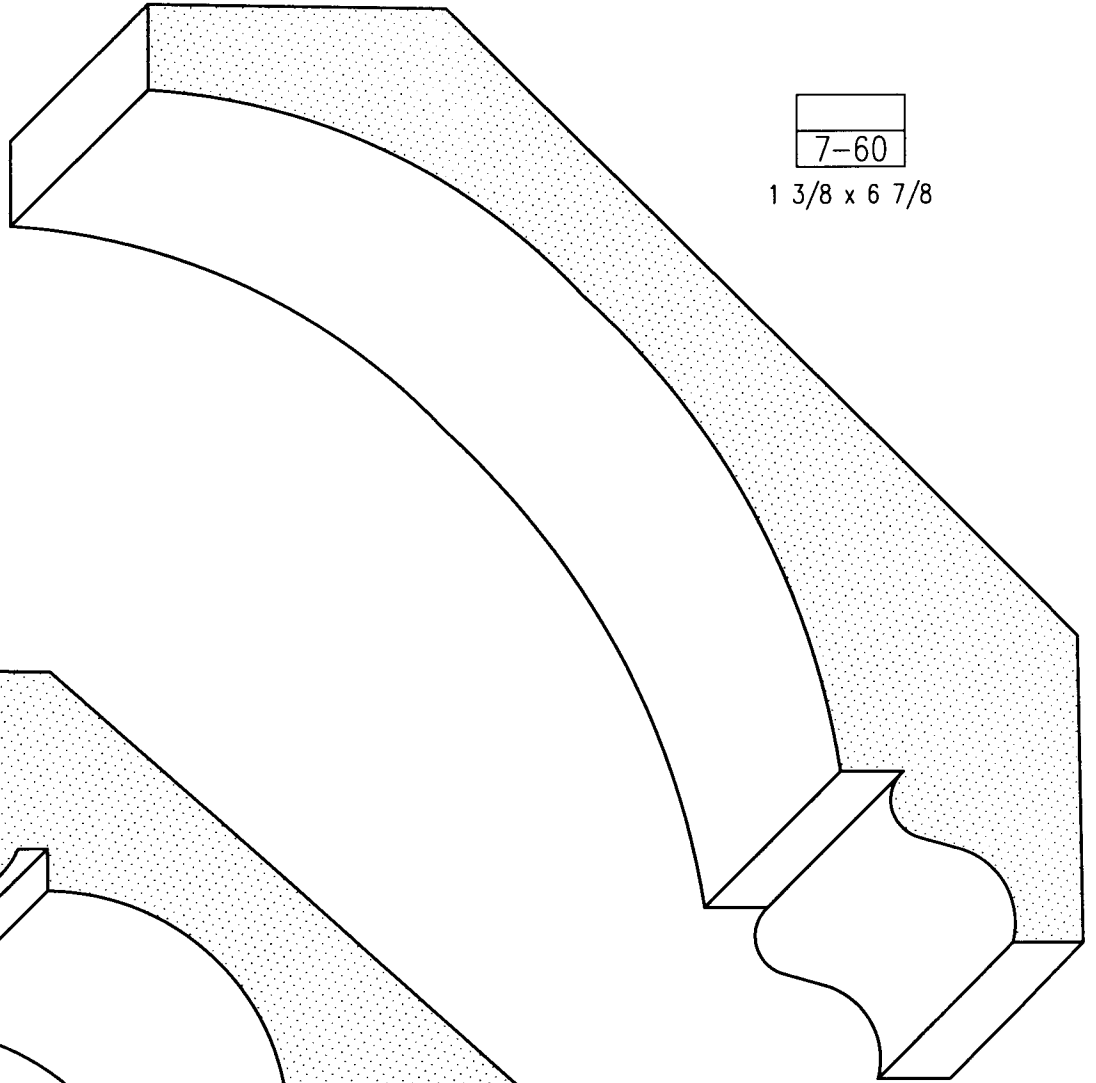
1 x 6 13/16



FULL SCALE

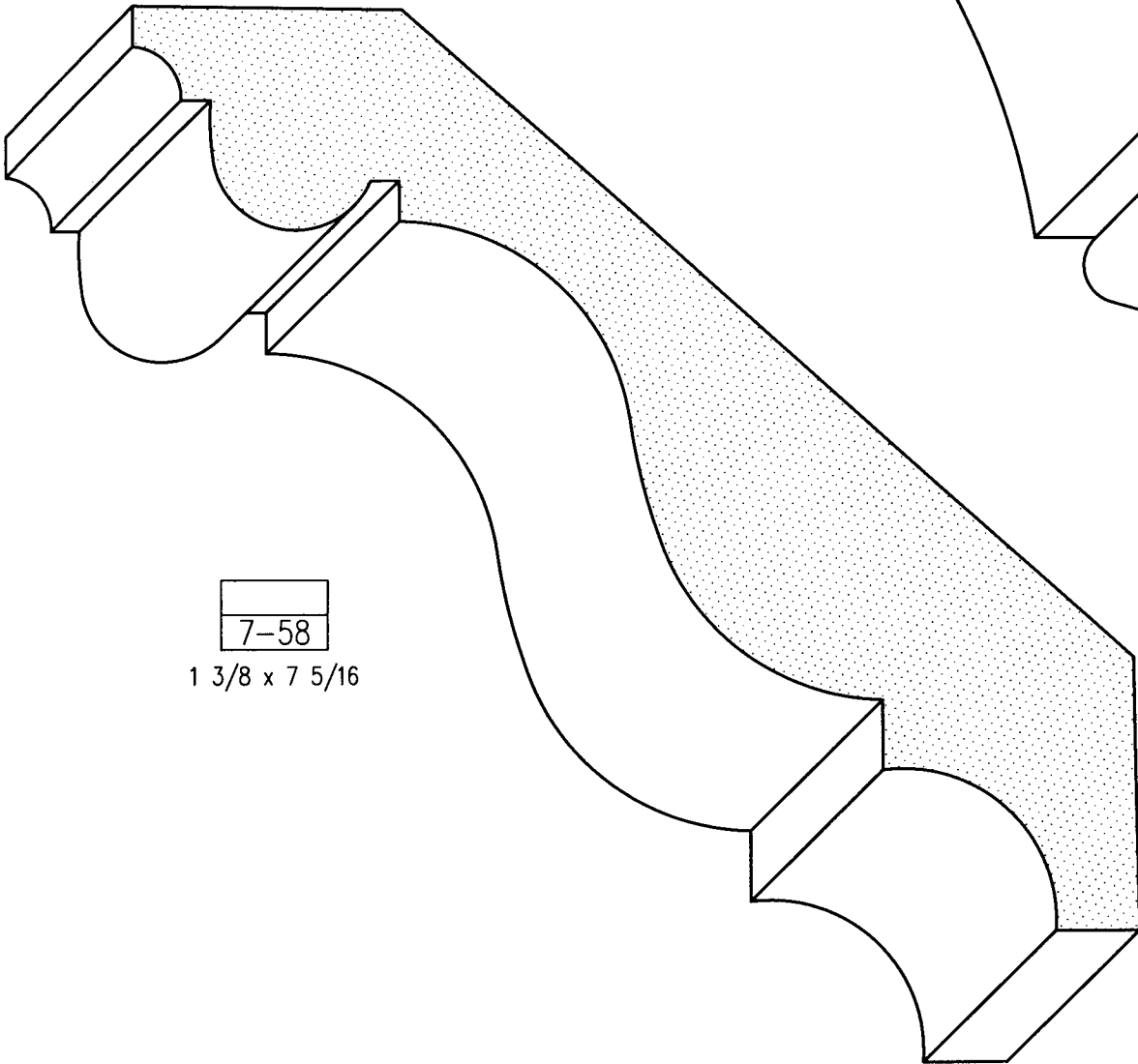
7-60

1 3/8 x 6 7/8



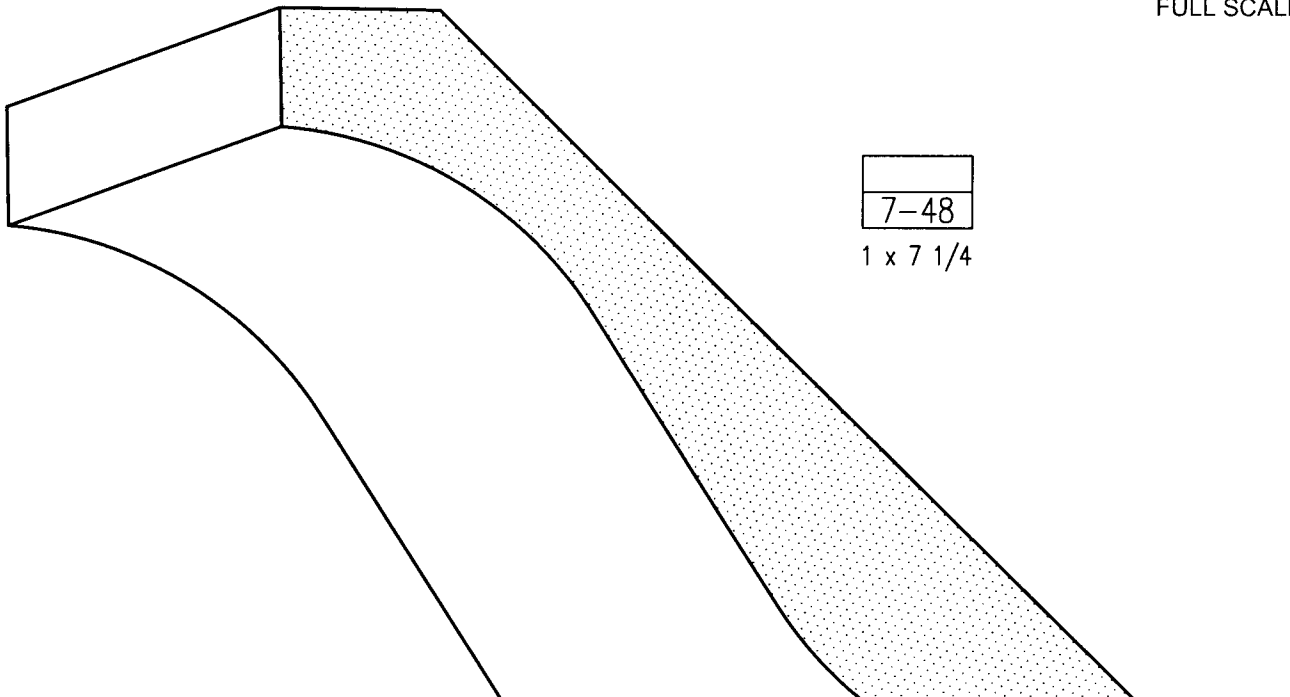
7-58

1 3/8 x 7 5/16



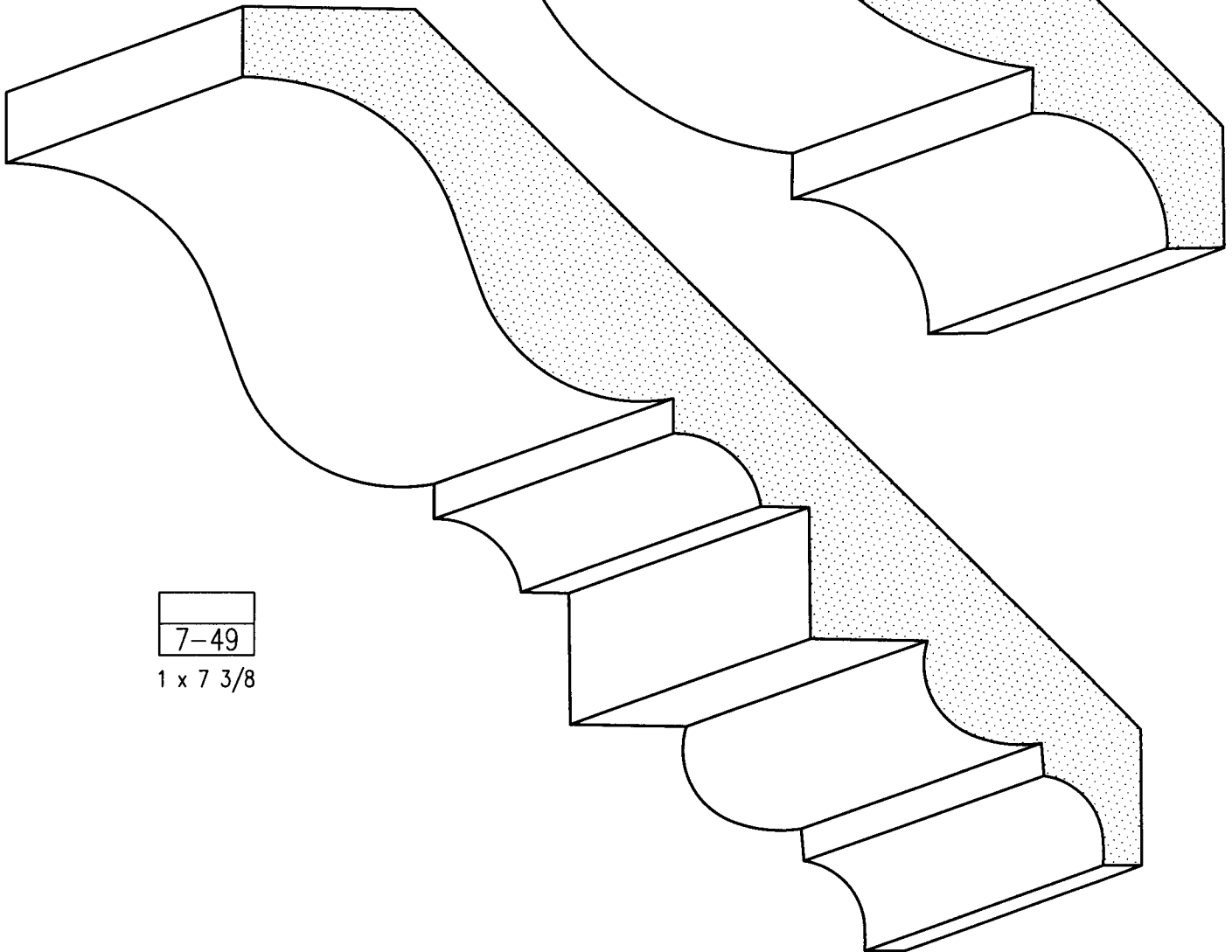
7-48

1 x 7 1/4

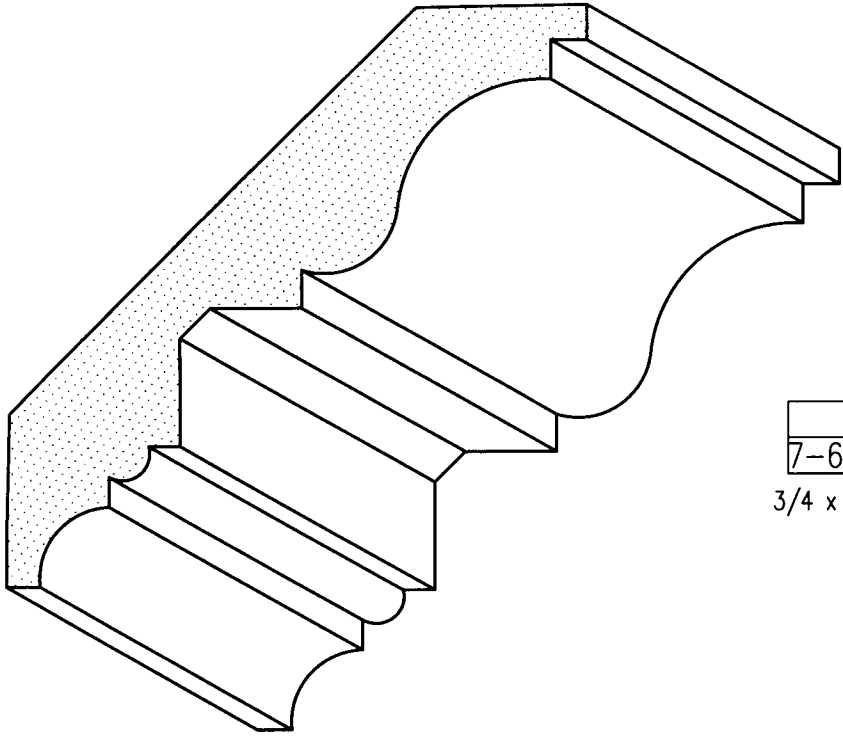


7-49

1 x 7 3/8

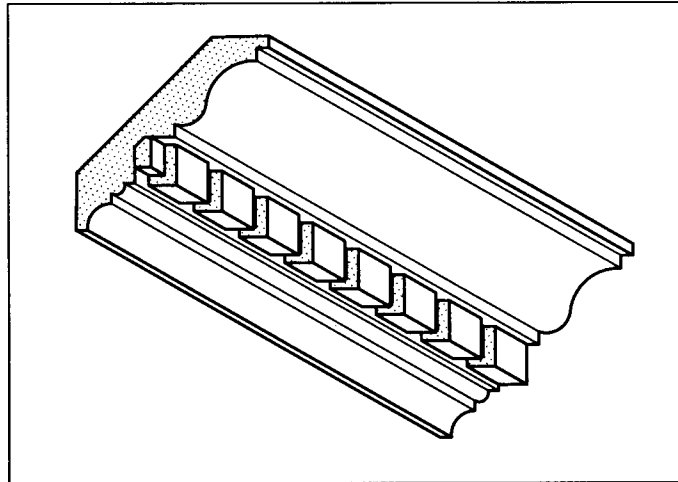


FULL SCALE

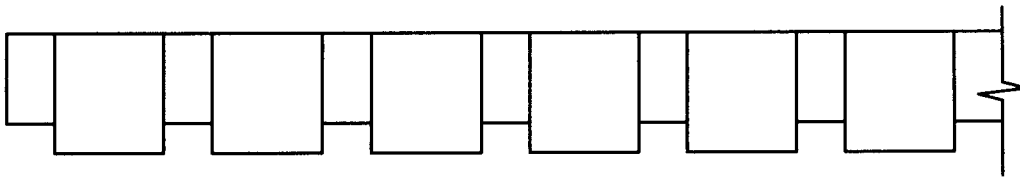


7-62DC

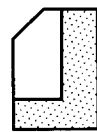
3/4 x 4 1/4



7-62DC
WITH D-1 DENTAL
(SHOWN AT 1/3 SCALE)

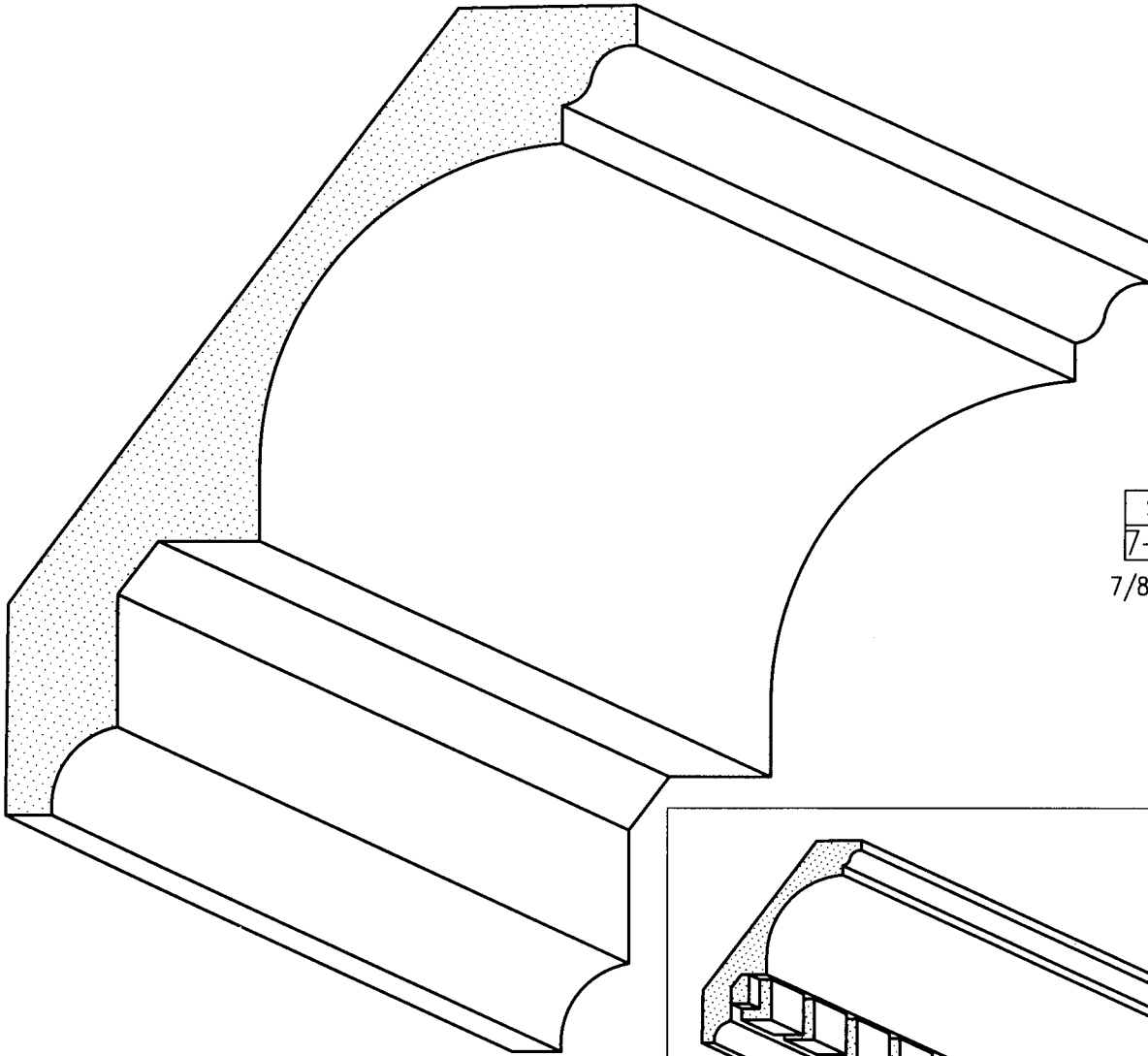


FRONT VIEW
Dental D-1

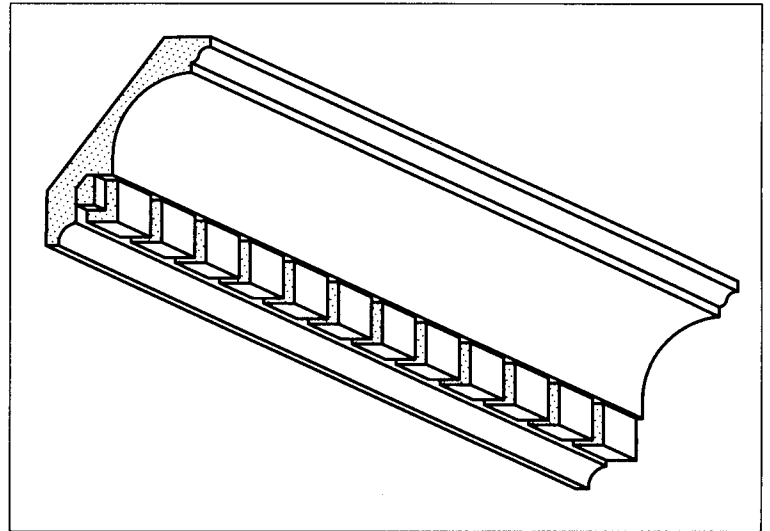


CROSS SECTION
Dental D-1

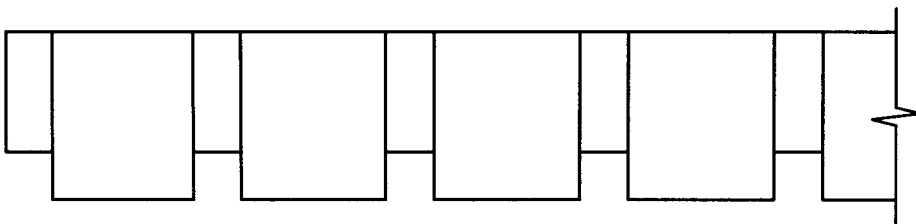
FULL SCALE



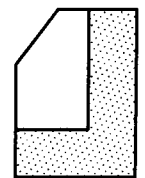
STOCK
7-66DC
7/8 x 5 1/2



7-66DC
WITH D-4 DENTAL
(SHOWN AT 1/4 SCALE)

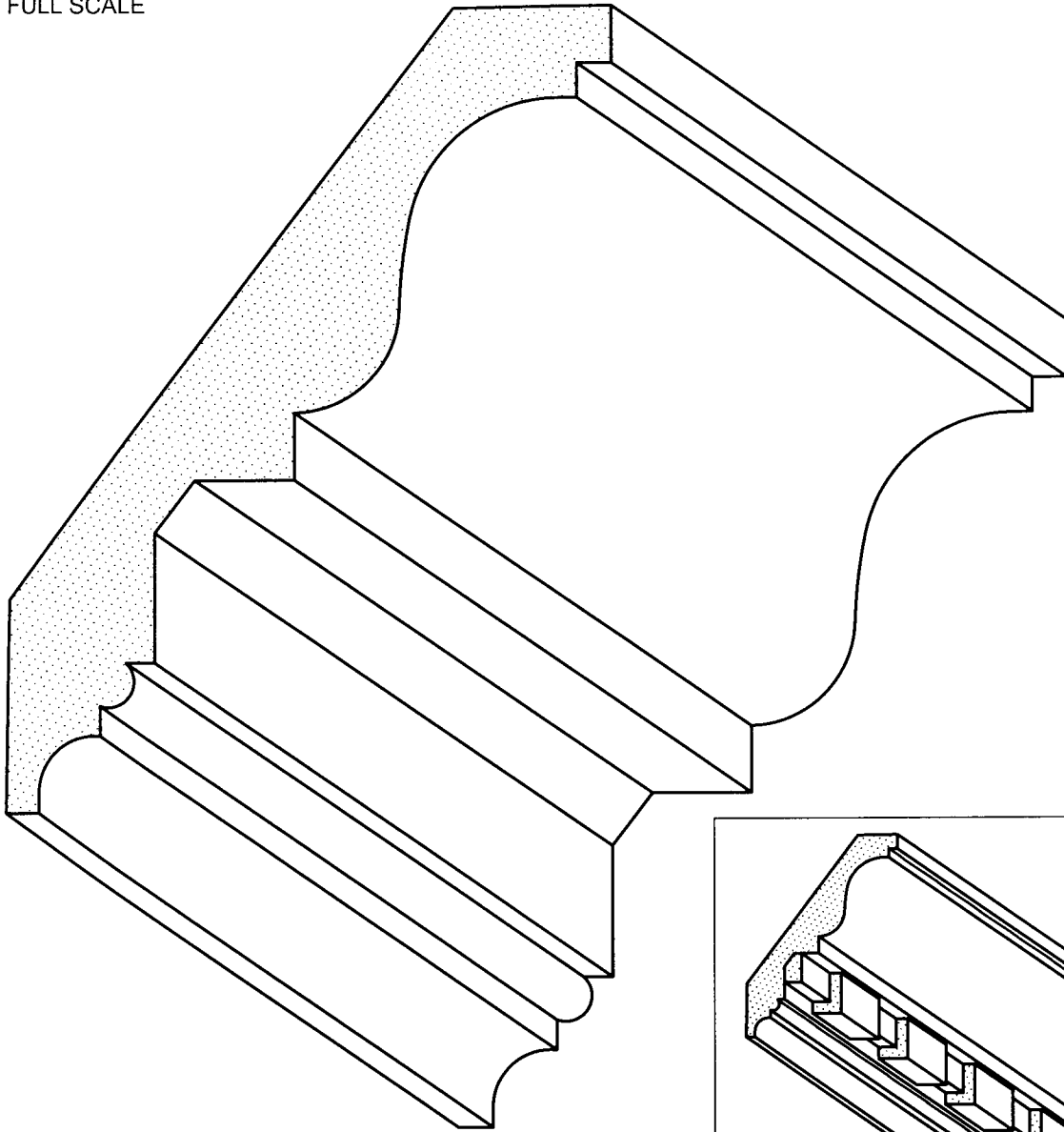


FRONT VIEW Dental D-4



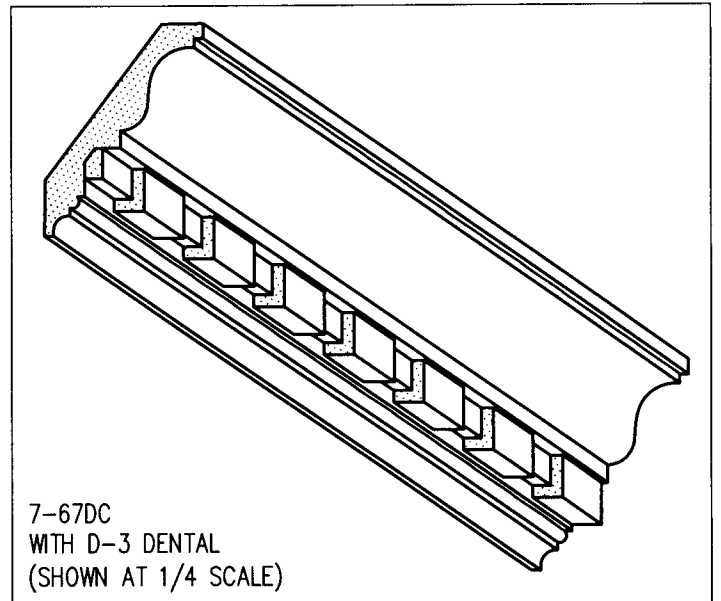
CROSS SECTION
D-4 Dental

FULL SCALE

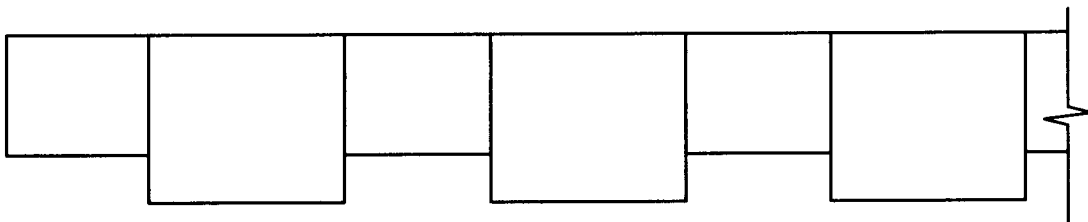


7-67DC

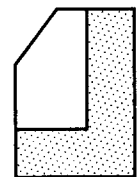
7/8 x 5 1/2



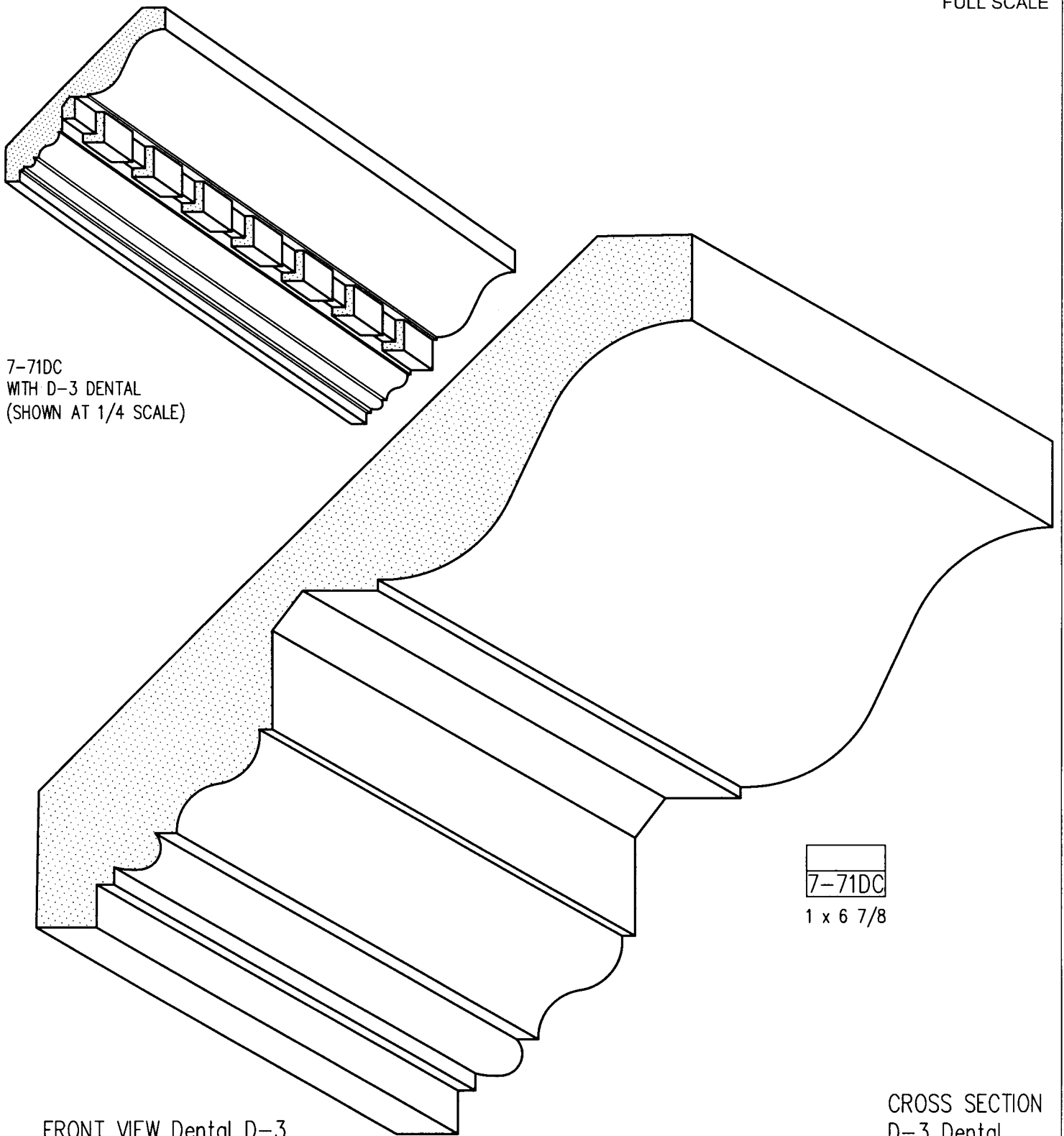
7-67DC
WITH D-3 DENTAL
(SHOWN AT 1/4 SCALE)



FRONT VIEW Dental D-3



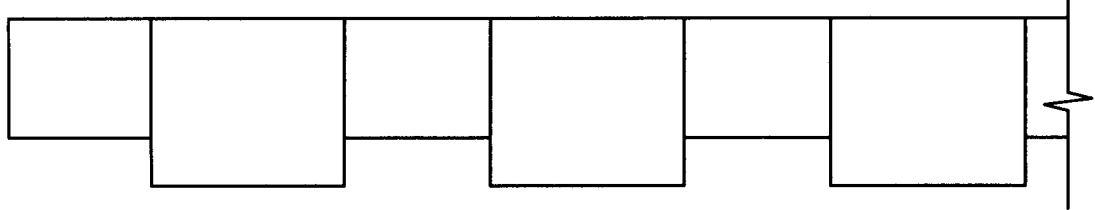
CROSS SECTION
D-3 Dental



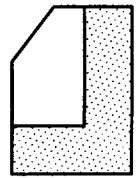
7-71DC
WITH D-3 DENTAL
(SHOWN AT 1/4 SCALE)

7-71DC
1 x 6 7/8

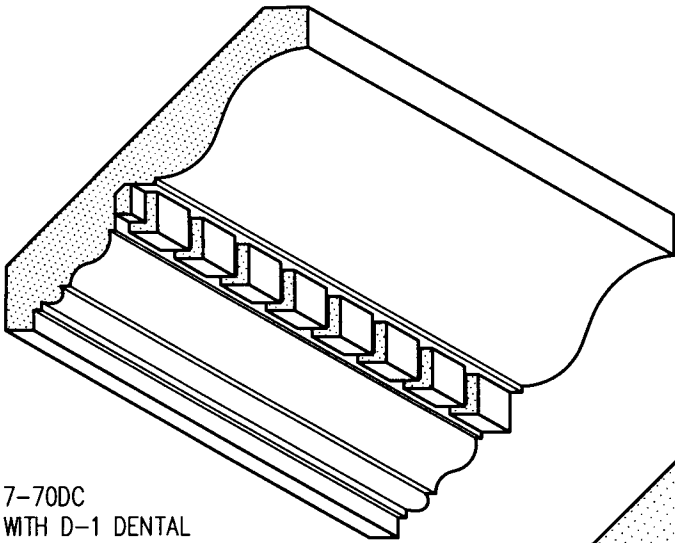
FRONT VIEW Dental D-3



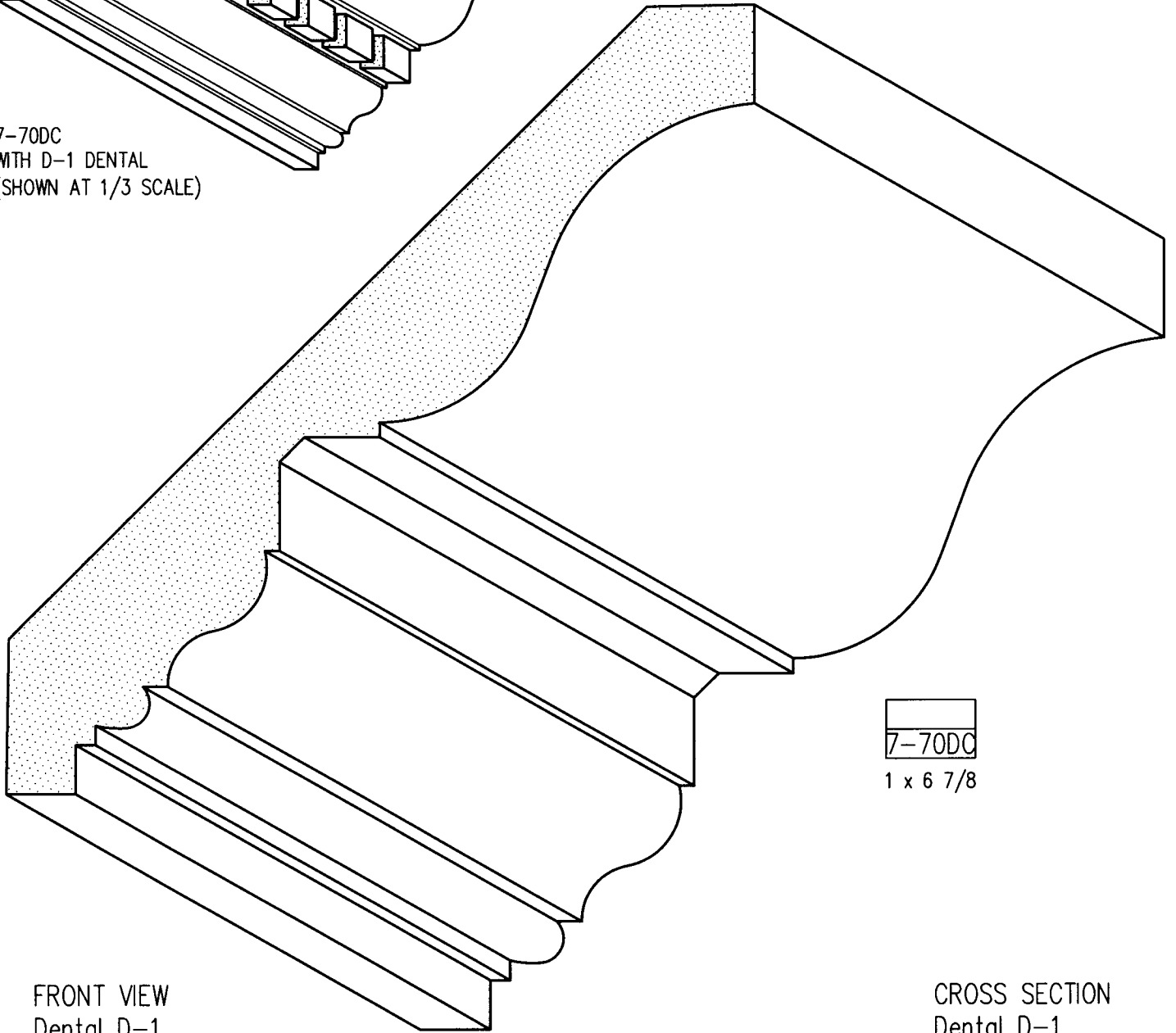
CROSS SECTION
D-3 Dental



FULL SCALE



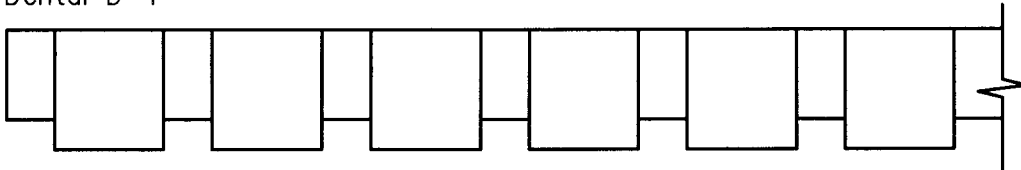
7-70DC
WITH D-1 DENTAL
(SHOWN AT 1/3 SCALE)



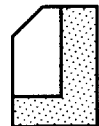
7-70DC

1 x 6 7/8

FRONT VIEW
Dental D-1



CROSS SECTION
Dental D-1

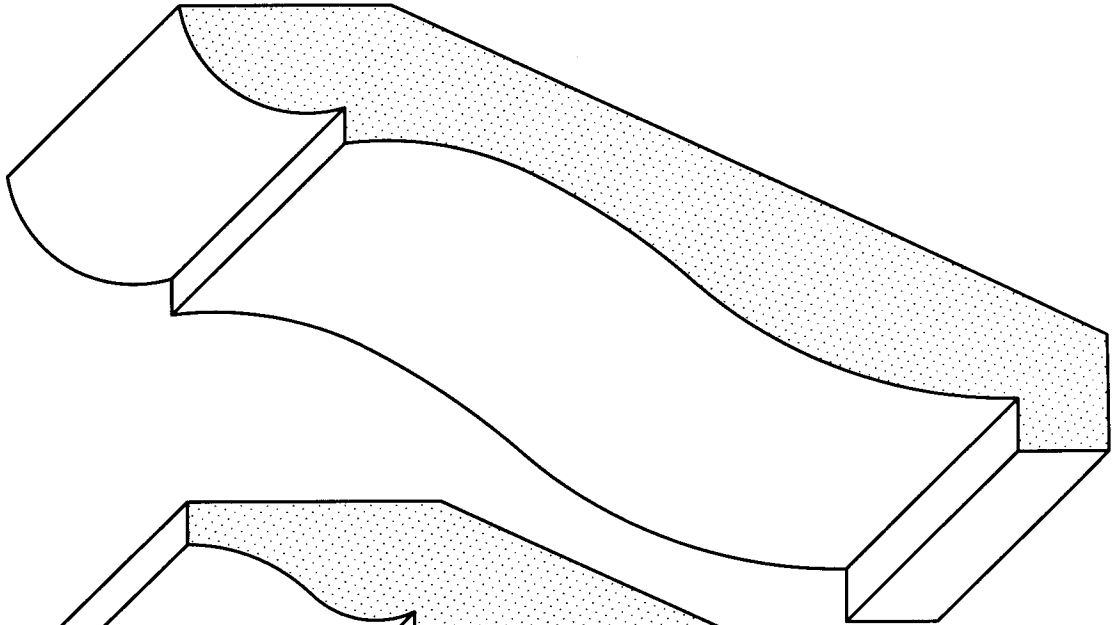


RUN TO ORDER WOOD MOLDINGS

FULL SCALE

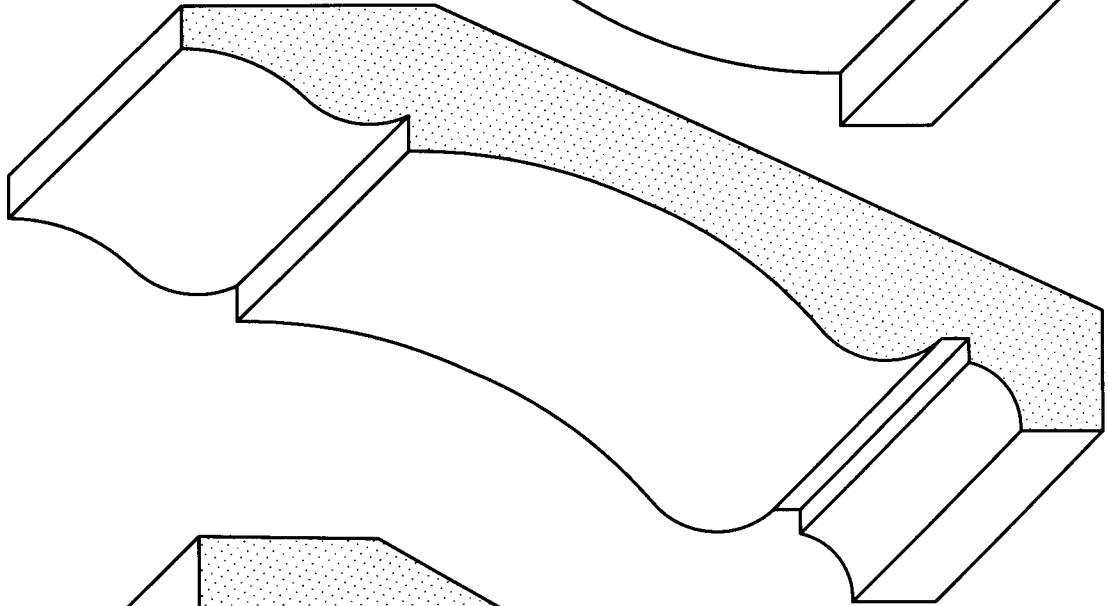
RUN TO ORDER
7-45

$3/4 \times 5 \ 5/16$



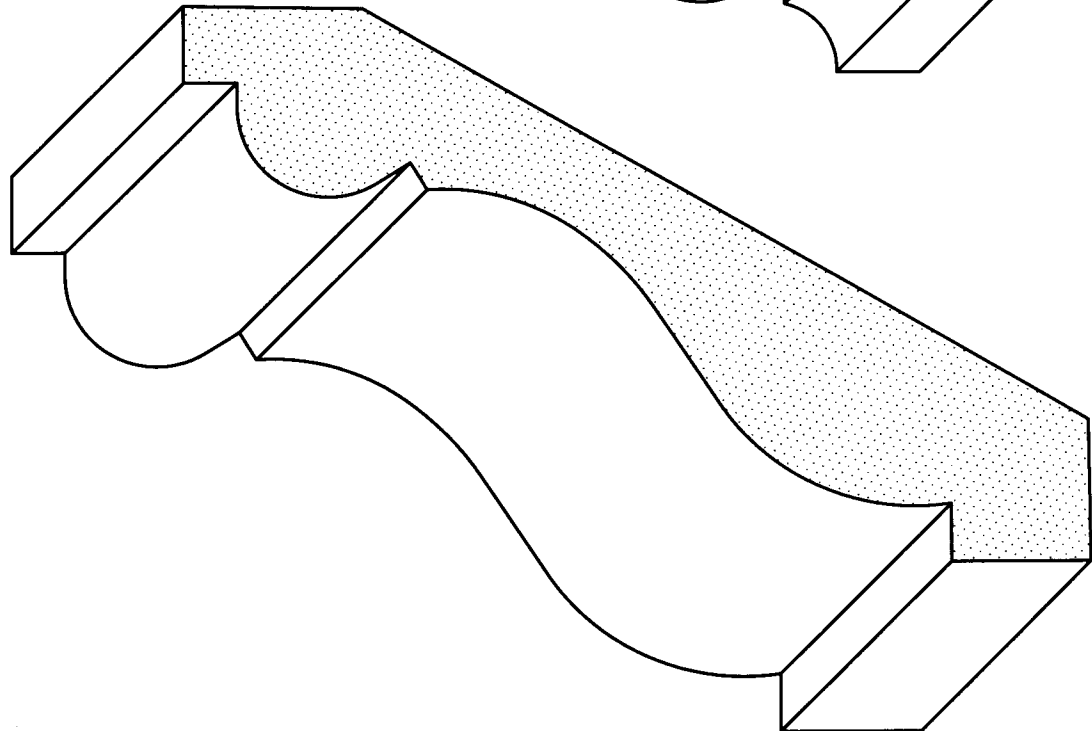
RUN TO ORDER
7-46

$3/4 \times 5 \ 1/4$

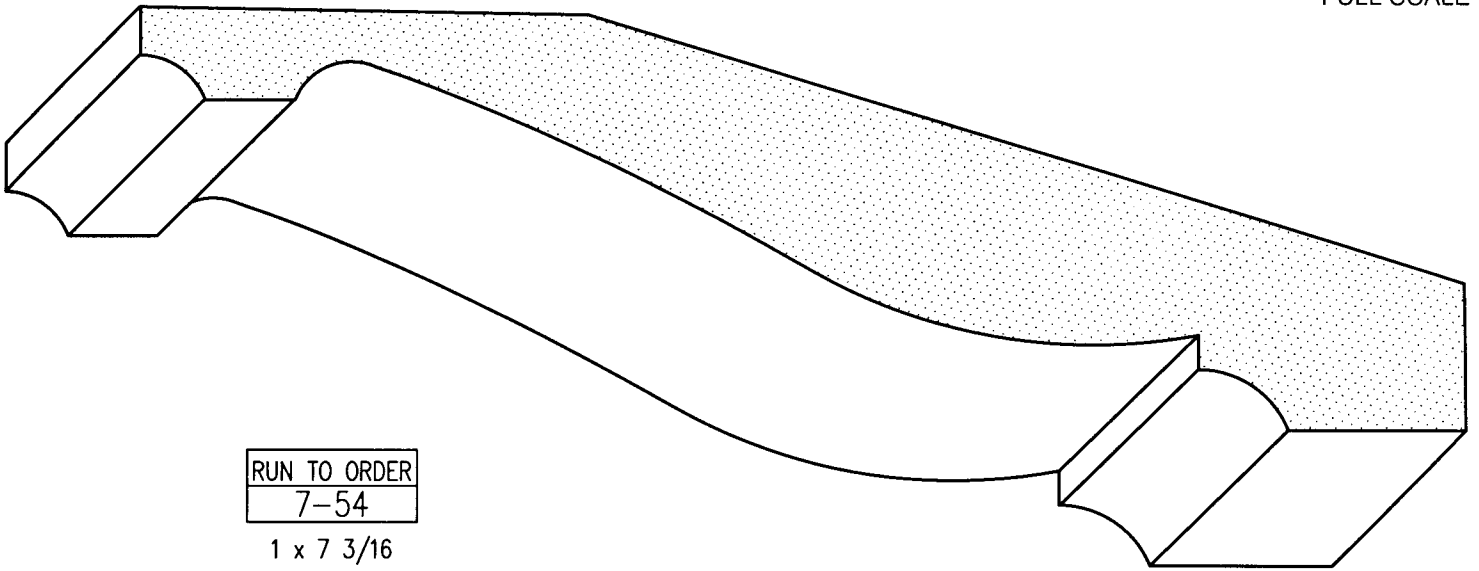


RUN TO ORDER
7-51

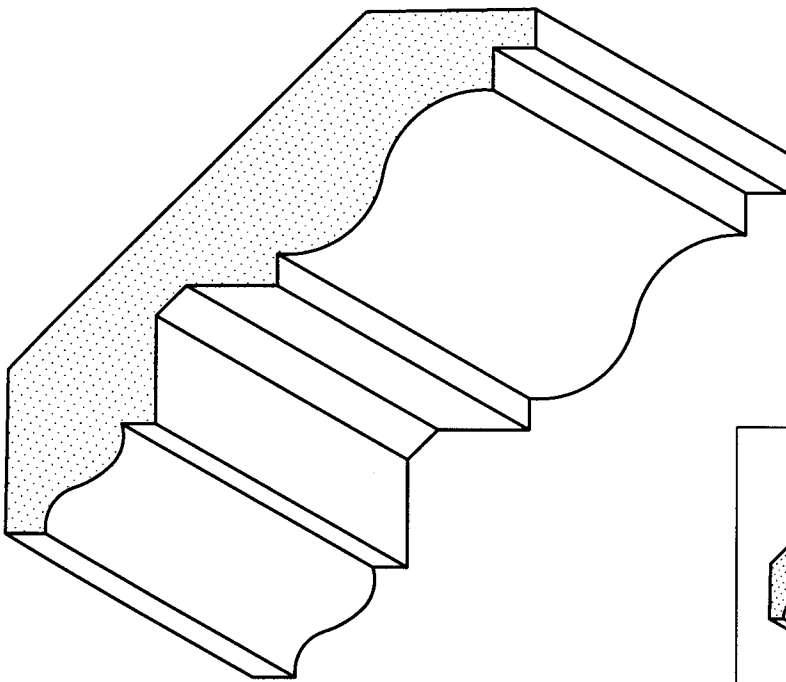
$1 \times 5 \ 1/2$



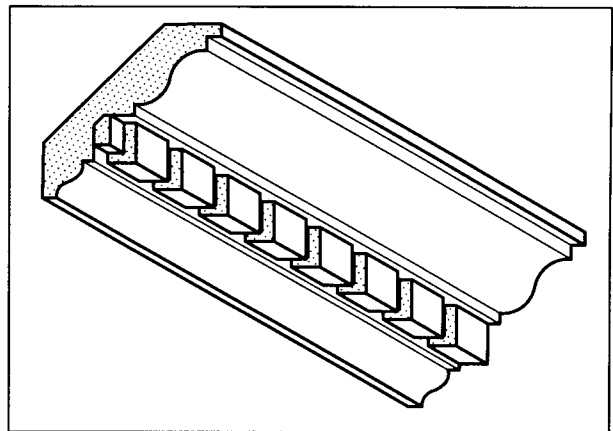
FULL SCALE



RUN TO ORDER
7-54
1 x 7 3/16



RUN TO ORDER
7-61DC
3/4 x 3 7/8



7-61DC
WITH D-1 DENTAL
(SHOWN AT 1/3 SCALE)