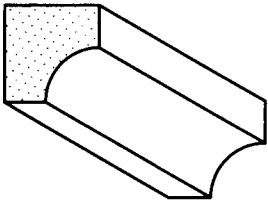
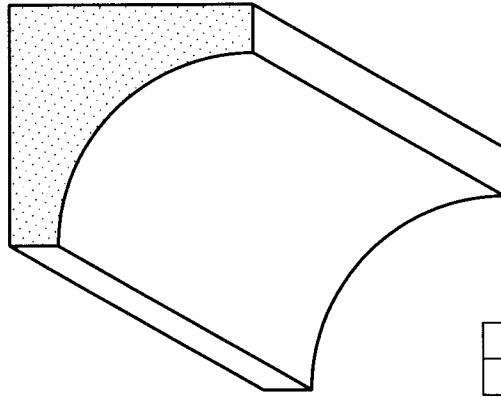


FULL SCALE



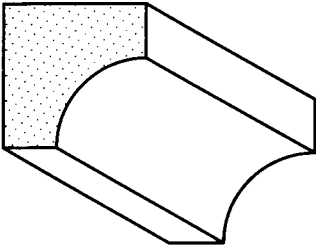
3-3

1/2 x 1/2



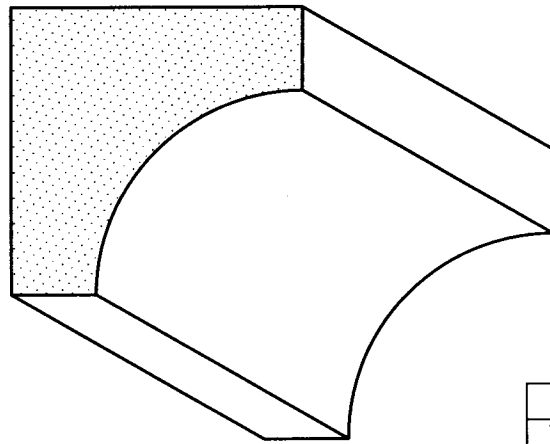
3-12

1 1/4 x 1 1/4



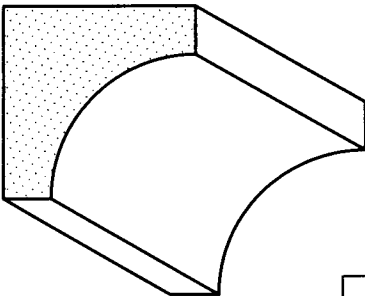
3-1

3/4 x 3/4



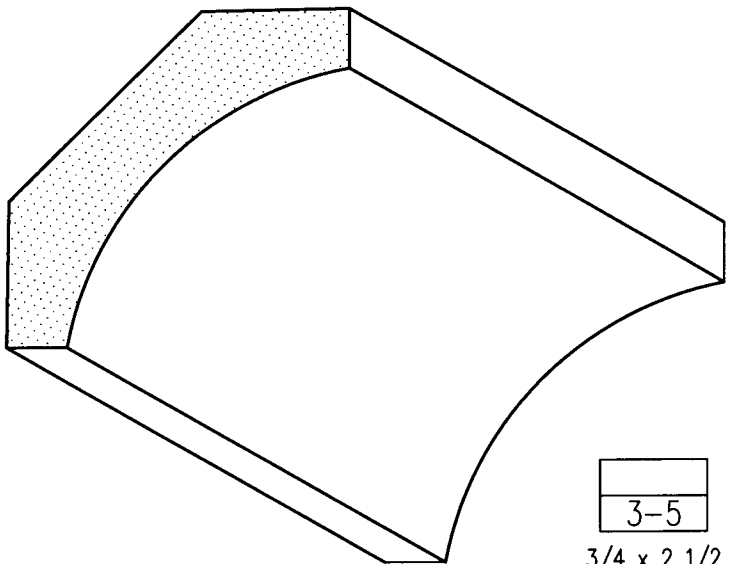
3-13

1 1/2 x 1 1/2



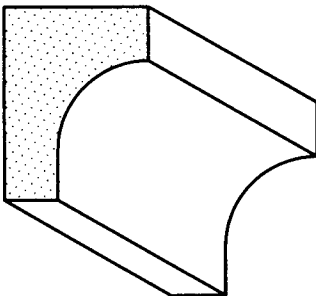
3-11

1 x 1



3-5

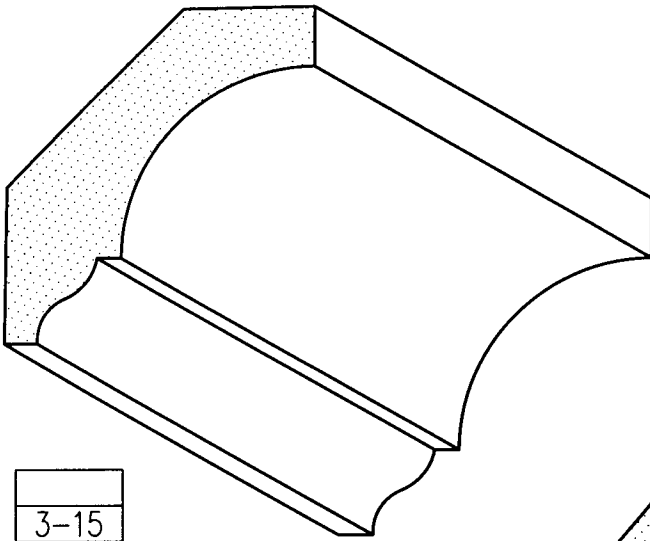
3/4 x 2 1/2



3-2

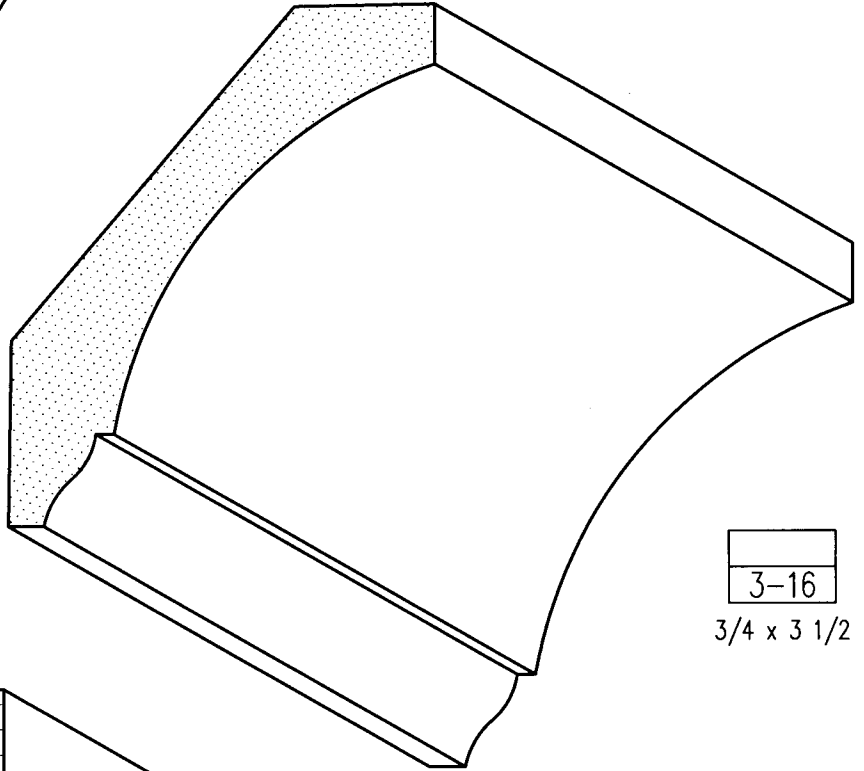
3/4 x 1

FULL SCALE



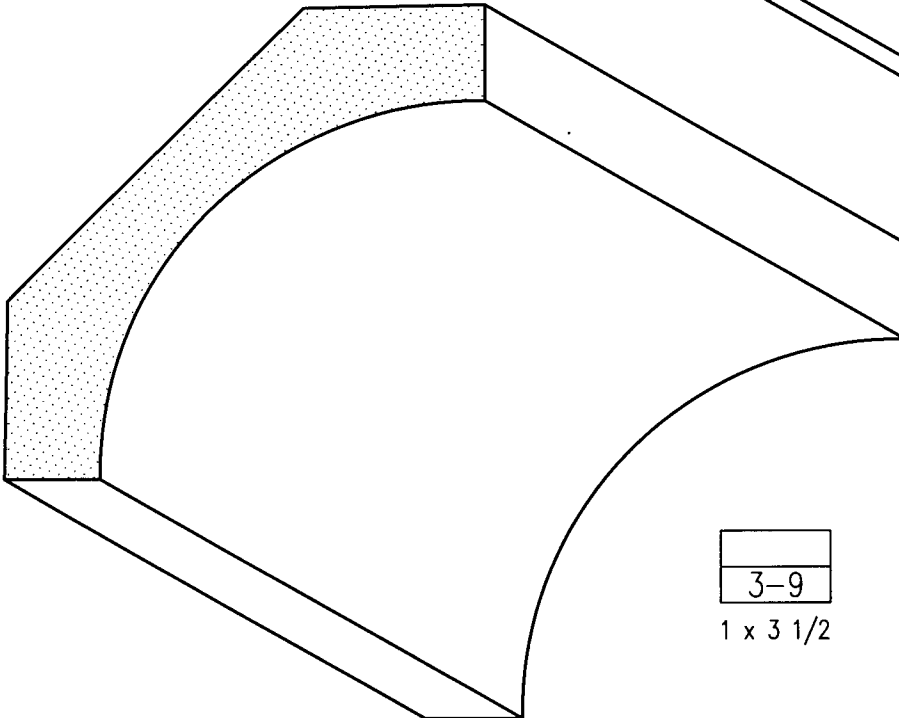
3-15

$11/16 \times 2 \ 3/8$



3-16

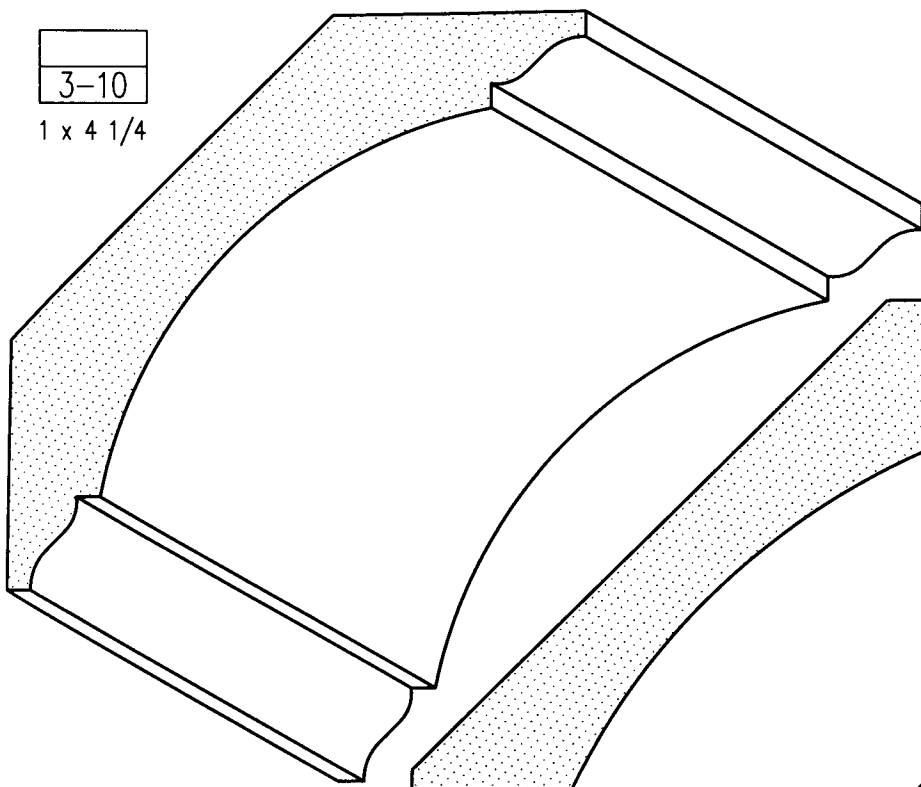
$3/4 \times 3 \ 1/2$



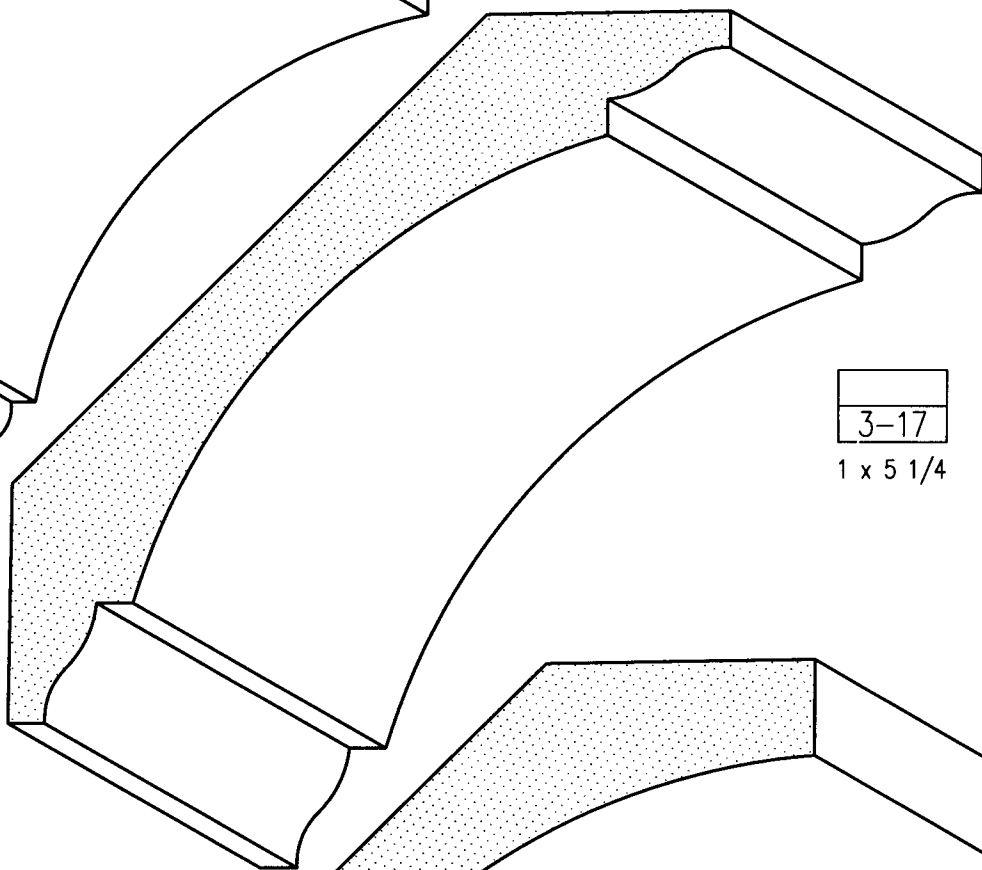
3-9

$1 \times 3 \ 1/2$

3-10
1 x 4 1/4



3-17
1 x 5 1/4



3-14
1 5/16 x 5 1/4

