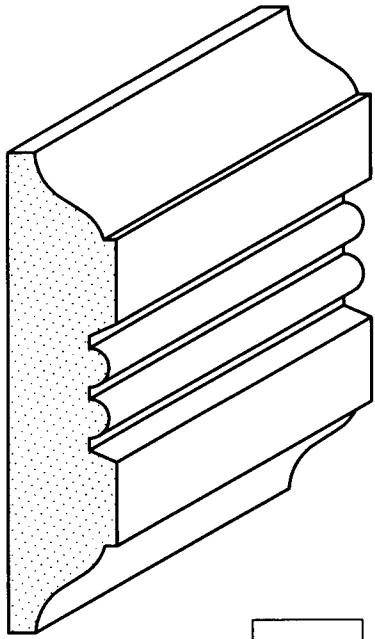


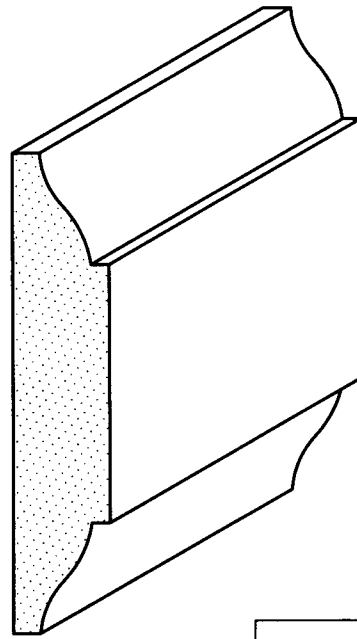
WOOD MOLDINGS

FULL SCALE



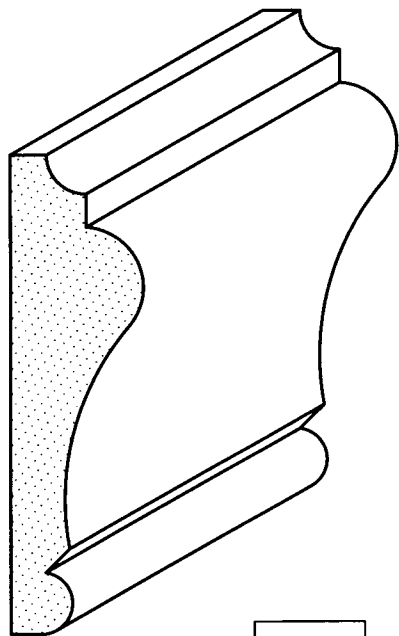
30-12

$9/16 \times 2 \frac{1}{2}$



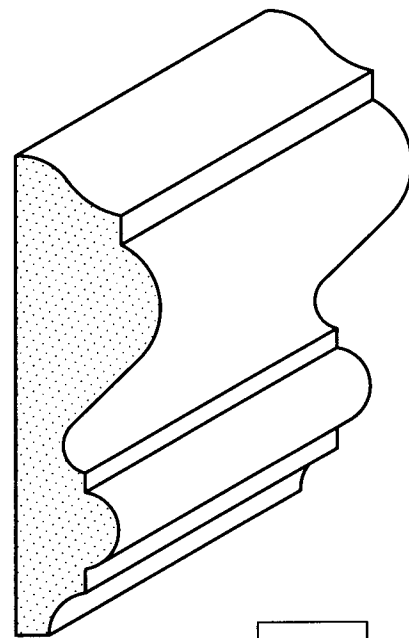
30-14

$1/2 \times 2 \frac{1}{2}$



30-11

$11/16 \times 2 \frac{1}{2}$



1-6

$3/4 \times 2 \frac{1}{2}$

