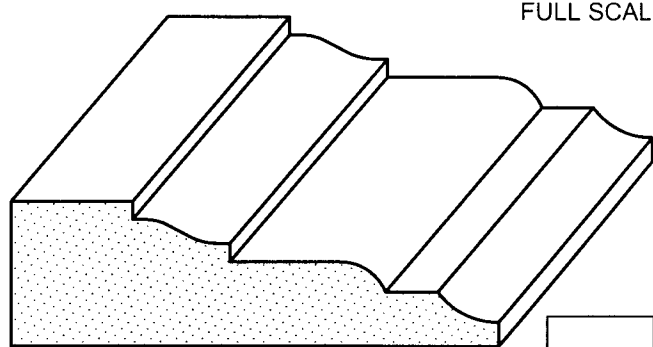


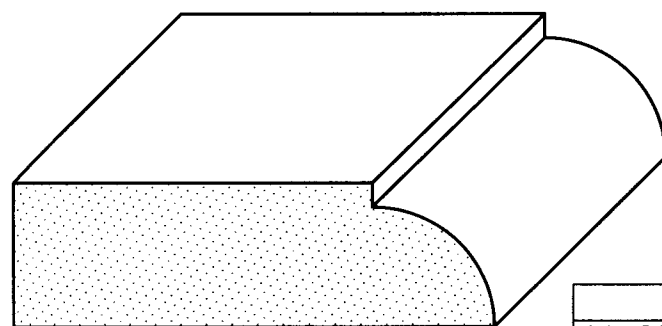
14-56

3/4 x 2 1/2



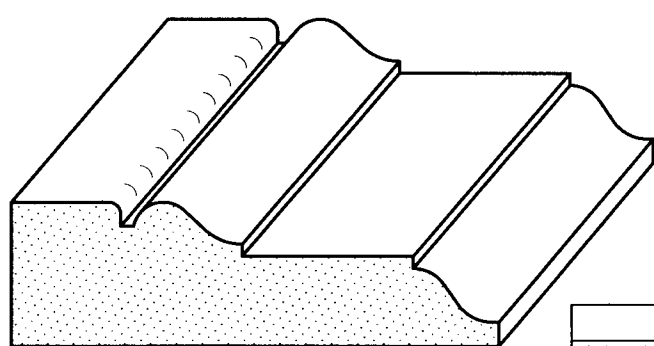
14-10

3/4 x 2 1/2



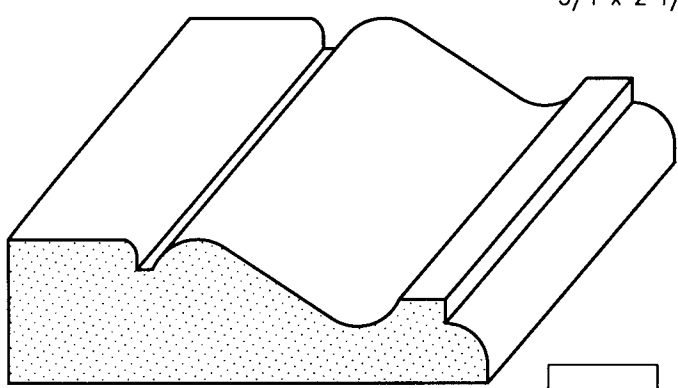
14-26

3/4 x 2 1/2



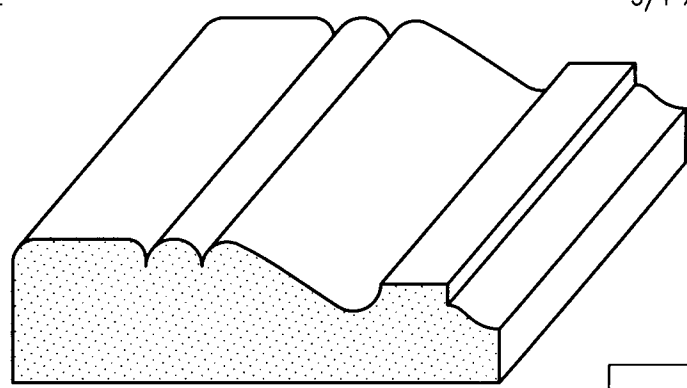
14-40

3/4 x 2 1/2



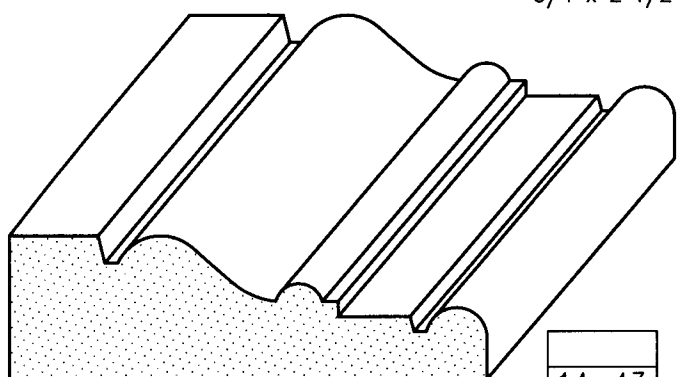
14-42

3/4 x 2 1/2



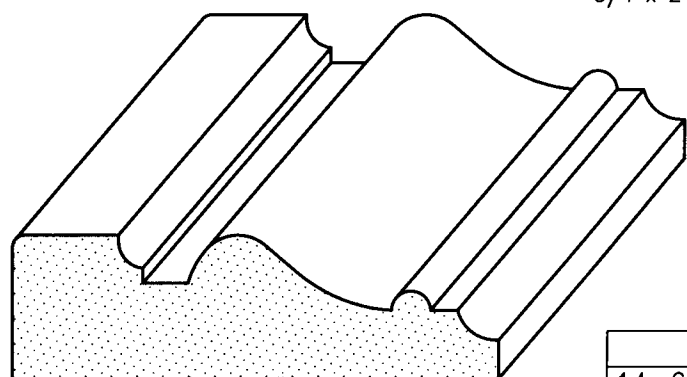
14-67

3/4 x 2 1/2



14-43

3/4 x 2 1/2



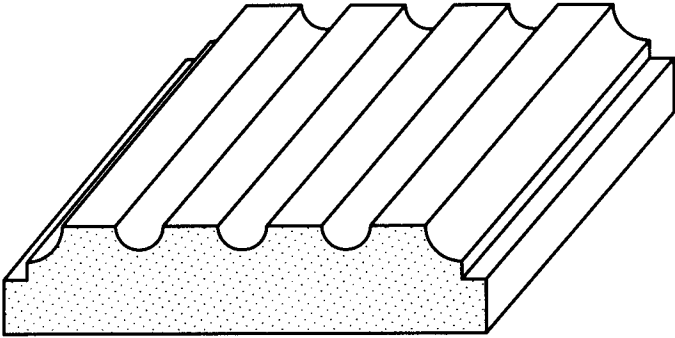
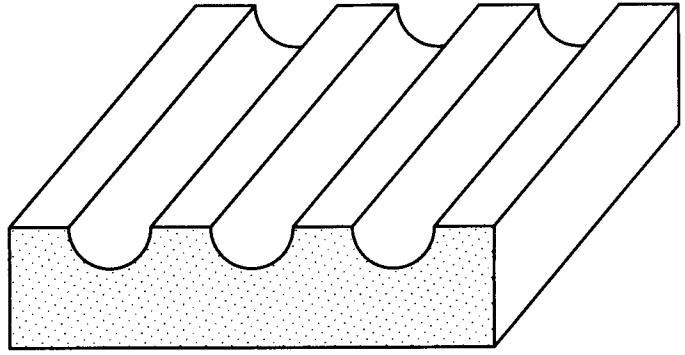
14-65

3/4 x 2 1/2

FULL SCALE

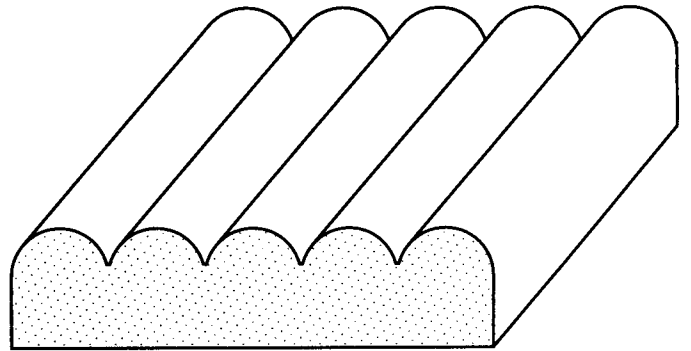
40-7

$5/8 \times 2 \frac{1}{2}$



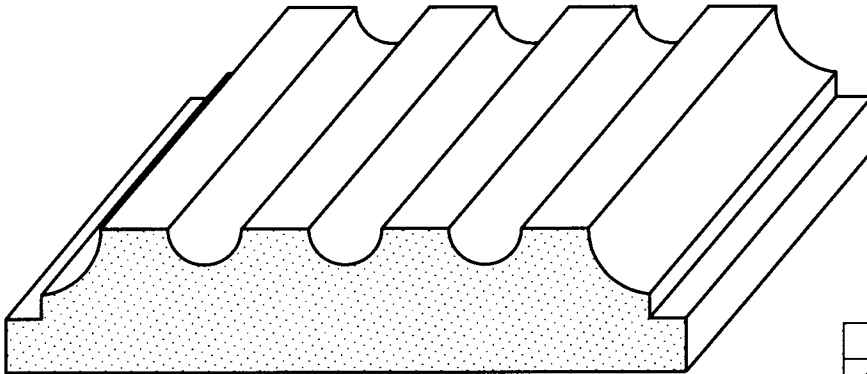
40-1

$9/16 \times 2 \frac{1}{2}$



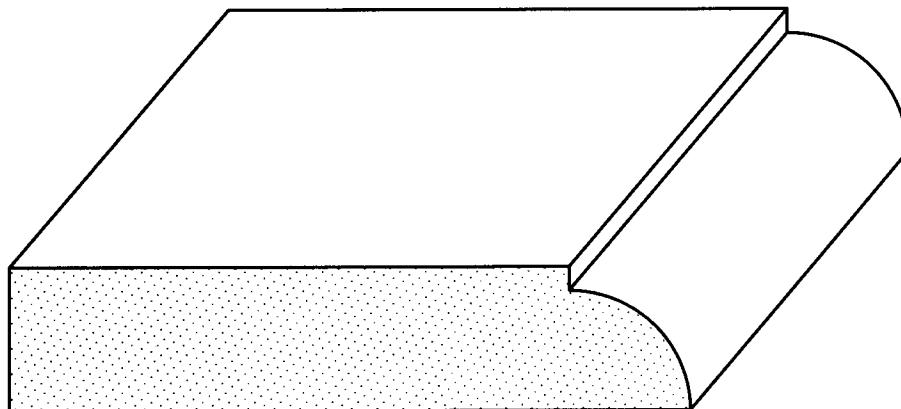
14-31

$5/8 \times 2 \frac{1}{2}$



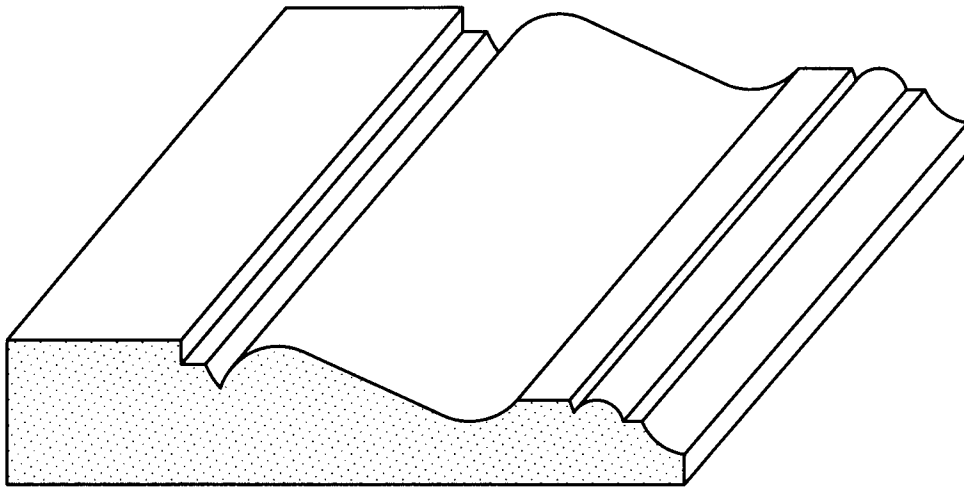
40-2

$3/4 \times 3 \frac{1}{2}$



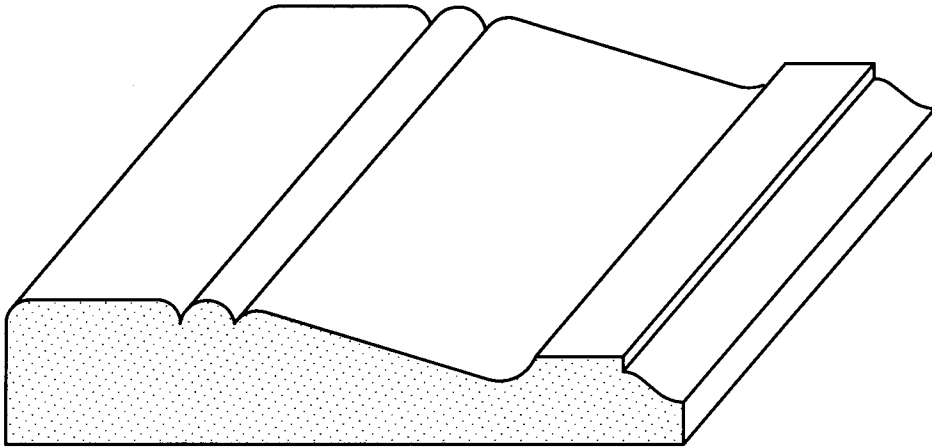
14-15

$3/4 \times 3 \frac{1}{2}$



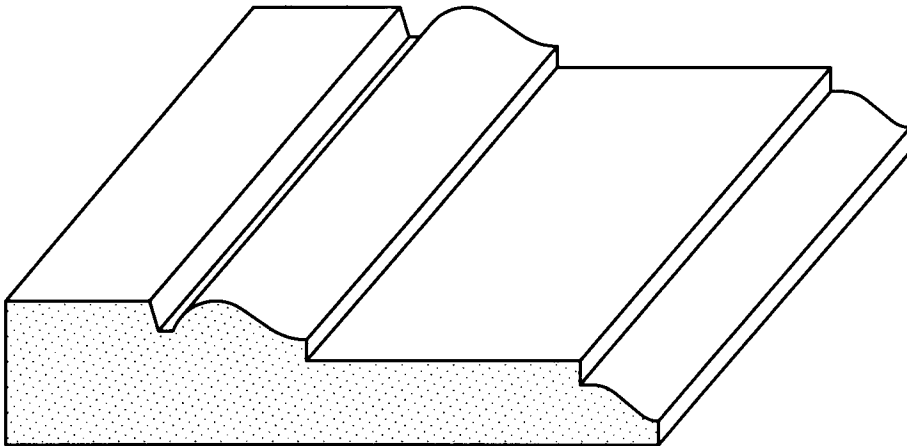
14-47

3/4 x 3 1/2



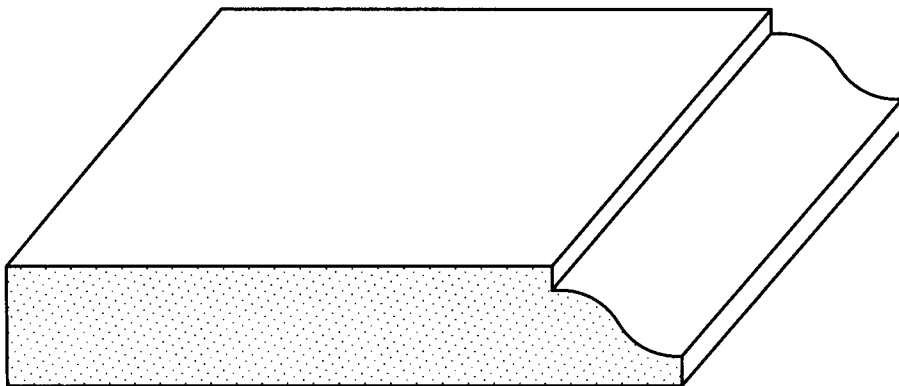
14-68

3/4 x 3 1/2



14-45

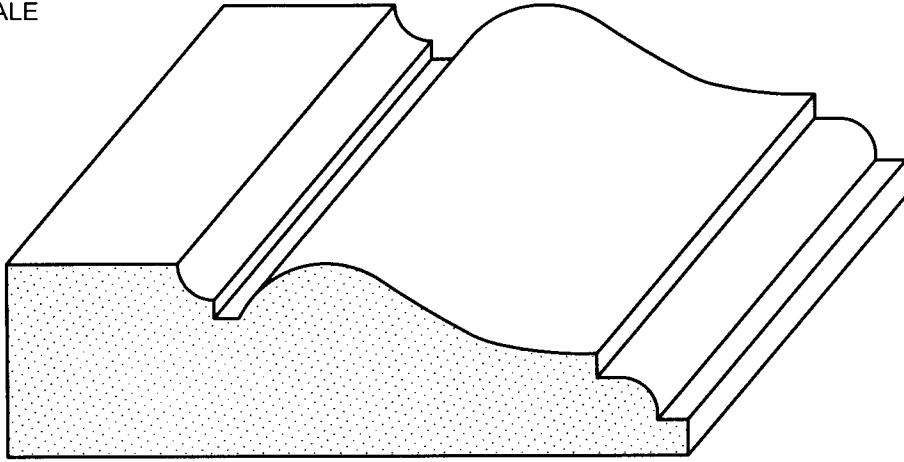
3/4 x 3 1/2



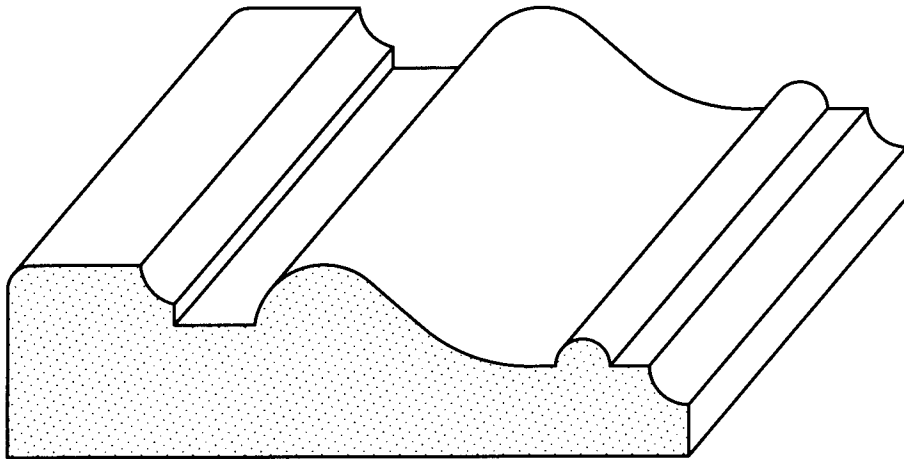
20-38

5/8 x 3 1/2

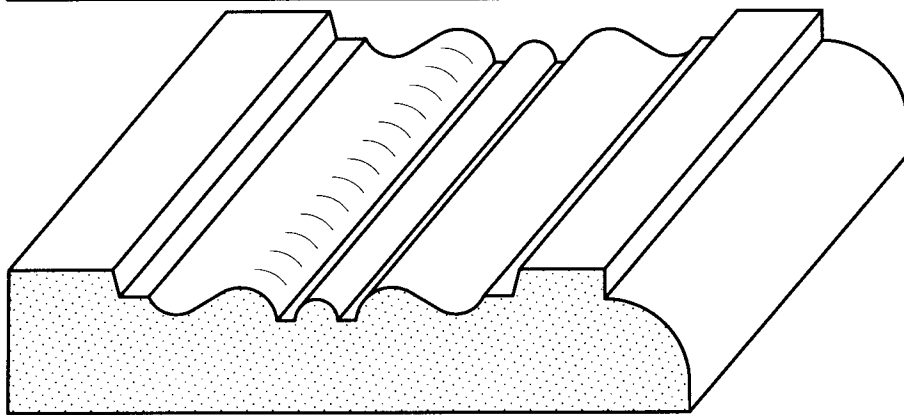
FULL SCALE



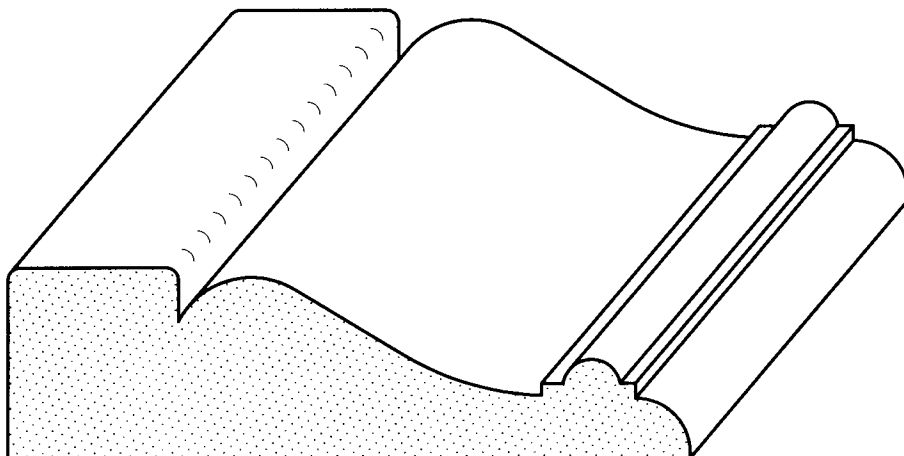
14-49
1 x 3 1/2



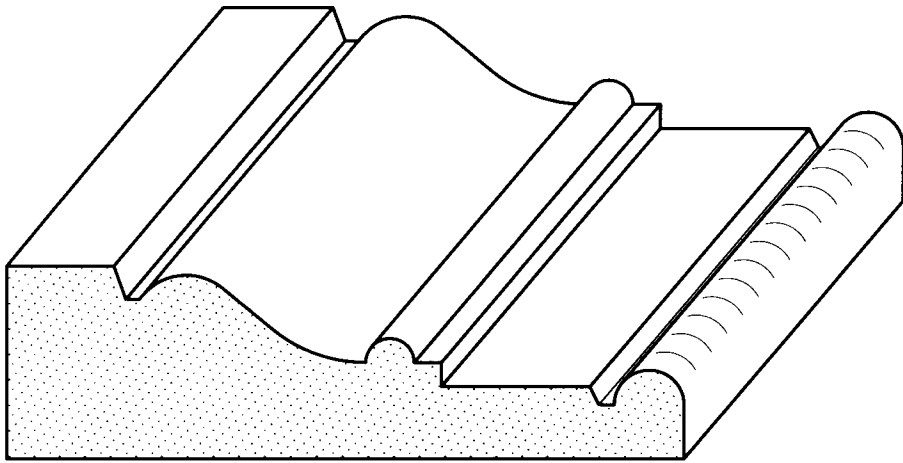
14-66
1 x 3 1/2



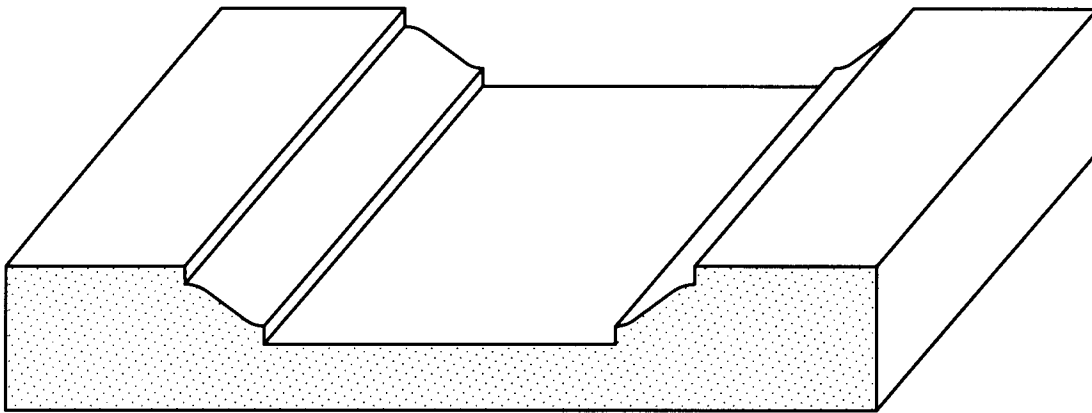
14-27
3/4 x 3 1/2



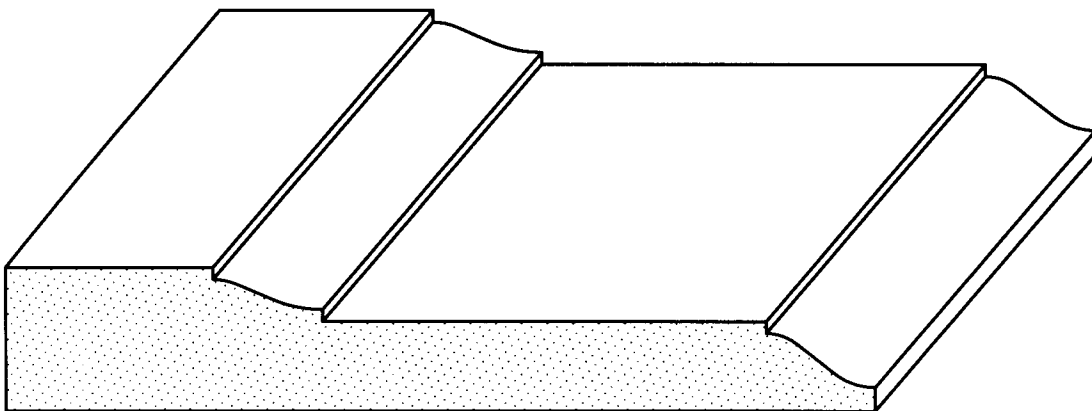
14-69
1 x 3 1/2



14-51
1 X 3 1/2



14-59
3/4 X 4 1/2

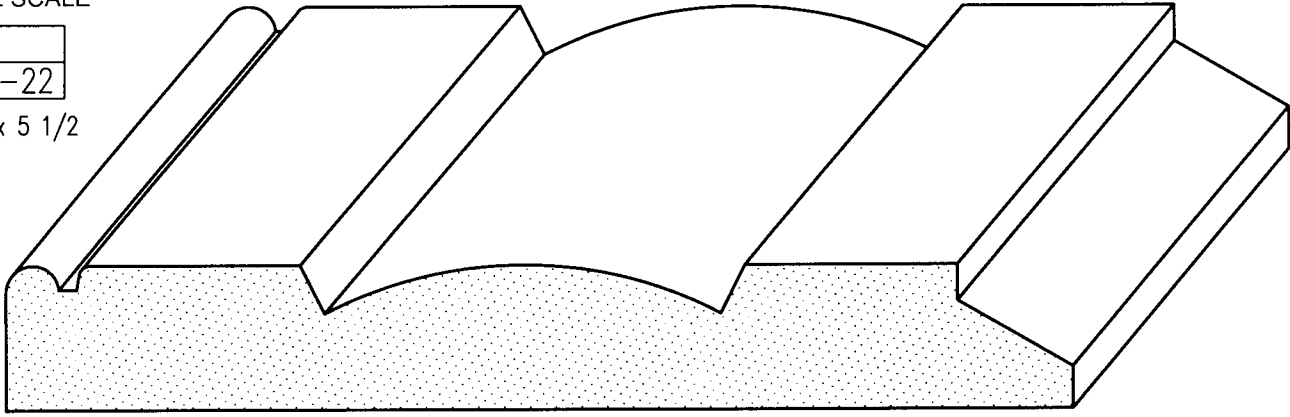


14-60
3/4 X 4 1/2

FULL SCALE

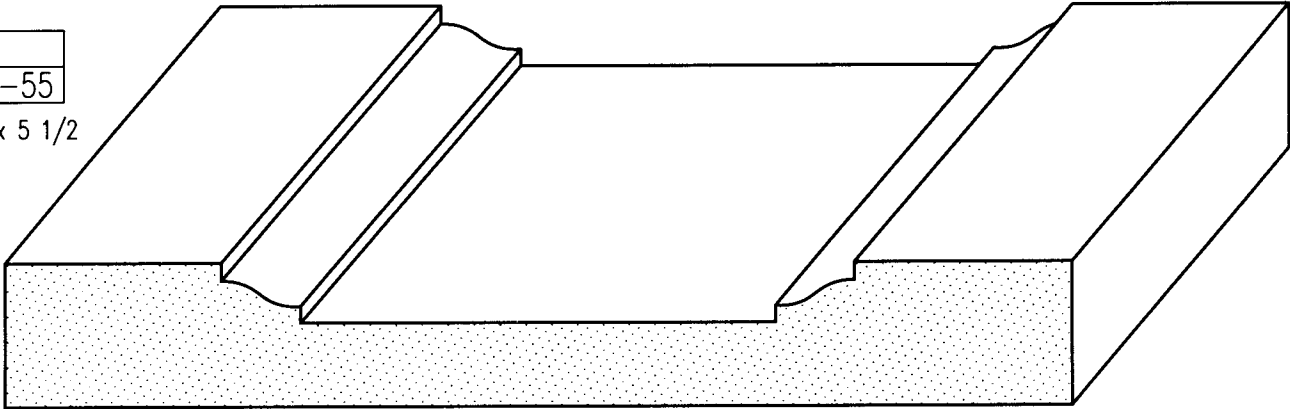
14-22

3/4 x 5 1/2



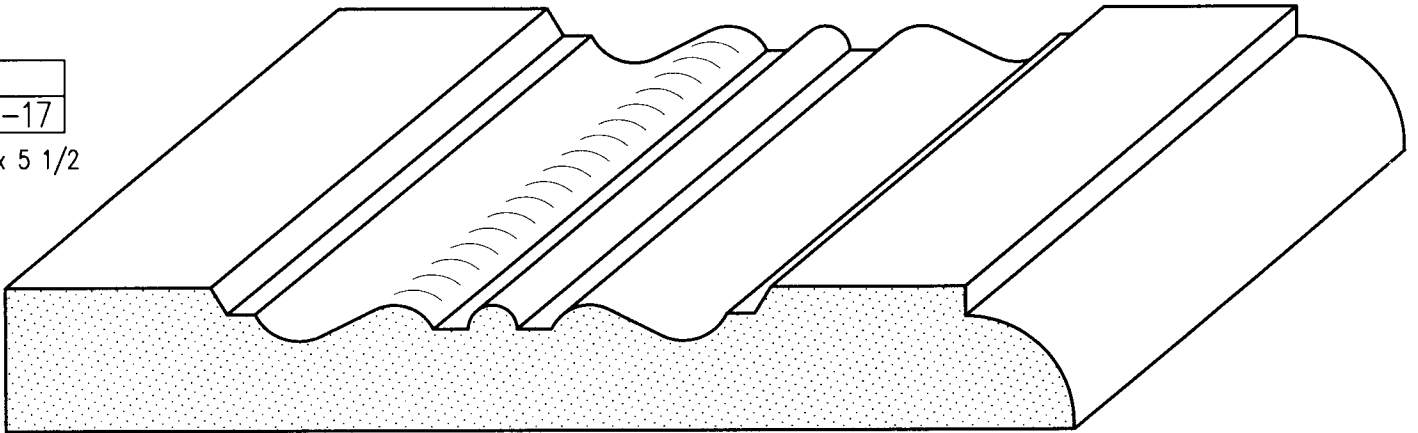
14-55

3/4 x 5 1/2



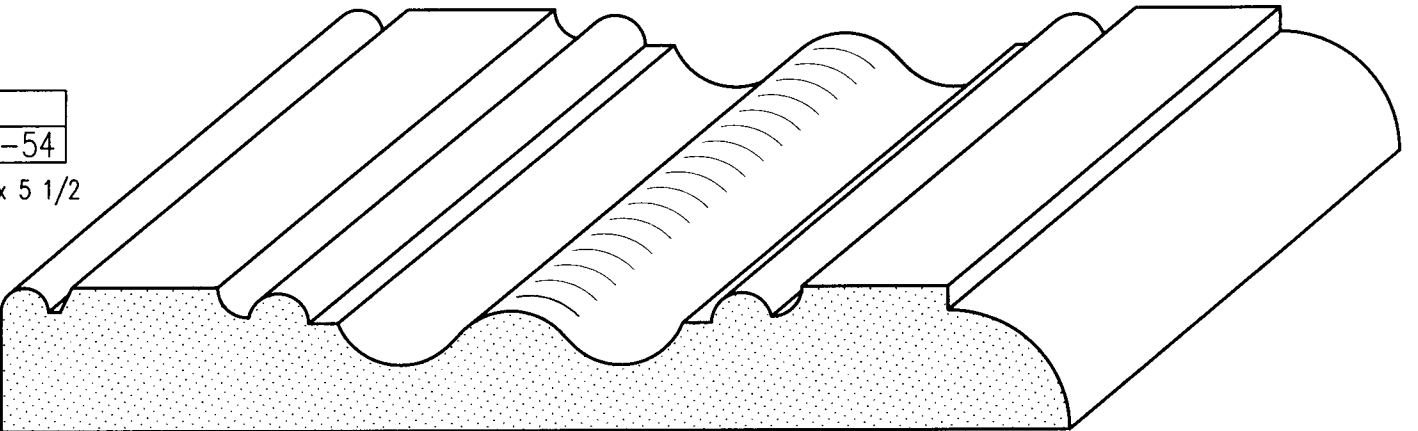
14-17

3/4 x 5 1/2



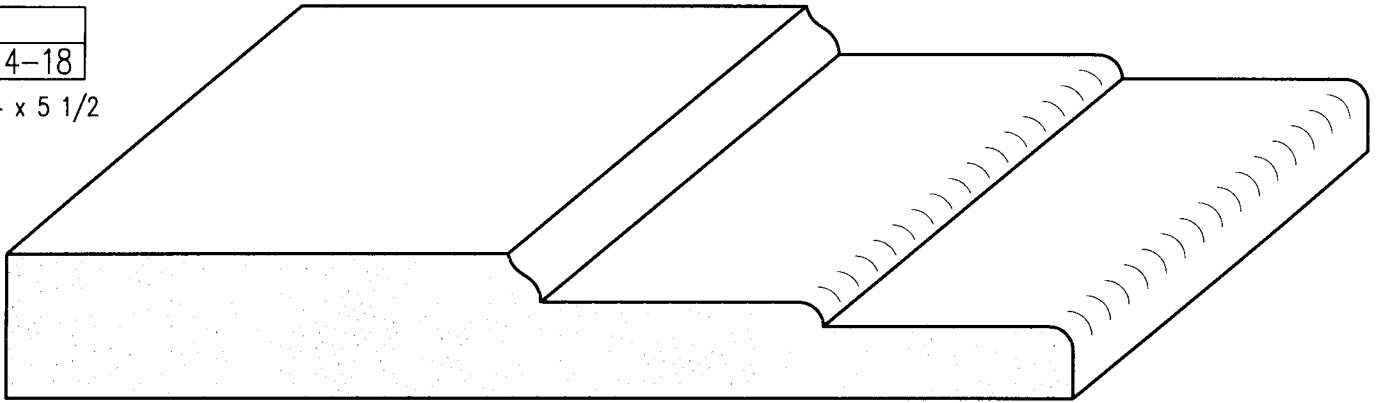
14-54

3/4 x 5 1/2



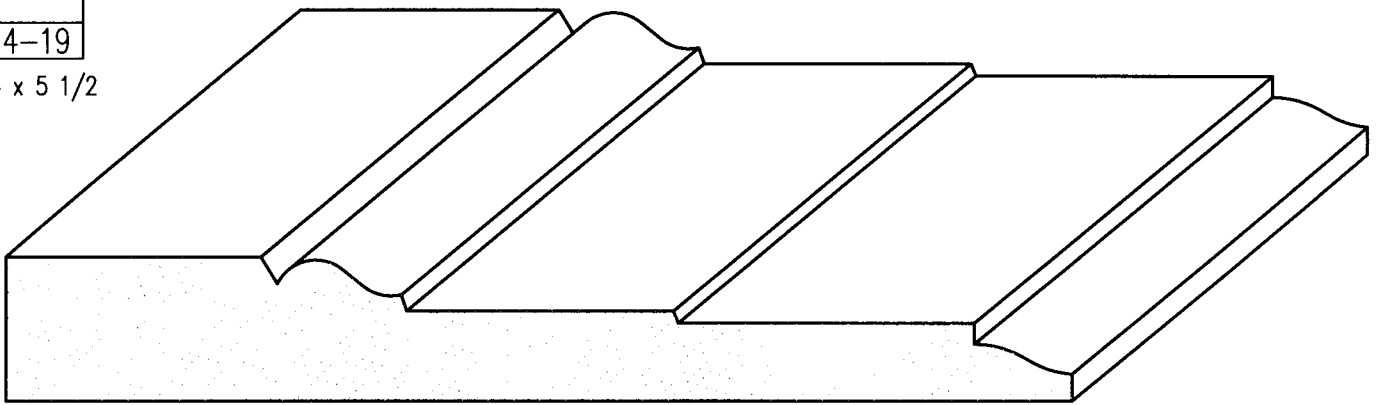
14-18

3/4 x 5 1/2



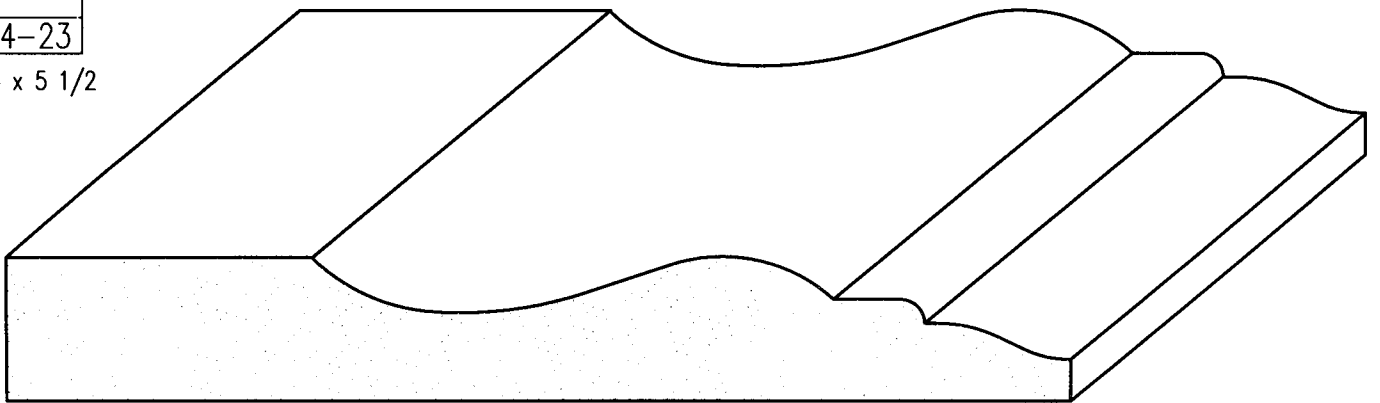
14-19

3/4 x 5 1/2



14-23

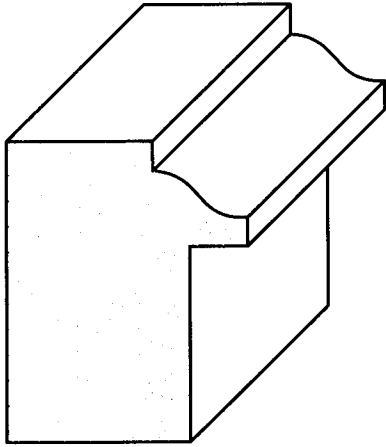
3/4 x 5 1/2



FULL SCALE

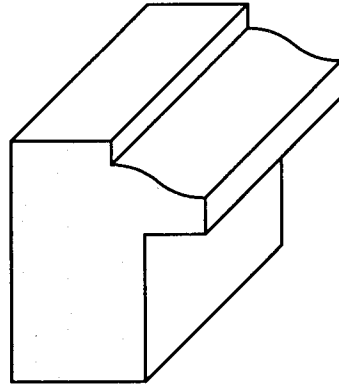
14-34

1 9/16 x 1 1/4



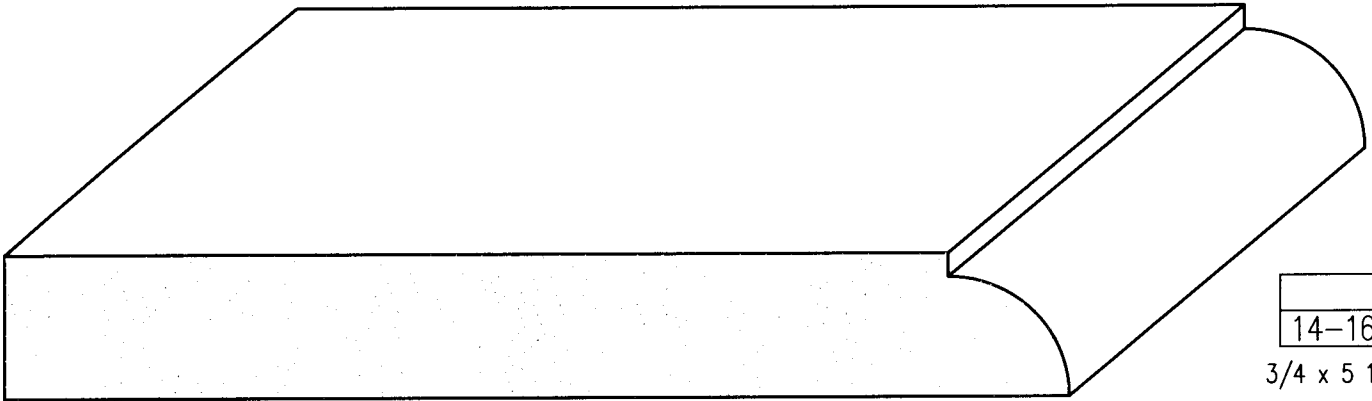
14-33

1 x 1 1/4



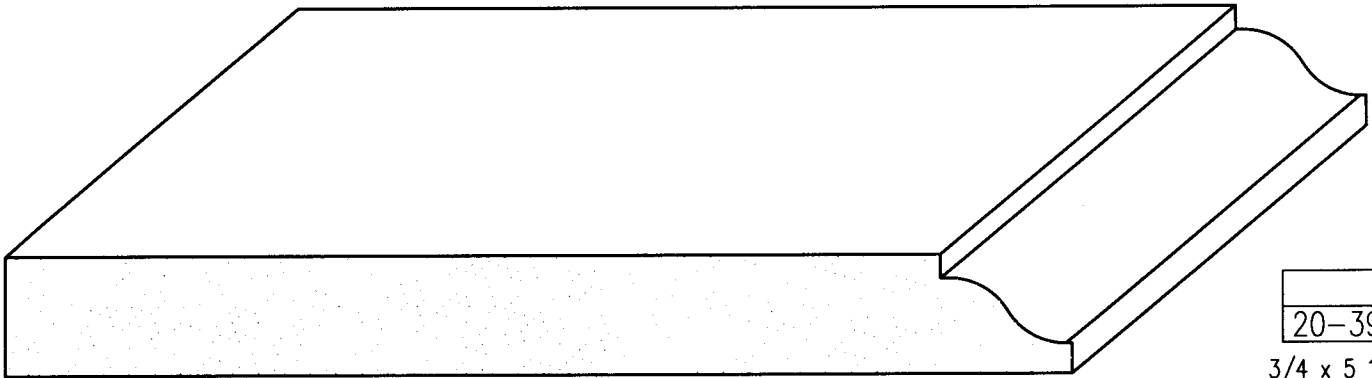
14-16

3/4 x 5 1/2



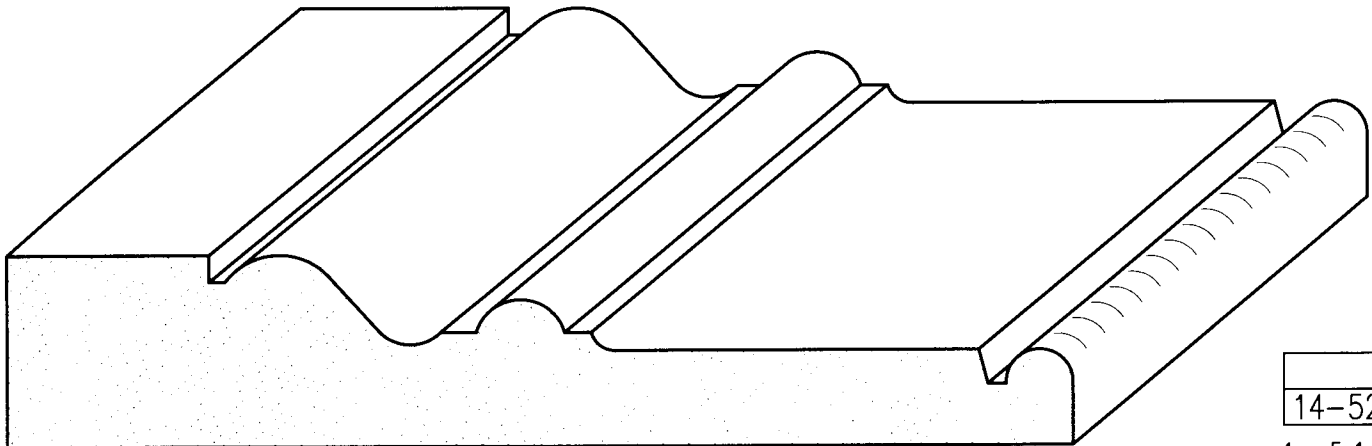
20-39

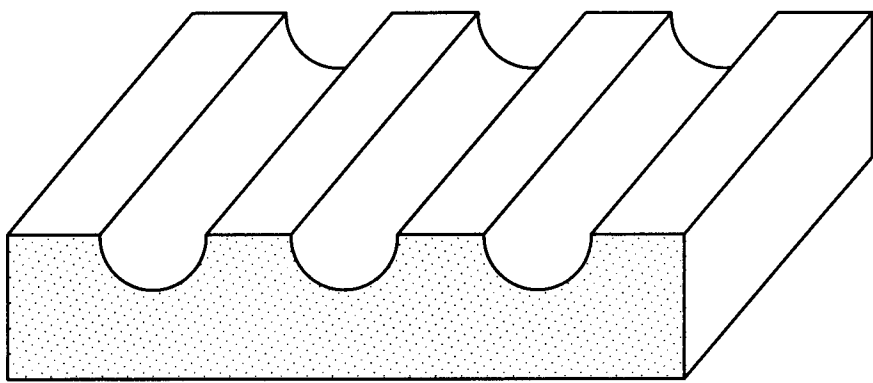
3/4 x 5 1/2



14-52

1 x 5 1/2



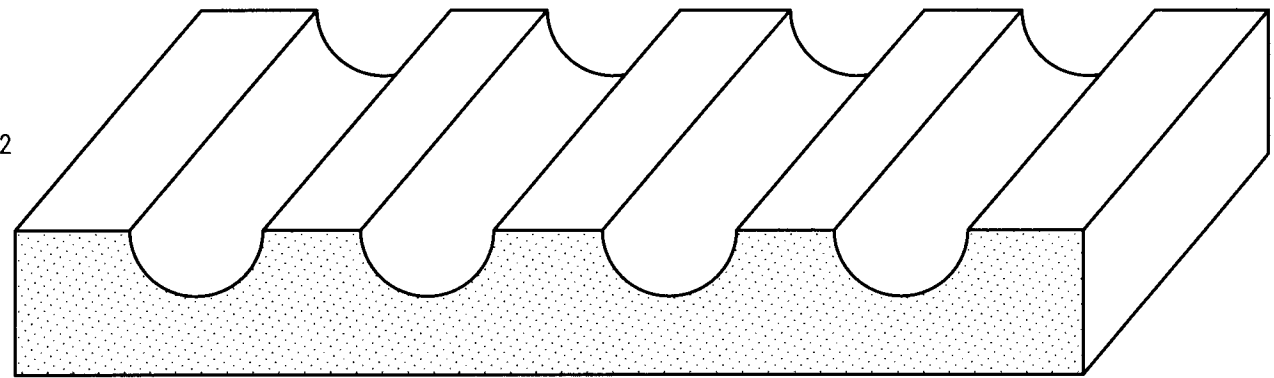


40-8

3/4 x 3 1/2

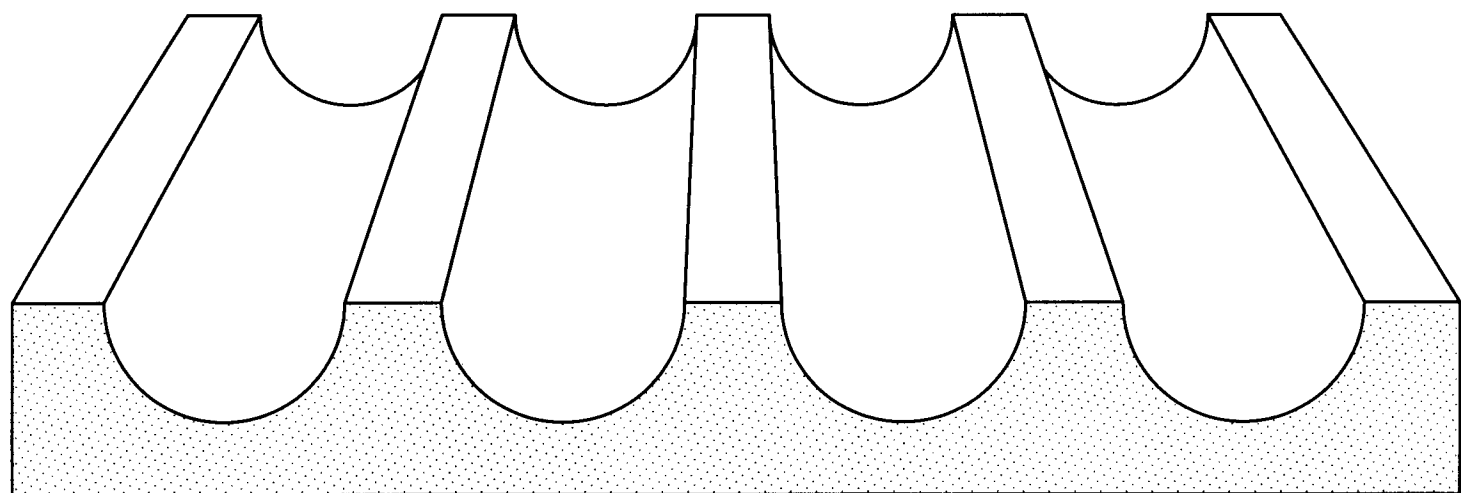
40-5

3/4 x 3 1/2



40-6

1 x 7 1/2

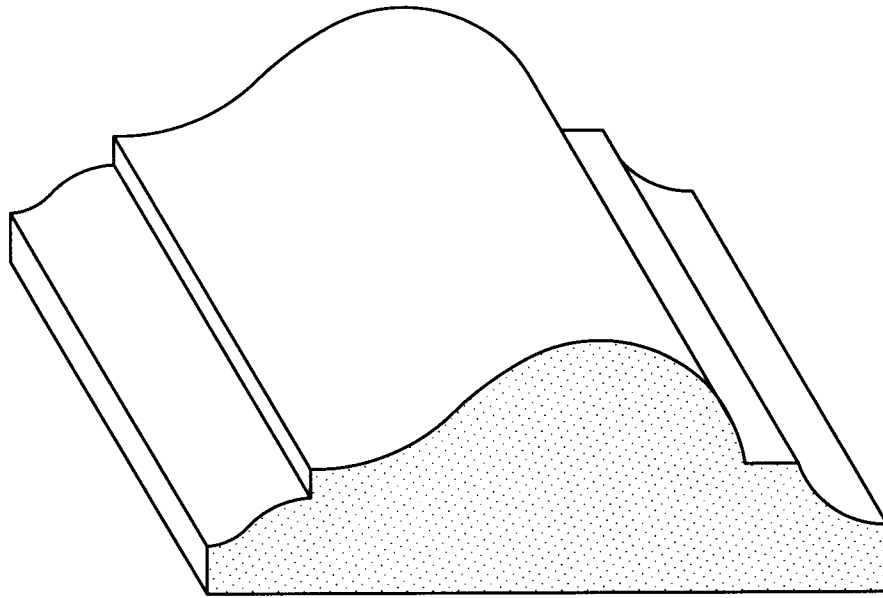


WOOD MOLDINGS

FULL SCALE

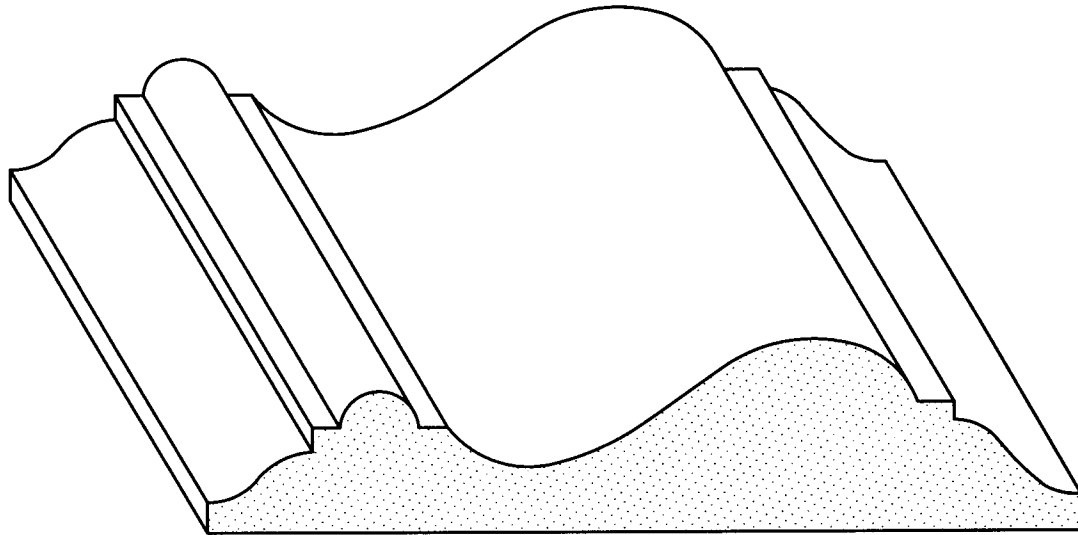
101-33

1 5/16 x 3 1/2



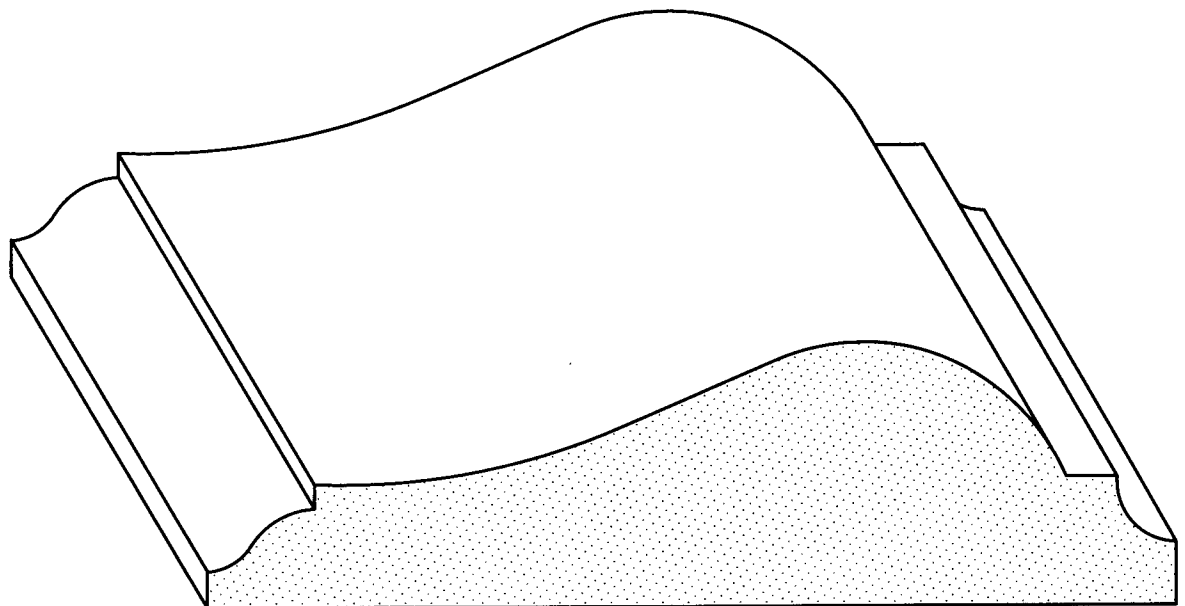
101-34

1 x 4 1/2



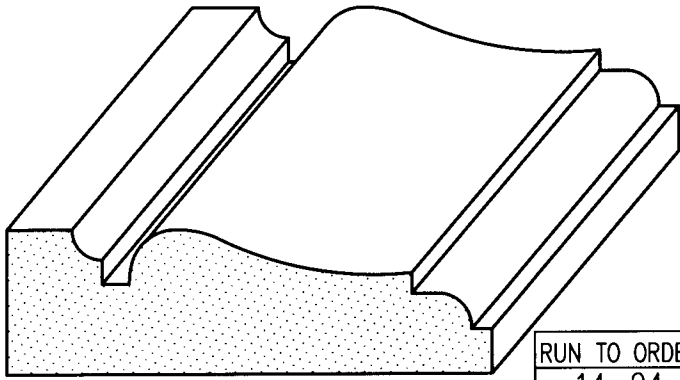
101-30

1 3/8 x 5



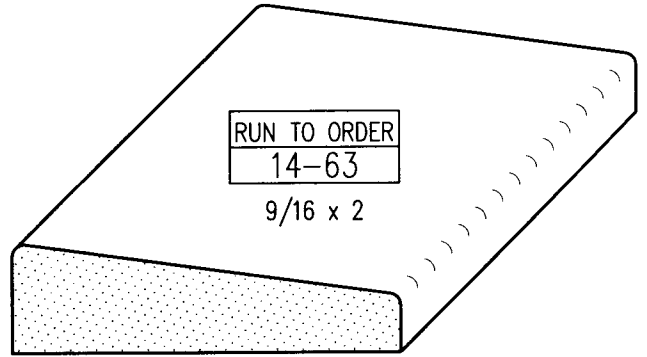
RUN TO ORDER WOOD MOLDINGS

FULL SCALE



RUN TO ORDER
14-24

$3/4 \times 2 \frac{1}{2}$

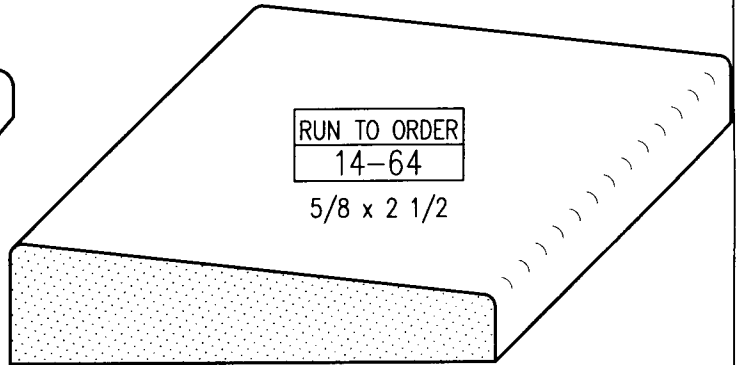
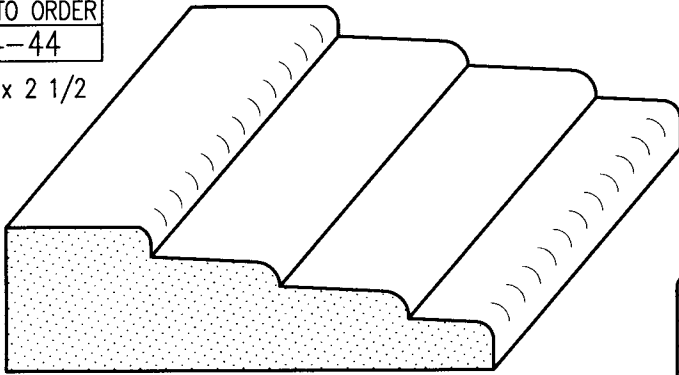


RUN TO ORDER
14-63

$9/16 \times 2$

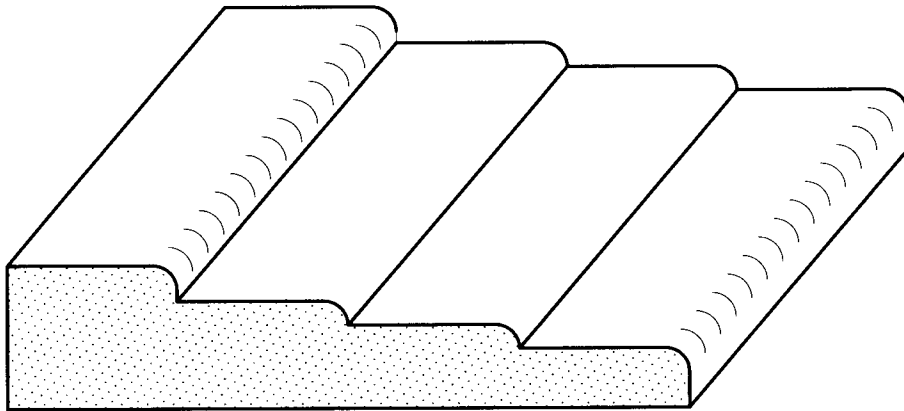
RUN TO ORDER
14-44

$3/4 \times 2 \frac{1}{2}$



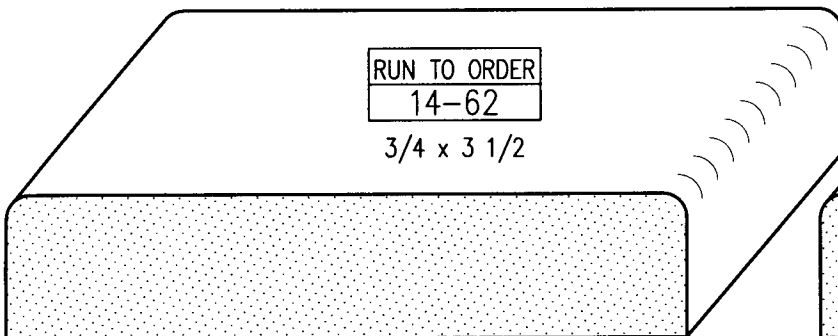
RUN TO ORDER
14-64

$5/8 \times 2 \frac{1}{2}$



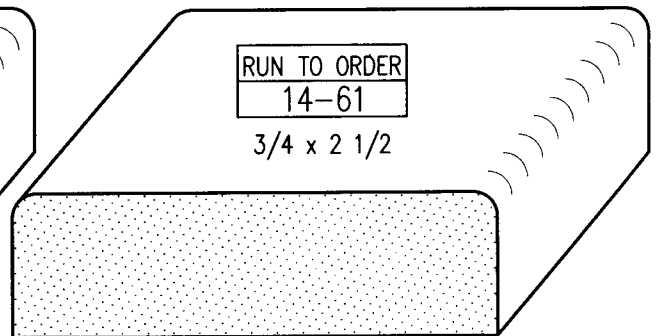
RUN TO ORDER
14-46

$3/4 \times 3 \frac{1}{2}$



RUN TO ORDER
14-62

$3/4 \times 3 \frac{1}{2}$

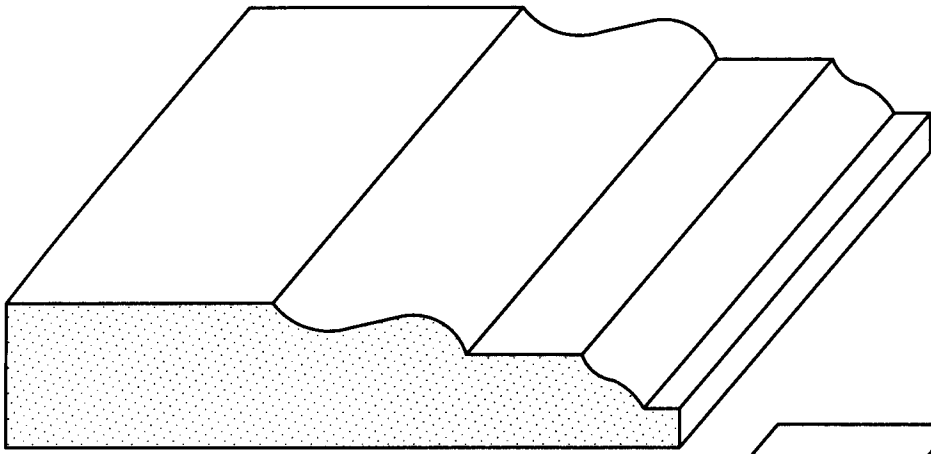


RUN TO ORDER
14-61

$3/4 \times 2 \frac{1}{2}$

RUN TO ORDER WOOD MOLDINGS

FULL SCALE

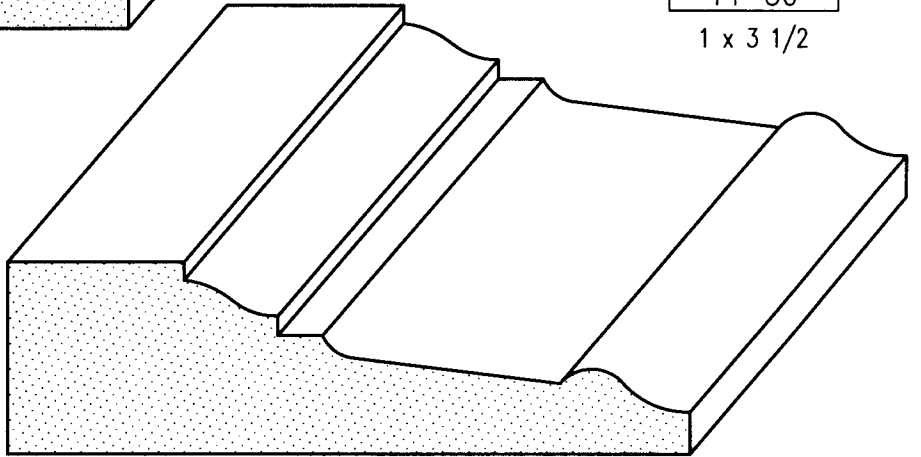


RUN TO ORDER
14-13

3/4 x 3 1/2

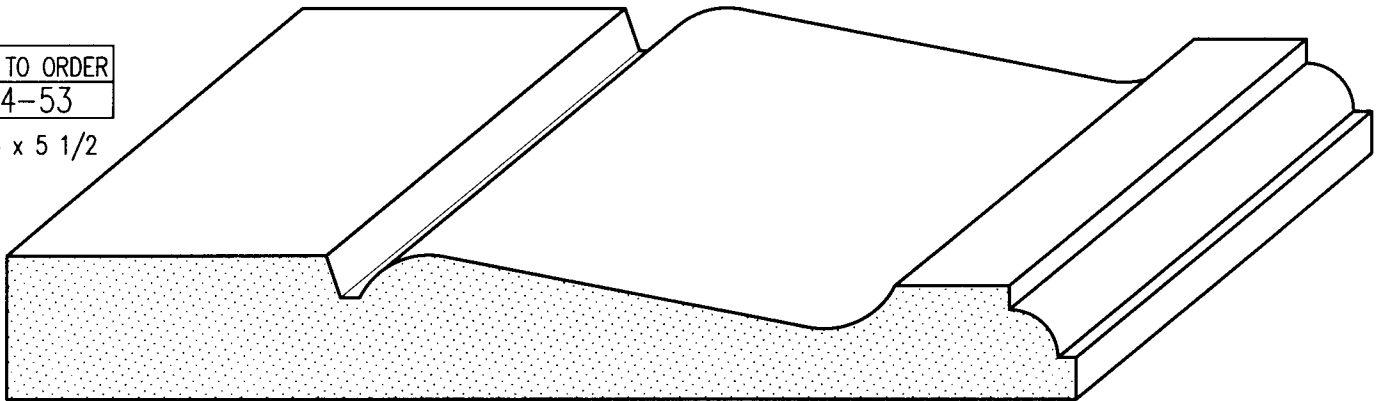
RUN TO ORDER
14-50

1 x 3 1/2



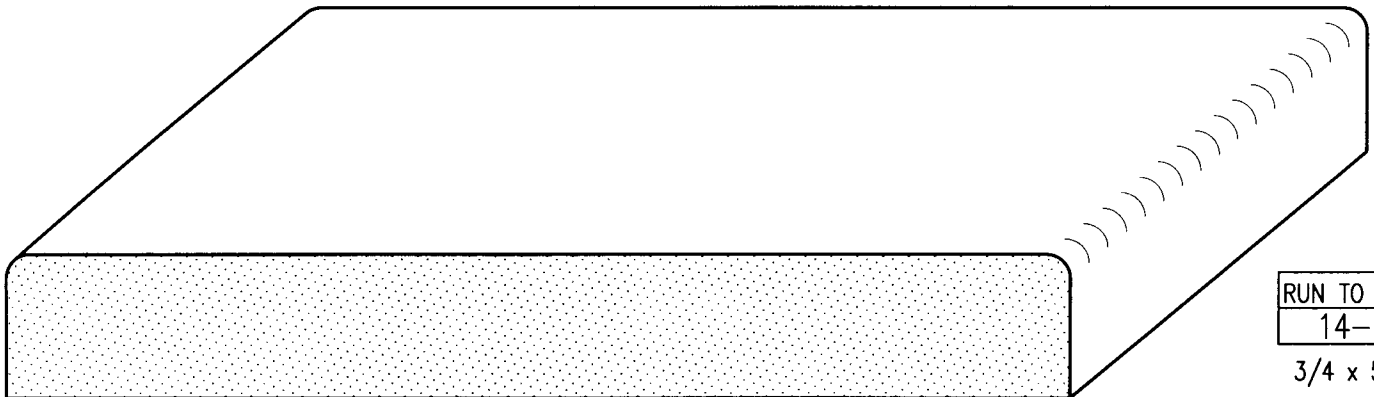
RUN TO ORDER
14-53

3/4 x 5 1/2



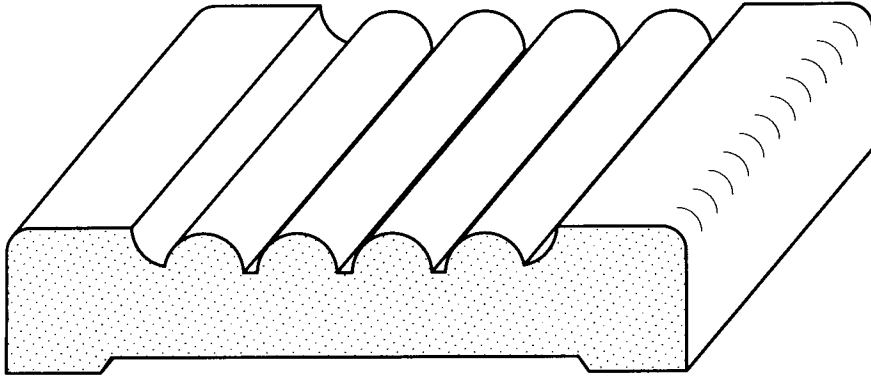
RUN TO ORDER
14-70

3/4 x 5 1/2



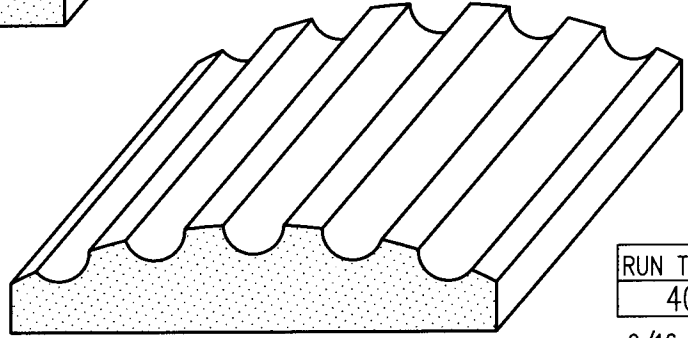
RUN TO ORDER WOOD MOLDINGS

FULL SCALE



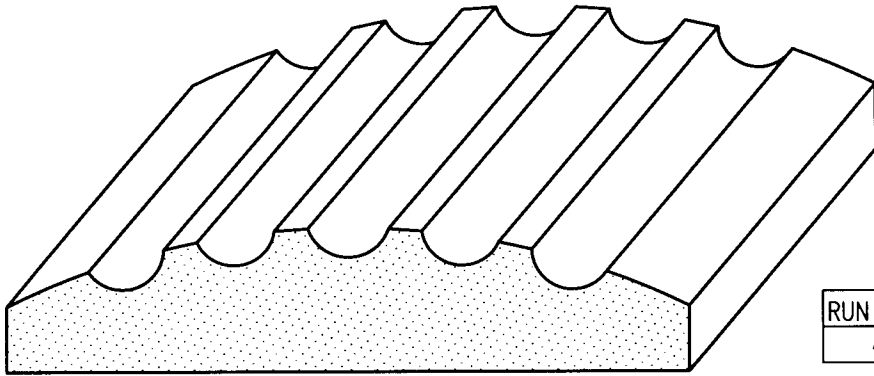
RUN TO ORDER
40-10

$3/4 \times 3 \ 1/2$



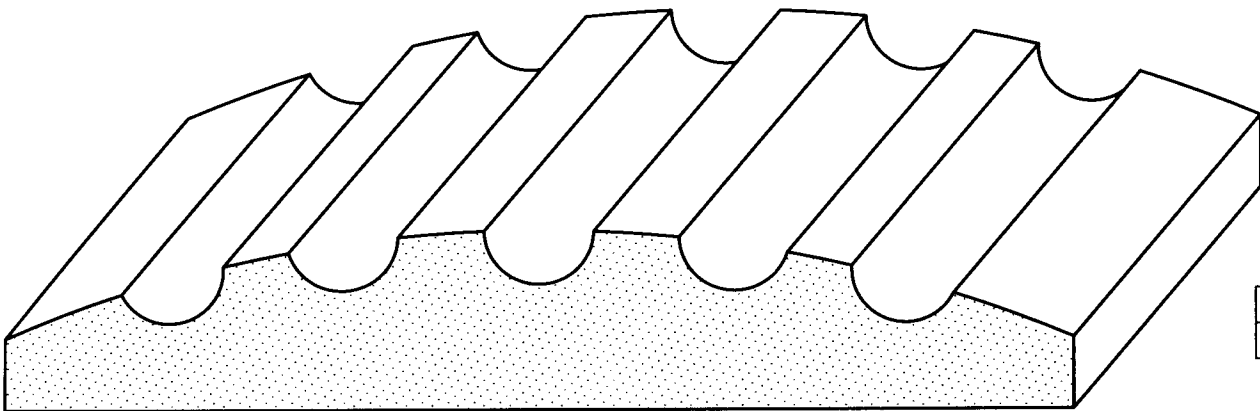
RUN TO ORDER
40-9

$9/16 \times 2 \ 1/2$



RUN TO ORDER
40-3

$3/4 \times 3 \ 1/2$



RUN TO ORDER
40-4

$15/16 \times 5 \ 1/2$