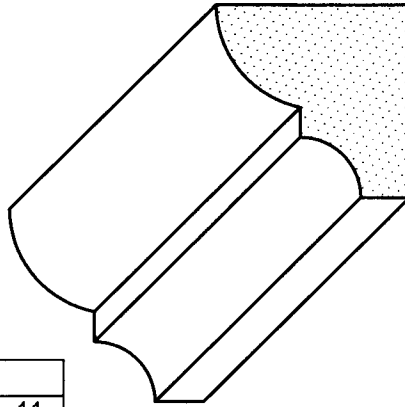
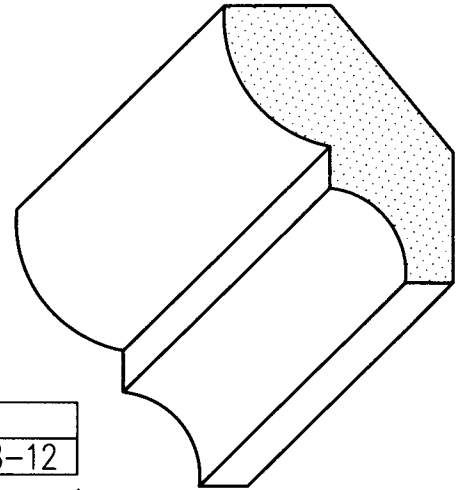


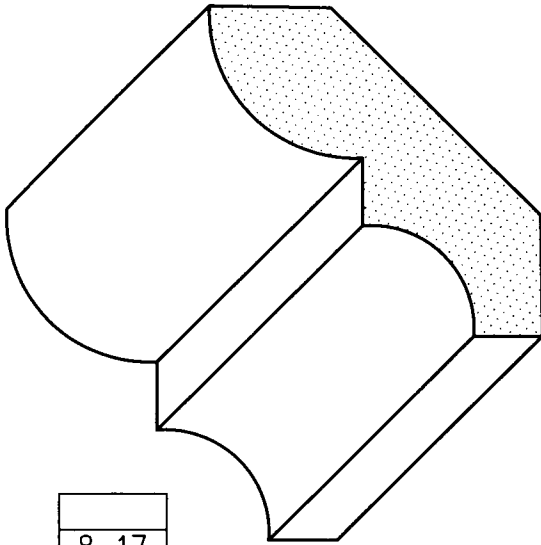
8-10  
3/4 x 3/4



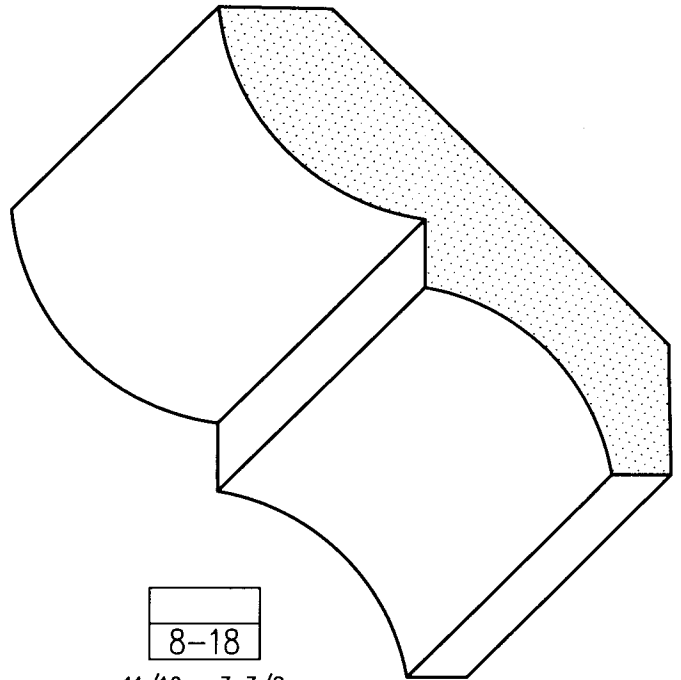
8-11  
1 x 1



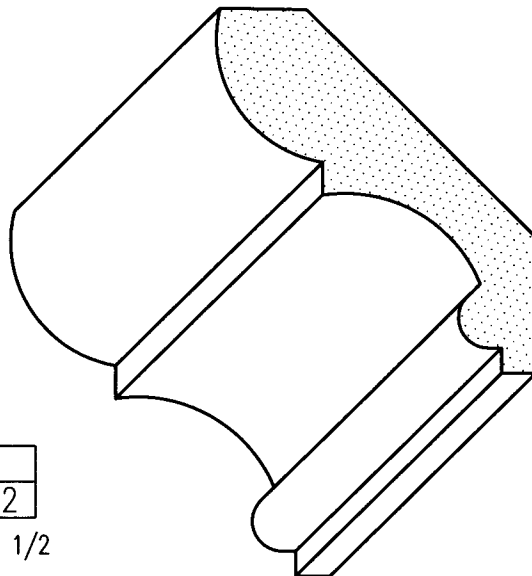
8-12  
5/8 x 1 7/8



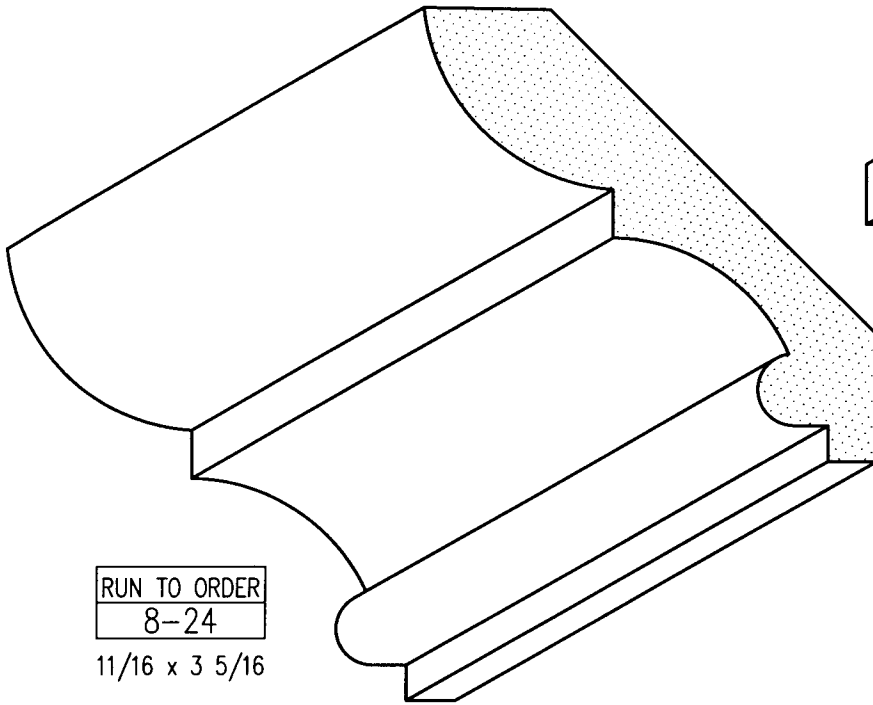
8-17  
11/16 x 2 7/16



8-18  
11/16 x 3 3/8

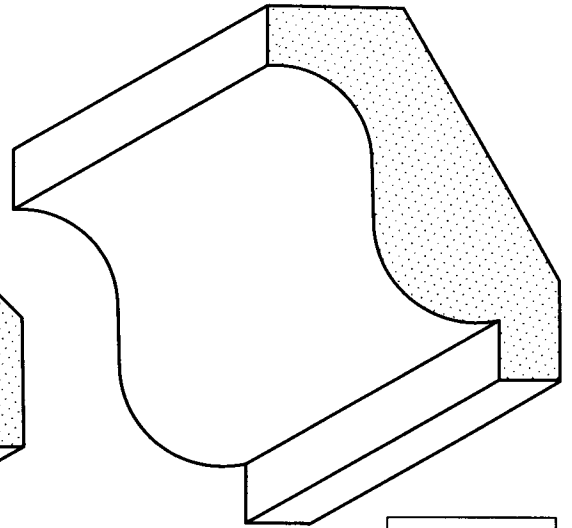


8-22  
5/8 x 2 1/2



RUN TO ORDER  
8-24

$11/16 \times 3 \frac{5}{16}$

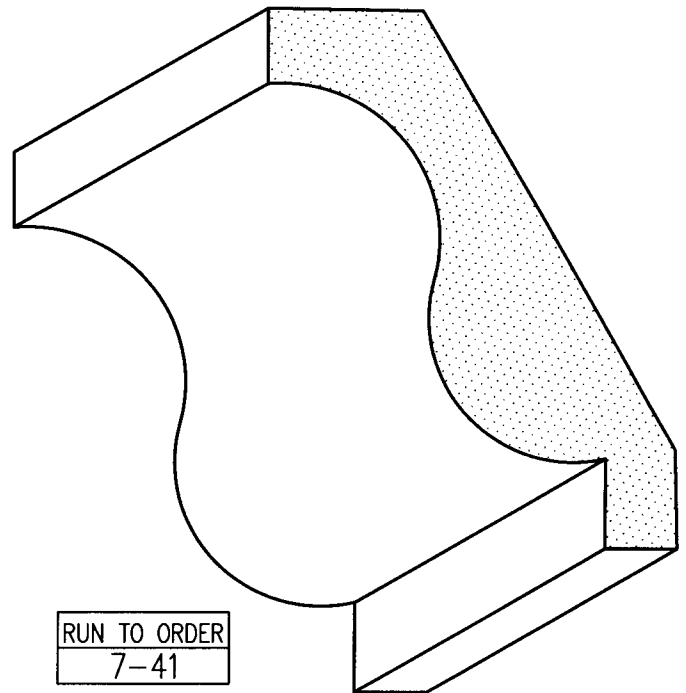
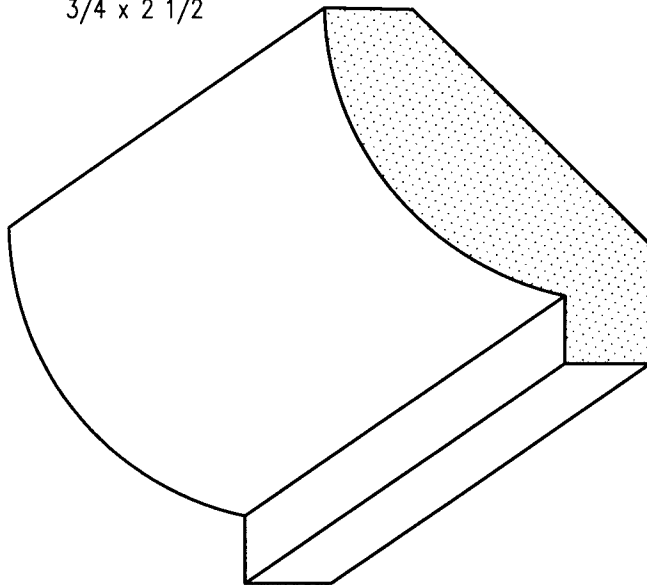


RUN TO ORDER  
7-40

$3/4 \times 2 \frac{7}{16}$

RUN TO ORDER  
8-19

$3/4 \times 2 \frac{1}{2}$



RUN TO ORDER  
7-41

$7/8 \times 3 \frac{1}{2}$