

WHITE BROTHERS MILL

MANUFACTURER OF MOULDING & MILLWORK
Serving the Bay Area Since 1872



White Brothers Mill is a state of the art milling facility based in Oakland, Ca. Our primary focus is custom and stock mouldings, and custom flooring. With our 4 Weinig Moulders we can produce over 20,000 lineal feet of product daily. With our Profile Knife Grinder we can make or match virtually any pattern. We currently have over 2000 knives in inventory. Please keep us in mind for your present and future projects.

Mill Contact: Debbie Bevan
Moulding & Millwork Quoting
Milling & Delivery Scheduling
Work: 510.261.1600
Cell: 925.817.8677
Email: debbie@whitebrothersmill.net

New for "past" SFV Clients
San Francisco Mouldings
www.sanfranciscomouldings.com

White Brothers has purchased all the SFV Profile Knives, and their Large Custom Built 12" Profile Moulder.



WHITE BROTHERS MOULDING & MILLWORK

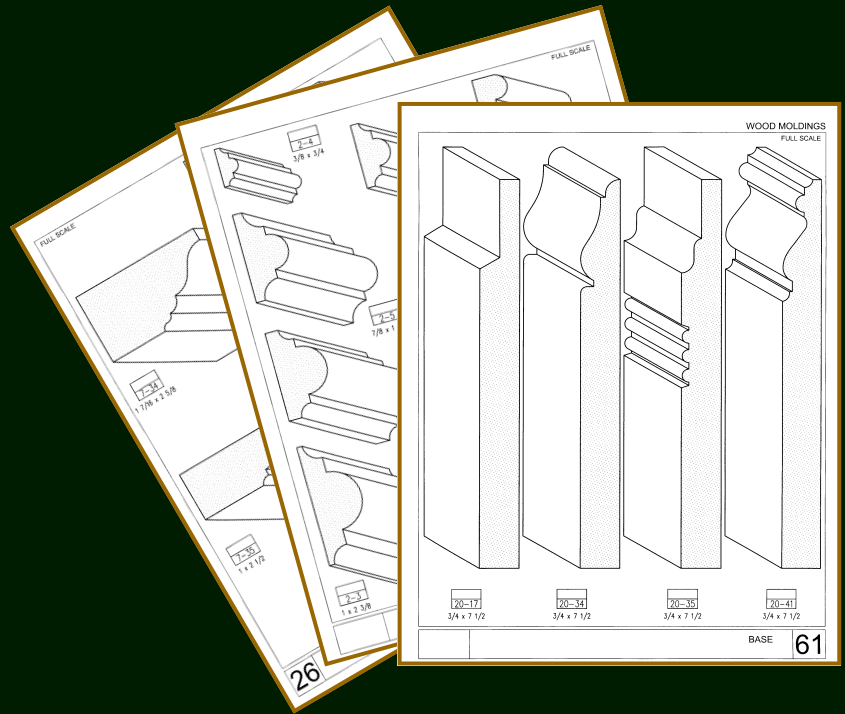
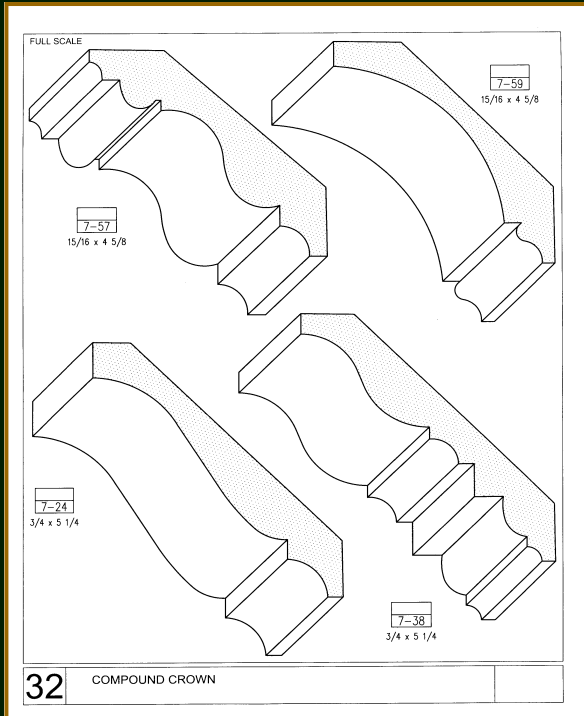
Contact: Debbie Bevan 510.261.1600 debbie@whitebrothersmill.net
WWW.WHITEBROTHERSMILL.COM

San Francisco Mouldings

MILLING OF ALL THE SAN FRANCISCO VICTORIANA PROFILES

MANUFACTURED BY WHITE BROTHERS MILL

WWW.SANFRANCISCOMOULDINGS.COM



San Francisco Mouldings are produced by White Brothers Mill. White Brothers is proud to offer the full line of San Francisco Victoriana Moulding Profiles which have been specified and installed in the San Francisco Bay Area for many decades. While SFV has shut down its operation, White Brothers Mill has purchased all of the Moulding Profile Knives, and also their Custom Built 12" Moulder, which is a welcomed addition to our present 4 Moulders. We are proud to continue the fine quality and service many have come to know. White Brothers has served the San Francisco Bay Area, Since 1872. We look forward to the opportunity to be your source for Quality Moulding and Millwork.

WHITE BROTHERS MOULDING & MILLWORK

Contact: Debbie Bevan 510.261.1600 debbie@whitebrothersmill.net
WWW.WHITEBROTHERSMILL.COM